

# Valore Multi-function Wireless Selfie Stick (AC07)

# VALORE

Thank you for purchasing the Valore Multi-function Wireless Selfie Stick.

Explore different angles and better lighting before you take any photograph with the Valore Multi-function Wireless Selfie Stick. With an in-built rotatable LED light and attached mirror, every moment is clearly captured within frames even when taking a picture with your phone's rear camera.

**Important:** Please read the user manual thoroughly before using your Multi-function Wireless Selfie Stick.

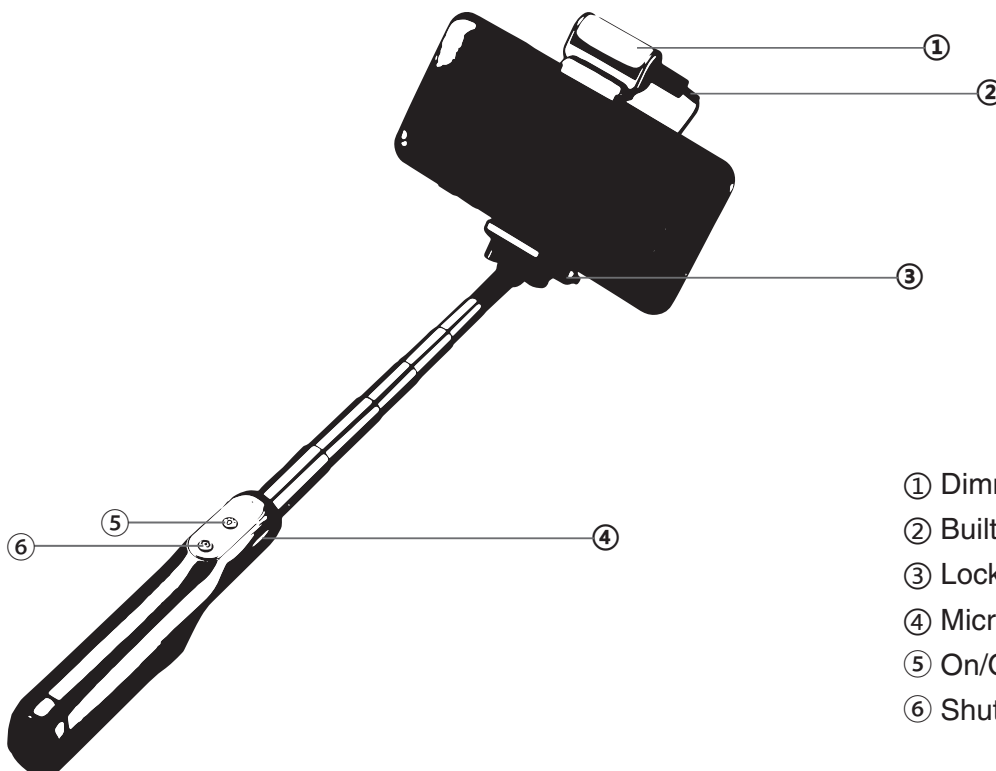
## Specifications:

- Wireless range: 10m
- Connection type: Micro USB port
- Battery type: 2000mAh 18650 battery (built-in)
- Charging time: Approx 3 hours
- Standby time: Up to 4000 hours
- Working time: Up to 24 hours
- Support: Android / iOS
- Power input: 5V/100mAh
- Material: ABS + PC + stainless steel
- Length: 185 - 750mm
- Dimension (L x W x H): 193 x 47 x 43mm
- Weight: 181g

## Package Contents:

- Multi-function Wireless Selfie Stick
- USB cable
- Pouch
- Wrist stripe

## UNDERSTANDING THE PRODUCT



- ① Dimmable 360° rotatable LED light
- ② Built-in Micro USB for LED light
- ③ Lock nut
- ④ Micro USB charging port
- ⑤ On/Off switch
- ⑥ Shutter button

# START USING MULTI-FUNCTIONAL WIRELESS SELFIE STICK

## 1) Charging the selfie stick

Connect your selfie stick to the USB adapter using the provided charging cable. The red LED light will switch on when charging, then LED will go off when the battery is fully charged.

## 2) Bluetooth pairing and connecting

Step 1: Press and hold shutter button until blue LED flashes.

Step 2: Go to your mobile's Bluetooth setting, select 'Valore AC07' under the device list.

To turn off the Bluetooth, press and hold on the shutter button for 3 seconds until the blue LED light goes off to turn off.

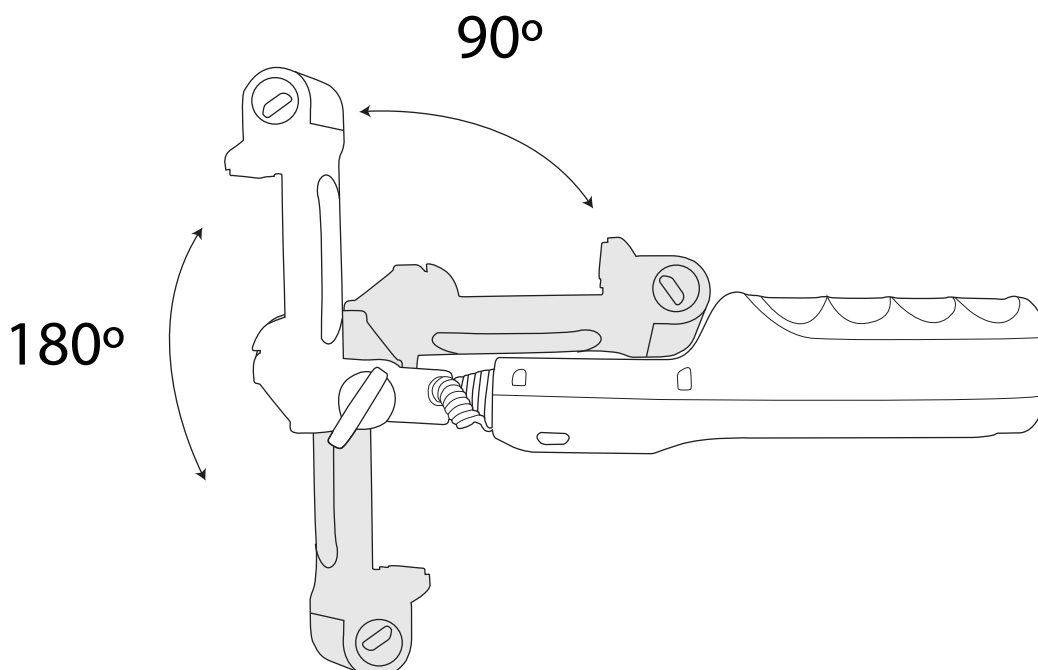
Note: If the pairing is not successful, please turn off selfie first and then re-pair again. After pairing is successful, paired devices will remember each other. Unless pairing information is deleted because of new pairing, no need to pair when using the next time. If you want to pair the selfie stick with other devices, please turn off Bluetooth function of existing source device, and pair the selfie stick with the new device according to steps mentioned above.

## 3) Dimmable 360° rotatable LED light

The LED light has 3 brightness settings. Plug in the built-in Micro USB cable attached to the selfie stick into the micro USB port located beside the LED light. Short press the On/Off switch to turn on the LED. Short press again to change the brightness of the LED light.

## 4) Adjust the retractable handle

Turn the mobile phone clamp upward by 90° or downward by 180° to your desired angle. Clamp on your mobile phone, and click away by short pressing the camera icon shutter button.



## TECHNICAL SUPPORT & WARRANTY

- For Technical Support, email us at [v.info@valore.sg](mailto:v.info@valore.sg).
- For Warranty Registration, visit [www.valore.sg](http://www.valore.sg).

### Cautions:

Read all the instructions and warnings carefully prior to using this product.

- Do not store the product in a high temperature environment.
- Do not place the product near a fire or other excessively hot environments.
- Do not expose the product to moisture or submerge it in liquid. Keep product dry at all times.
- Do not attempt to charge the product using any other method or connection other than the product's provided charging cable.
- Do not disassemble this product or attempt to repair or modify it in any manner.
- Battery usage by children should be supervised
- Be cautious of excessive drops, bumps, abrasions or other impacts to this product. If there is any damage to the product such as dents, punctures, tears, deformities or corrosion, stop using the product and contact us immediately via email at [v.info@valore.sg](mailto:v.info@valore.sg), or return this product to the store where you have purchased it from.
- If the product produces an abnormal smell, high temperature (low temperature during normal use), discolours or changes shape abnormally, stop using the product and contact us immediately via email at [v.info@valore.sg](mailto:v.info@valore.sg).

### DISCLAIMER & TRADEMARKS

All information, trademarks, logos, graphics, and images ("Materials") provided on this user manual are copyrighted or trademarked and are the property of Valore Lifestyle Pte Ltd. Any unauthorized use of any material contained on the instruction manual may violate copyright laws, trademark laws, laws of privacy and communications statutes. The trademarks, service marks and logos used and displayed in the Materials are registered and unregistered trademarks and service marks of Valore and others. All other registered and unregistered company names, product names and marks mentioned herein the ("Materials") are the property of their respective owners and may be trademarks or registered trademarks.

Complies with  
IDA standards  
DA 103331

Android is a trademark of Google Inc.

IOS is a trademark or registered trademark of Cisco in the U.S. and other countries and is used under license.



Inspired by Valore Singapore

For full range of Valore products visit [www.valore.sg](http://www.valore.sg)