

Valore 3-in-1 Fast Wireless Charging Pad (AC100)

VALORE

Thank you for purchasing the Valore 3-in-1 Fast Wireless Charging Pad (AC100)

- Dual charging coil
- Charge 2 devices simultaneously
- Detachable charging stand & charging pad

Important: Please read the user manual thoroughly before using your Wireless Charging Pad

Specifications:

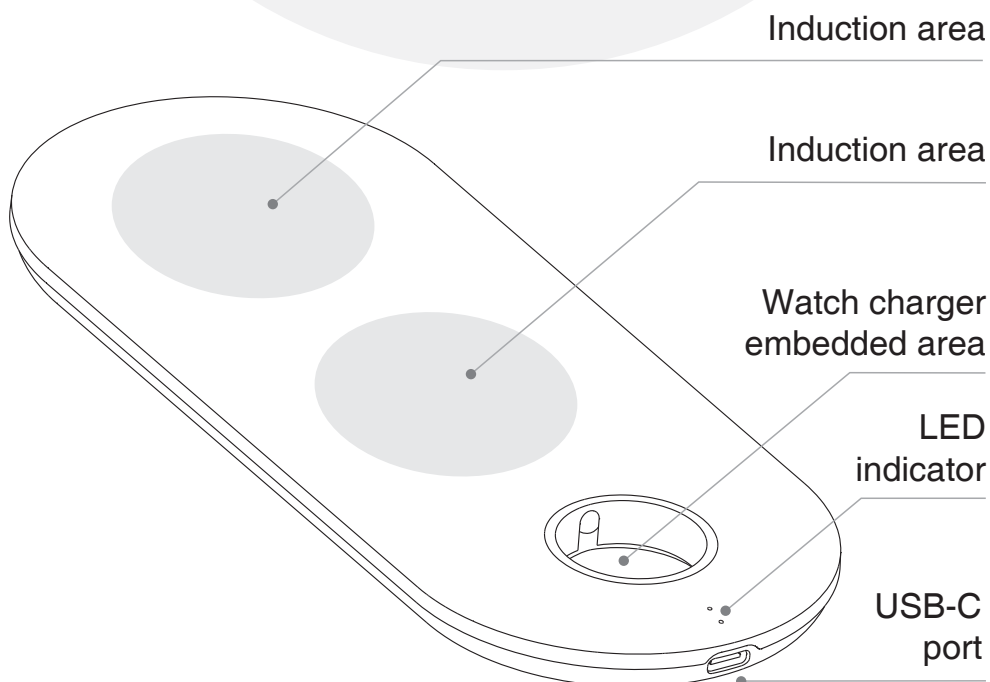
- Charge 3 devices simultaneously
- 10W + 10W + 2.5W[^] maximum output
- Compatible with original Apple Watch magnetic charger

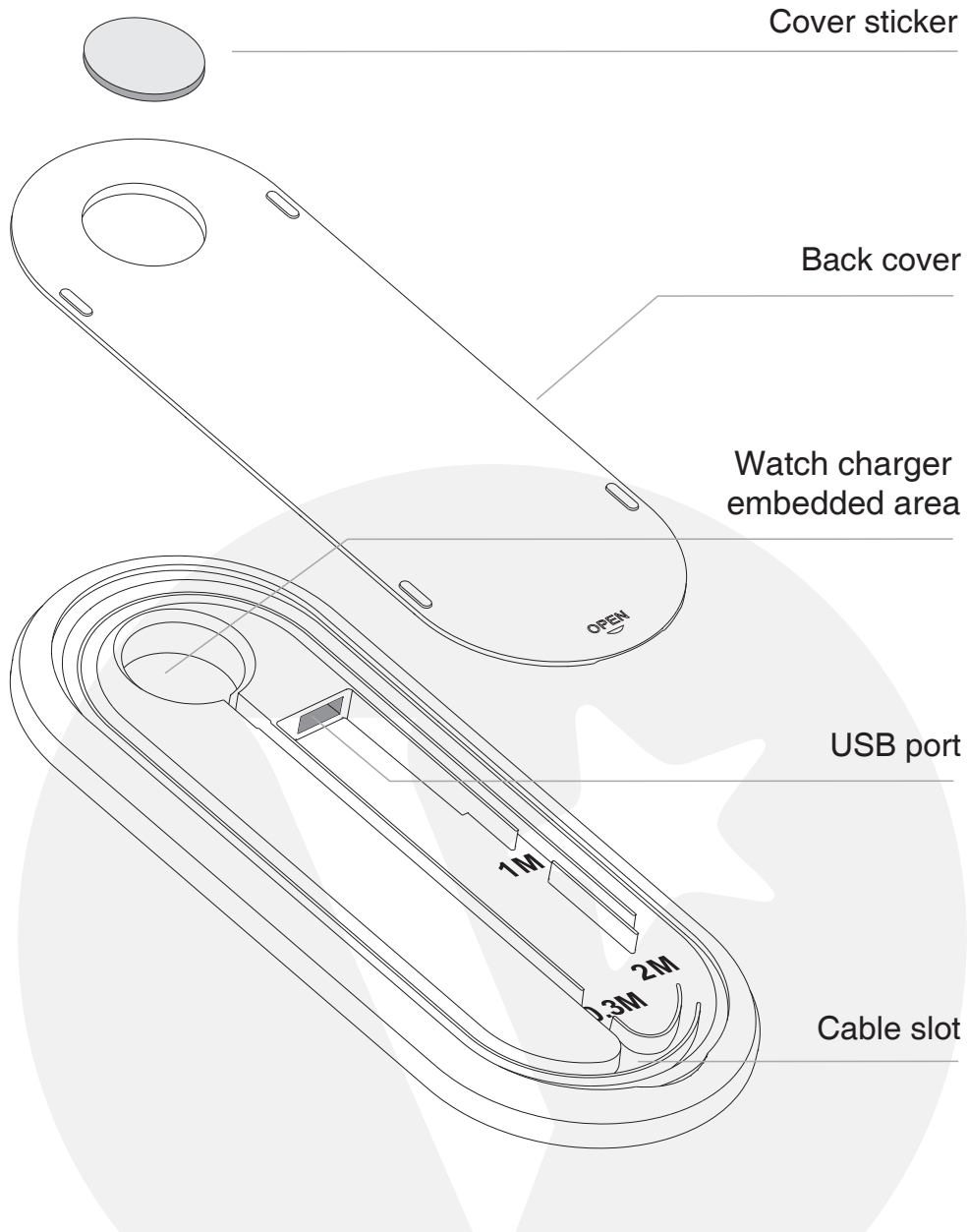
[^]Apple Watch magnetic charger

Package Contents:

- 3-in-1 fast wireless charging pad
- USB-C cable
- Cover sticker

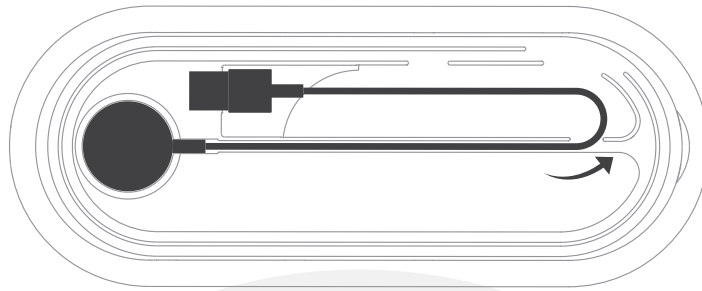
UNDERSTANDING THE PRODUCT





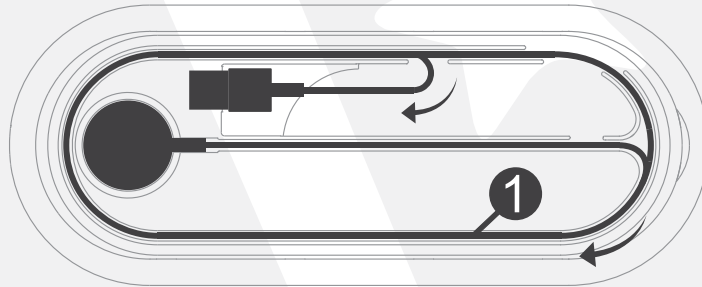
Apple Watch charger installation steps

1. Please use original Apple watch charger with the cable length of 0.3m, 1m or 2m.
2. Open the back cover from the "Open" sign.
3. Wind up the watch charger cable in the slot according to the image below.
4. Put the charger cable in order and make sure the cover can be closed smoothly.
5. Peel off the sticker and stick cover sticker on the backside of the embedded watch charger.



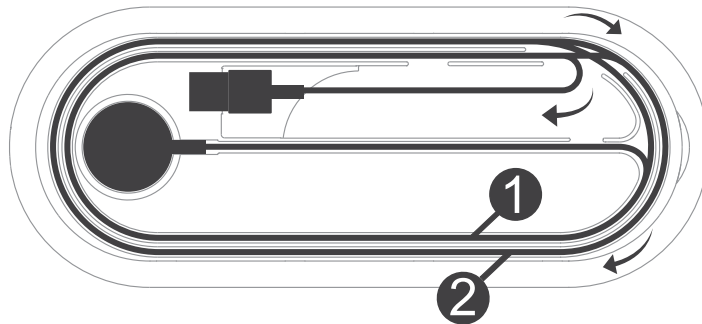
0.3m original Apple watch charger

Place the Apple watch charger in the opening, wind up the cable in the slot as instructed and then plug in the USB port.



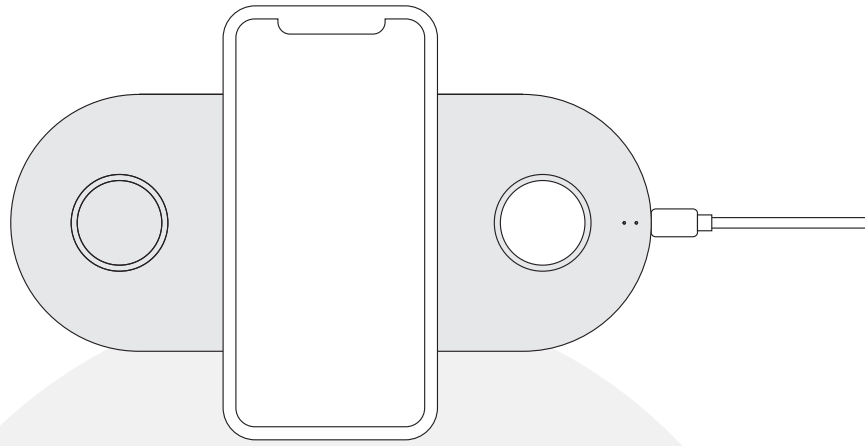
1m original Apple watch charger

Place the Apple watch charger in the opening, wind up the cable in the slot as instructed (one and a half loops) and then plug in the USB port.

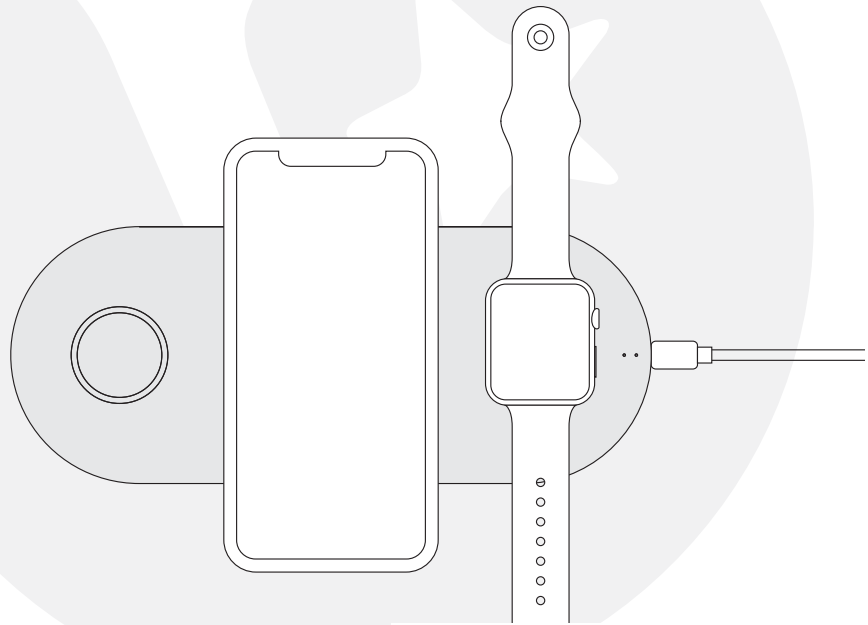


2m original Apple watch charger

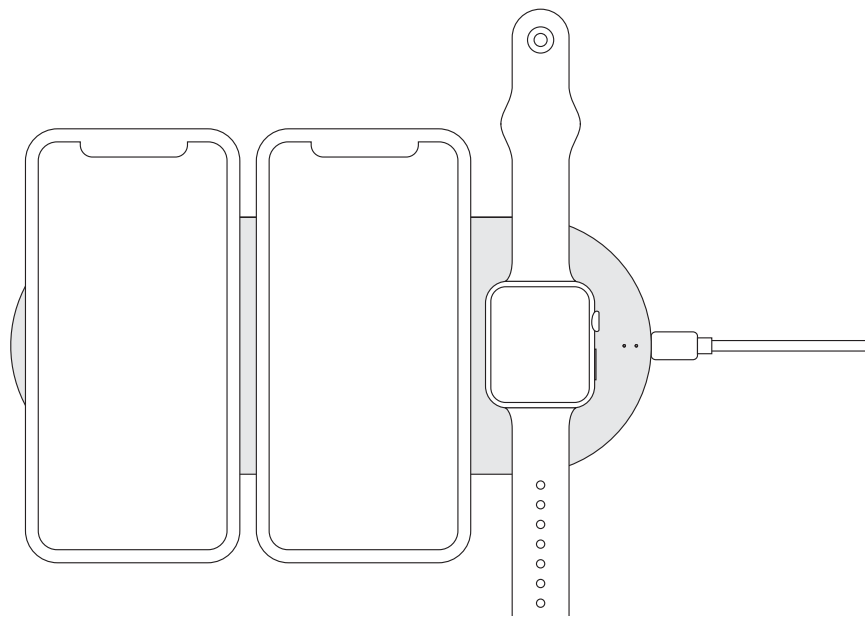
Place the Apple watch charger in the opening, wind up the cable in the slot as instructed and then plug in the USB port.



Smartphone wireless charging



Smartphone and Watch wireless charging



Two smartphones and Apple watch
wireless charging simultaneously

TECHNICAL SUPPORT & WARRANTY

- For Technical Support, email us at v.info@valore.sg.
- For Warranty Registration, visit www.valore.sg.

Cautions:

Read all the instructions and warnings carefully prior to using this product.

- Do not store the product in a high temperature environment.
- Do not place the product near a fire or other excessively hot environments.
- Do not expose the product to moisture or submerge it in liquid. Keep product dry at all times.
- Do not attempt to charge the product using any other method or connection other than the product's provided charging cable.
- Do not disassemble this product or attempt to repair or modify it in any manner.
- Battery usage by children should be supervised
- Be cautious of excessive drops, bumps, abrasions or other impacts to this product. If there is any damage to the product such as dents, punctures, tears, deformities or corrosion, stop using the product and contact us immediately via email at v.info@valore.sg, or return this product to the store where you have purchased it from.
- If the product produces an abnormal smell, high temperature (low temperature during normal use), discolours or changes shape abnormally, stop using the product and contact us immediately via email at v.info@valore.sg.

DISCLAIMER & TRADEMARKS

All information, trademarks, logos, graphics, and images ("Materials") provided on this user manual are copyrighted or trademarked and are the property of Valore Lifestyle Pte Ltd. Any unauthorized use of any material contained on the instruction manual may violate copyright laws, trademark laws, laws of privacy and communications statutes. The trademarks, service marks and logos used and displayed in the Materials are registered and unregistered trademarks and service marks of Valore and others. All other registered and unregistered company names, product names and marks mentioned herein the ("Materials") are the property of their respective owners and may be trademarks or registered trademarks.

Complies with
IMDA Standards
DA102803



Inspired by Valore Singapore

For full range of Valore products visit www.valore.sg