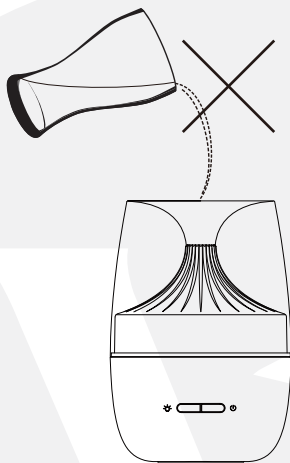


Thank you for purchasing Valore Aroma Diffuser (AC109).

**WARNING: DO NOT POUR THE WATER ON SPRAY HOLE DIRECTLY OR ELSE IT WILL DAMAGE THE PRODUCT**



Important: Please read the user manual thoroughly before using your Valore Aroma Diffuser.

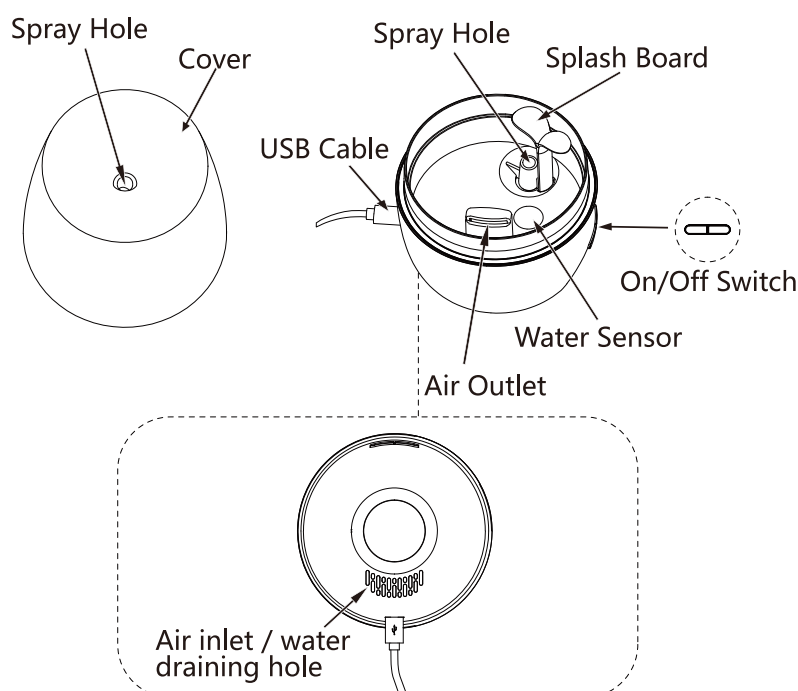
## Specifications:

- Capacity: 130ml
- Mist: 15ml/hr
- Input: 5V/1A
- Dimensions (L x W x H): 107 x 107 x 152mm

## Package Contents:

- Aroma diffuser
- USB cable

## UNDERSTANDING THE PRODUCT

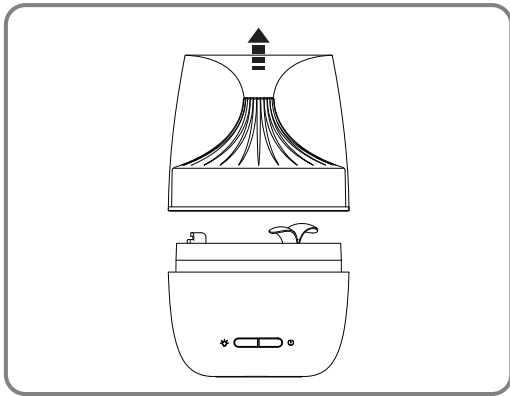


# START USING THE VALORE ARMOA DIFFUSER

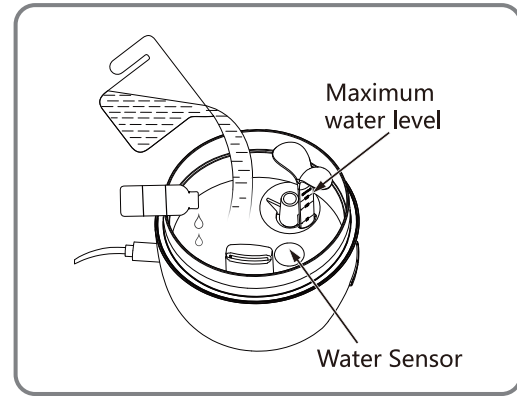
1. Open the cover and add moderate water. The water line shall reach over the water sensor and below the max water level line. After that, you may put in a few drops of essential oil.
2. Connect the USB cord with any USB power source.
3. Once the power is connected, the diffuser will have a flash yellow light to indicate that the power is connected, and the diffuser will be on standby.
4. Press the spray button once to switch on the continuous spraying mode, or twice to switch to the intermittent spray mode. Press one more time to switch the diffuser to standby mode.
5. Press the light button once to switch to warm light, or twice to switch on the seven colours. Press one more time to turn the lights off.

## Note:

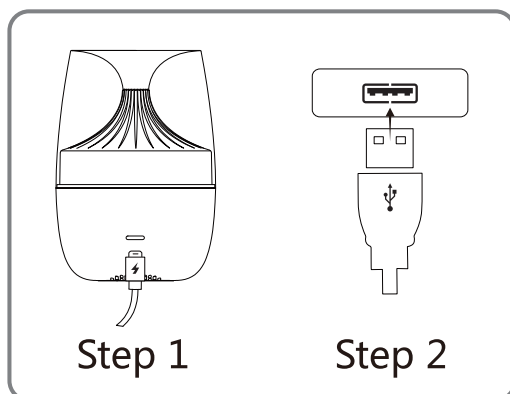
- Please do not remove the splash board while adding the water into the diffuser, in case the amount of water exceeds the maximum water level.
- When the water runs out (While the water is lower than the water sensor), the spray function will stopped automatically. There will be a red light flashing five times to indicate the water shortage, and the diffuser will be switched to standby mode.



Pull up the cover



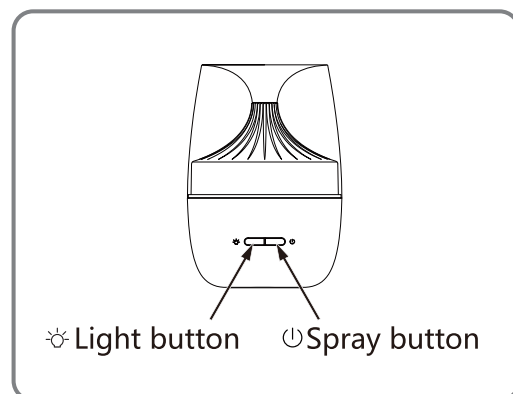
Add in water and essential oil



Step 1

Step 2

Connect to power supply



Light button

Spray button

Setup spray function and light

## RECOMMENDED MEASUREMENTS AND DURATION

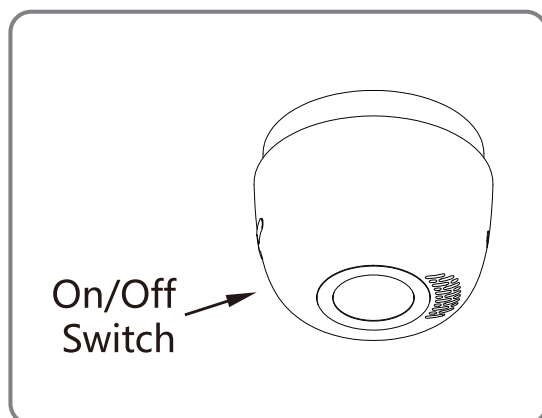
Space	Volume	Drops suggestion	Duration
10-20m <sup>2</sup>	50ml	1-2drops	0.5h-1h
10-20m <sup>2</sup>	100ml	2-4drops	1h-2h
10-20m <sup>2</sup>	130ml	4-6drops	2h-3h

## WARNING AND PRECAUTION

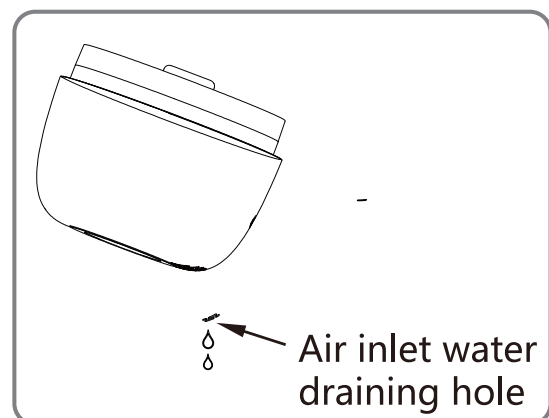
1. The diffuser must use the correct power supply (Make sure the power supply is 5V/1A)
2. Do not add water into the spray hole directly.
3. Diffuser spray is slightly different between individuals, as this is a normal phenomenon. Different type of water, humidity, temperature and wind direction will affect the fog coming from the diffuser.
4. When the water runs out (While the water is lower than the water sensor), the spray function will stopped automatically. There will be a red light flashing five times to indicate the water shortage, while the light function will still remains normal.
5. You can't use corrosive liquids, otherwise it will damage the diffuser.
- 6, To replace with another essential oil, please follow the cleaning tips to clean the product before use.

## LEAKAGE AND MAINTAINCE

Please do the following if the diffuser leaked accidentally:

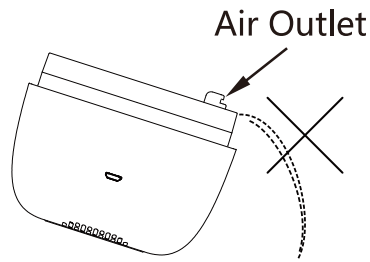


Switch off the diffuser and pour out the remaining water without touching the power cord



Lean the diffuser and dry the inlet, then store it in a dry place and let it automatic air dry for 24 hours

**WARNING: DO NOT POUR THE WATER OUT FROM THE AIR OUTLET IN ORDR TO AVOID THE WATER TOUCHES THE CIRCUIT BOARD**



For cleaning the diffuser, please do the following:

1. Turn off the diffuser and remove the cover, then start pouring out all the water to proceed cleaning.
2. To clean the atomizer plate, please use cotton stick to clean the surface with dilute natural detergent, then rinse with clean water.
3. To clean the splash board, pull out the splashboard and use the cotton stick to clean the surface with diluted natural detergent, then rinse with clean water.
4. Use soft cloth to clean the surface of the diffuser. Do not use medical diluent, phenethyl alcohol or so on to clean the diffuser, otherwise it will discolour the diffuser.
5. Please unplug the power cord, clean up the diffuser and store it in a dry place if the product is not being used for a long period of time.

Please follow these steps if the machine stopped working:

<b>UNABLE TO SWITCH ON THE DIFFUSER</b>	Check if the USB cable is connected with the power plug. To check if the power go through the power plug, you can unplug and replug it again.
<b>POWER ON (YELLOW LIGHT FLASH ONCE) BUT NO MIST</b>	<ol style="list-style-type: none"><li>1. Make sure that the water volume reached the minimum water level.</li><li>2. Check if there are any dirt on the ultrasonic atomizer plate.</li><li>3. Check if there are blockage on the mist hole.</li><li>4. Check if there are dirt/dust on the air-inlet.</li></ol>

## TECHNICAL SUPPORT & WARRANTY

- For Technical Support, email us at [v.info@valore.sg](mailto:v.info@valore.sg).
- For Warranty Registration, visit [www.valore.sg](http://www.valore.sg).

### Cautions:

Read all the instructions and warnings carefully prior to using this product.

- Do not store the product in a high temperature environment.
- Do not place the product near a fire or other excessively hot environments.
- Do not expose this product to moisture or submerge it in liquid. Keep product dry at all times.
- Do not attempt to charge the product using any other method or connection other than the product's provided charging cable.
- Do not disassemble this product or attempt to repair or modify it in any manner.
- Be cautious of excessive drops, bumps, abrasions or other impacts to this product. If there is any damage to the product such as dents, punctures, tears, deformities or corrosion, stop using the product and contact us immediately via email at [v.info@valore.sg](mailto:v.info@valore.sg), or return this product to the store where you have purchased it from.
- If the product produces an abnormal smell, high temperature (low temperature during normal use), discolours or changes shape abnormally, stop using the product and contact us immediately via email at [v.info@valore.sg](mailto:v.info@valore.sg).

### DISCLAIMER & TRADEMARKS

All information, trademarks, logos, graphics, and images ("Materials") provided on this user manual are copyrighted or trademarked and are the property of Challenger Technologies Limited. Any unauthorized use of any material contained on the instruction manual may violate copyright laws, trademark laws, laws of privacy and communications statutes.

The trademarks, service marks and logos used and displayed in the Materials are registered and unregistered trademarks and service marks of Valore and others. All other registered and unregistered company names, product names and marks mentioned herein the ("Materials") are the property of their respective owners and may be trademarks or registered trademarks.



Inspired by Valore Singapore

For full range of Valore products visit [www.valore.sg](http://www.valore.sg)