

Valore Wireless Selfie/Tripod with Stabiliser (AC131)

VALORE

Thank you for purchasing the Valore Wireless Selfie/Tripod with Stabiliser (AC131).

- Single axis stabiliser and built-in tripod ensures consistently stable footage
- Sturdy and durable aluminium telescopic pole even when fully extended
- For Video Calls & Live Streaming
- Removable shutter control

Important: Please read the user manual thoroughly before using your Wireless Selfie/Tripod with Stabiliser.

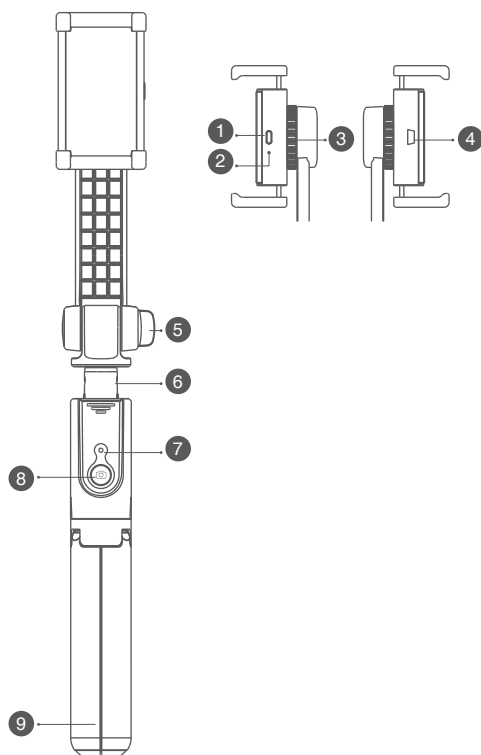
Specifications:

- Wireless range: Up to 10m
- Battery capacity:
 - 65mAh Li-ion Polymer (Remote)
 - 450mAh Li-ion Polymer (Stabiliser)
- Charging time: Approximately 1 hour
- Working time: Up to 3 hours
- Standby time: Up to 100 hours
- Power input: 5V/1A
- System supports: iOS/Android
- Length: 188 – 580mm
- Clamp width: Up to 110mm
- Material: ABS + Aluminium
- Dimensions (L x W x D): 65.5 x 44 x 188mm
- Weight: 223g

Package Contents:

- Wireless Selfie/Tripod with Stabiliser
- Charging cable
- Silicone rubber case

UNDERSTANDING THE PRODUCT



- ① Pan-tilt switch key
- ② LED indicator
- ③ Rotation locking knob
- ④ Micro USB charging port
- ⑤ Rotary lock
- ⑥ Aluminium telescopic pole
- ⑦ Remote control indicator
- ⑧ Shutter key
- ⑨ Tripod

START USING SELFIE/TRIPOD WITH STABILISER

1. Bluetooth connection

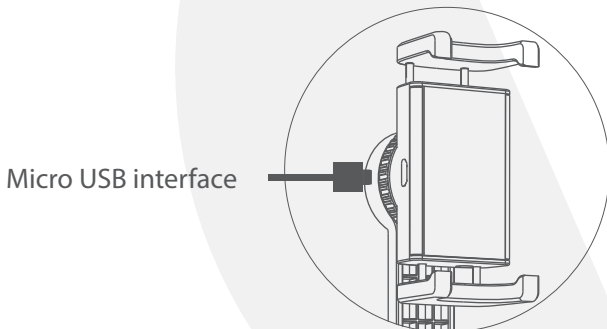
- a) If you use an Android phone, before taking photos, ensure that the volume button of your phone is set to the shutter button in the camera settings.
- b) Open Bluetooth of mobile phone to enter search state and click "Valore AC131".
After connection is finished, Blue LED will light up.



2. Charging

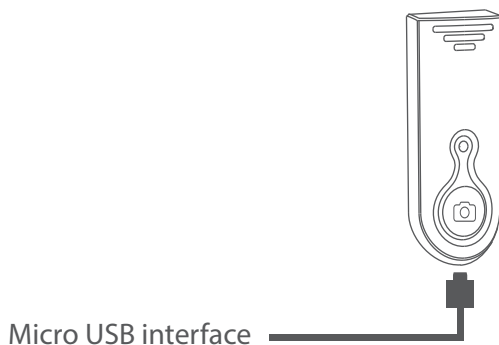
a) Holder charging mode

Connect the Micro USB interface of the pan-tilt holder for charging. The red LED will be on during the process of charging; the red LED will turn off after charging is completed.



b) Charging mode of Remote Controller

Connect the Micro USB interface. The red LED will be on during the process of charging; the red LED will turn off after charging is completed.



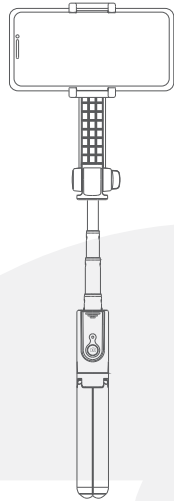
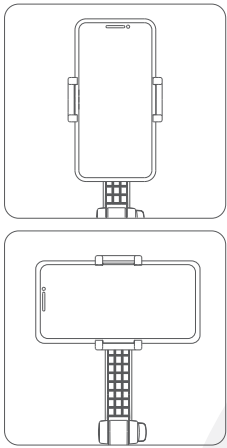
2. Power off

Remote controller: Long press the shutter button for 3s, blue LED will flicker for 3 times.

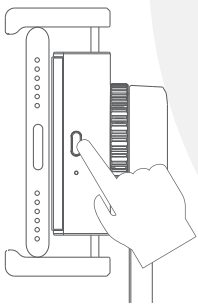
Pan-tilt holder: Long press the pan/tilt switch key for 3s, green LED will be off.

Usage method

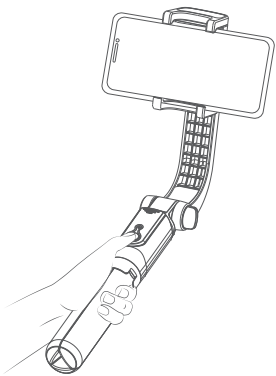
- 1 Mount your phone onto the selfie stick
- 2 Extend the monopod



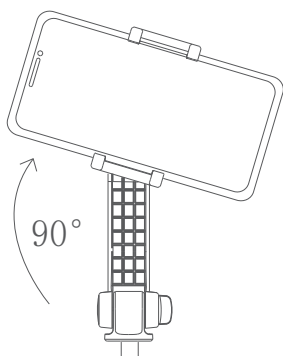
- 3 Usage mode of pan-tilt holder



After clamping the mobile phone and keeping the phone in natural balance, then long press the power button for 3 seconds to turn on.



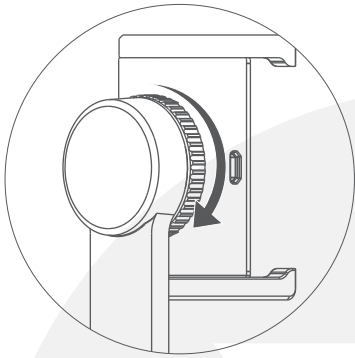
After starting up, it will enter the stable mode, move the holder, and the mobile phone will always maintain a constant direction.



Clicking the power button of the pan-tilt holder, and it will rotate 90 degrees counterclockwise.

4 Non-pan-tilt mode

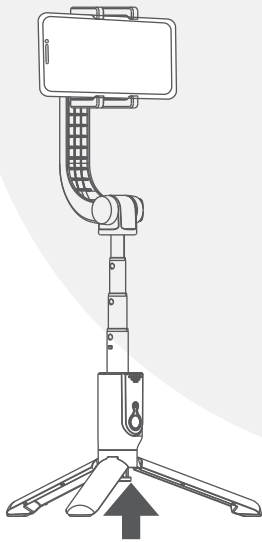
When the pan-tilt is shut down or out of power, the rotation can be screw tight to the locking direction, the rotation function of the pan-tilt disappears, and it will become an ordinary tripod selfie stick. (When the rotation is reset to the holder end, the pan-tilt mode will be restored.)



Rotary Locking button

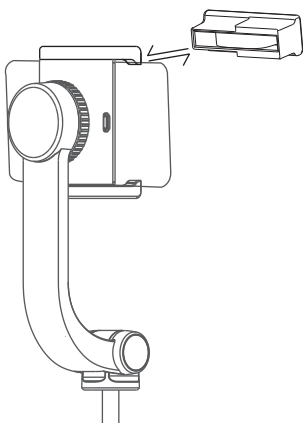
5 Use the tripod

Open the bottom tripod, uplift the pull rod and put tripod on horizontal plane.



Silicon rubber case for avoiding empty keys

When using the the mobile phone in horizontal screen status, please use this accessory when the product cannot work normally due to touching the keys of the mobile phone.



TECHNICAL SUPPORT & WARRANTY

- For Technical Support, email us at v.info@valore.sg.
- For Warranty Registration, visit www.valore.sg.

Cautions:

Read all the instructions and warnings carefully prior to using this product.

- Do not store the product in a high temperature environment.
- Do not place the product near a fire or other excessively hot environments.
- Do not expose the product to moisture or submerge it in liquid. Keep product dry at all times.
- Do not attempt to charge the product using any other method or connection other than the product's provided charging cable.
- Do not disassemble this product or attempt to repair or modify it in any manner.
- Battery usage by children should be supervised
- Be cautious of excessive drops, bumps, abrasions or other impacts to this product. If there is any damage to the product such as dents, punctures, tears, deformities or corrosion, stop using the product and contact us immediately via email at v.info@valore.sg, or return this product to the store where you have purchased it from.
- If the product produces an abnormal smell, high temperature (low temperature during normal use), discolours or changes shape abnormally, stop using the product and contact us immediately via email at v.info@valore.sg.

DISCLAIMER & TRADEMARKS

All information, trademarks, logos, graphics, and images ("Materials") provided on this user manual are copyrighted or trademarked and are the property of Valore Lifestyle Pte Ltd. Any unauthorized use of any material contained on the instruction manual may violate copyright laws, trademark laws, laws of privacy and communications statutes. The trademarks, service marks and logos used and displayed in the Materials are registered and unregistered trademarks and service marks of Valore and others. All other registered and unregistered company names, product names and marks mentioned herein the ("Materials") are the property of their respective owners and may be trademarks or registered trademarks.

Complies with
IMDA Standards
DA102803



Inspired by Valore Singapore

For full range of Valore products visit www.valore.sg