

Thank you for purchasing the Valore Wireless Selfie Stick.

Take your self-portraits or group photos to the next level with this wireless selfie stick that connects to your smartphone via Bluetooth connection. Snap away with the on-board selfie shutter button anytime, anywhere you go.

Important: Please read the user manual thoroughly before using your selfie stick.

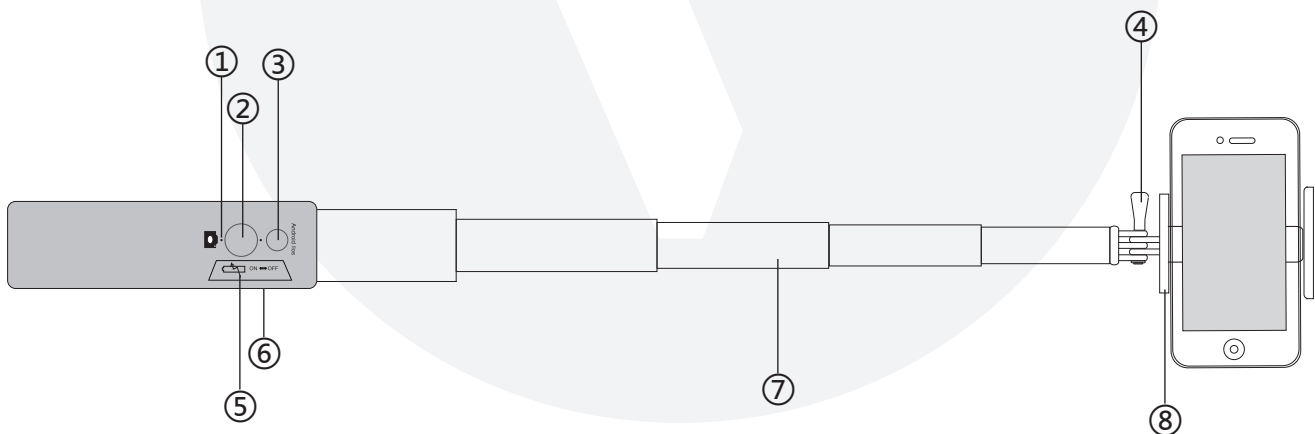
Specifications:

- Wireless range: 10m
- Battery: Built-in battery 150mAh
- Charging time: 1hr
- Length extension: 230 - 960mm
- Support: Android 3.0 above, iOS 5.0 above
- Material: Aluminium, ABS plastic
- Dimension (L x W x H): 230 x 40 x 35mm
- Weight: 160g

Package Contents:

- Wireless selfie stick
- Soft pouch
- USB charging cable
- Secure strap

UNDERSTANDING THE PRODUCT



- ① LED indicator
- ② Multi-functional button
- ③ Mode selection button (Android or iOS)
- ④ Lock nut
- ⑤ Micro USB charging port
- ⑥ ON/OFF button
- ⑦ Retractable handle
- ⑧ Mobile phone clamp

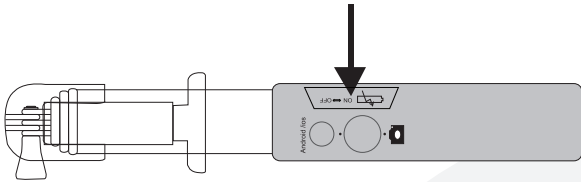
START USING THE WIRELESS SELFIE STICK

1) Charging the selfie stick

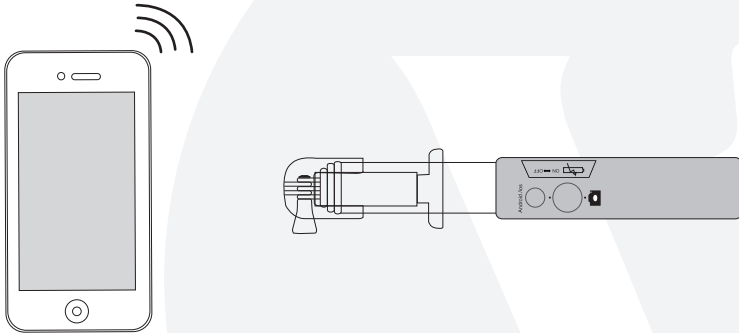
Connect your selfie stick to the USB adapter using the provided charging cable. The red LED light will switch on when charging, then turn blue when the battery is fully charged.

2) Bluetooth pairing and connecting

Step 1: Switch the ON/OFF button to ON and the LED light will flashes Blue and Red rapidly.



Step 2: Activate Bluetooth function on your mobile device to begin pairing with selfie stick.



Step 3: Connect to the selfie stick by selecting 'Valore-AC8810' under the device list.

Step 4: Select either iOS or Android by pressing the Mode selection button in order to define your compatible device.

Note: If the pairing is not successful, please turn off wireless selfie stick first and then re-pair again. After pairing is successful, paired devices will remember each other. Unless pairing information is deleted because of new pairing, no need to pair when using the next time.

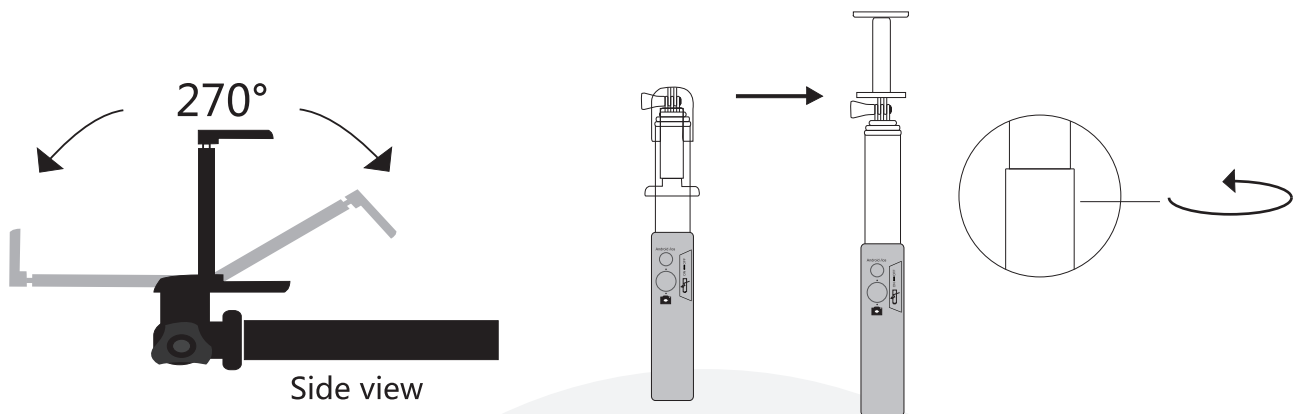
If you want to pair the wireless selfie stick with other devices, please turn off Bluetooth function of existing source device, and pair the wireless selfie stick with the new device according to steps 1-4 mentioned above.

3) Re-pairing the wireless selfie stick

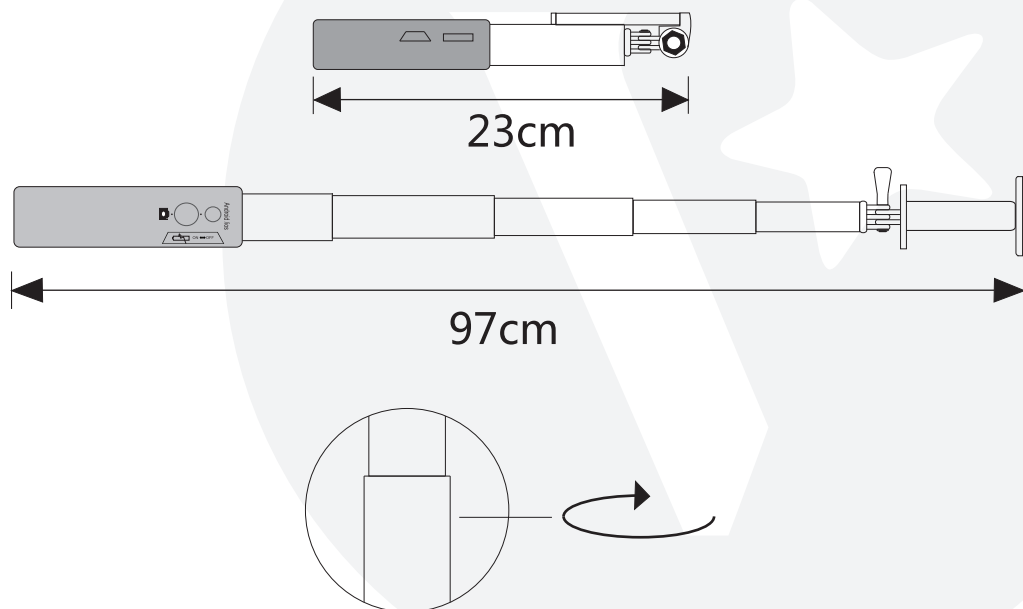
Each time the wireless selfie stick is turned on, it will attempt to connect to the last device it was paired with automatically (mobile device with Bluetooth function turned on).

4) Adjust the retractable handle

Turn the mobile phone clamp outward by 270°, then turn the retractable handle anti-clockwise to unlock the handle.

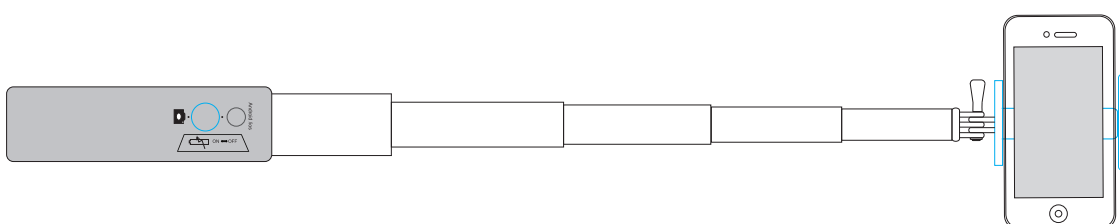


Extend or retract the selfie stick to desire distance and turn the retractable handle clockwise to lock the handle.



5) Taking Photo

Insert your phone into the mobile phone clamp, switch on the camera application and press the multi-function button to start taking photo.



TECHNICAL SUPPORT & WARRANTY

- For Technical Support, email us at v.info@valore.sg.
- For Warranty Registration, visit www.valore.sg.

Cautions:

Read all the instructions and warnings carefully prior to using this product.

- Do not store the product in a high temperature environment.
- Do not place the product near a fire or other excessively hot environments.
- Do not expose the product to moisture or submerge it in liquid. Keep product dry at all times.
- Do not attempt to charge the product using any other method or connection other than the product's provided charging cable.
- Do not disassemble this product or attempt to repair or modify it in any manner.
- Battery usage by children should be supervised
- Be cautious of excessive drops, bumps, abrasions or other impacts to this product. If there is any damage to the product such as dents, punctures, tears, deformities or corrosion, stop using the product and contact us immediately via email at v.info@valore.sg, or return this product to the store where you have purchased it from.
- If the product produces an abnormal smell, high temperature (low temperature during normal use), discolours or changes shape abnormally, stop using the product and contact us immediately via email at v.info@valore.sg.

DISCLAIMER & TRADEMARKS

All information, trademarks, logos, graphics, and images ("Materials") provided on this user manual are copyrighted or trademarked and are the property of Valore Lifestyle Pte Ltd. Any unauthorized use of any material contained on the instruction manual may violate copyright laws, trademark laws, laws of privacy and communications statutes.

The trademarks, service marks and logos used and displayed in the Materials are registered and unregistered trademarks and service marks of Valore and others. All other registered and unregistered company names, product names and marks mentioned herein the ("Materials") are the property of their respective owners and may be trademarks or registered trademarks.

Android is a trademark of Google Inc.

IOS is a trademark or registered trademark of Cisco in the U.S. and other countries and is used under license.

Complies with
IDA standards
DA 103331



Inspired by Valore Singapore

For full range of Valore products visit www.valore.sg