

Junco – Wireless Neckband Sports Earphones with FM Function (BTS14)

VALORE

Thank you for purchasing the Valore Junco – Wireless Neckband Sports Earphones with FM Function (BTS14).

- Flexible, lightweight neckband with ergonomic ear tips for ultimate comfort
- Intuitive built-in controls
- Built-in microphone for hands-free calling
- Stream to listen to your favourite radio station on the go

Important: Please read the user manual thoroughly before using your wireless earphones.

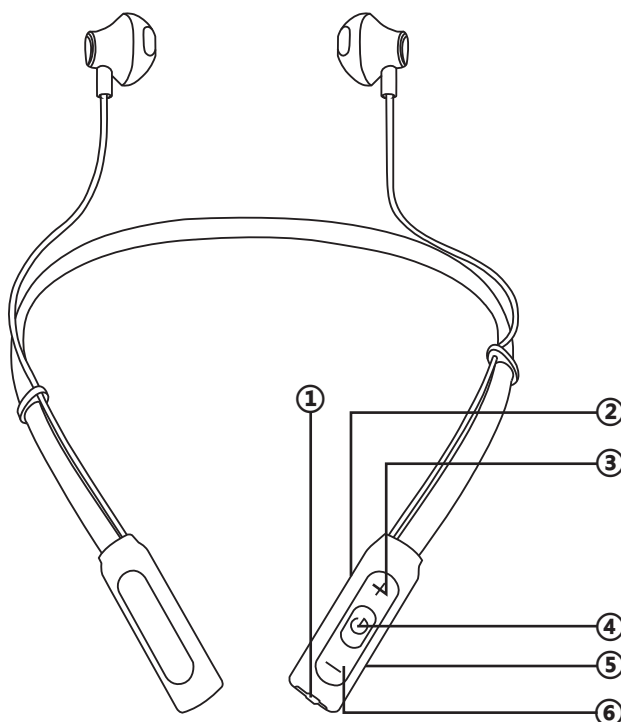
Specifications:

- Wireless range: Up to 10m
- Battery type: Built-in rechargeable 135mAh Lithium-ion battery
- Standby time: Up to 240 hours
- Charging time: Up to 3 hours
- Playback time: Up to 7 hours
- Power input: DC5V
- Material: TPU + TPE
- Dimensions (L x W x H): 198 x 152 x 26mm
- Weight: 88g

Package Contents:

- Wireless neckband sports earphones with FM function
- USB charging cable (300mm)

UNDERSTANDING THE PRODUCT

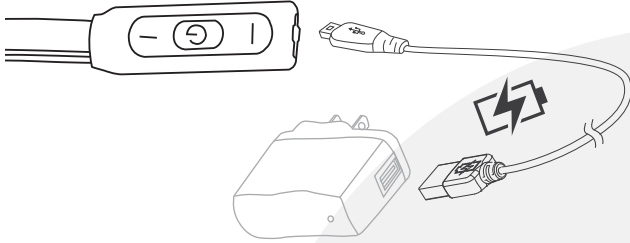


- ① Micro USB charging port
- ② Microphone
- ③ + Button
- ④ Multifunctional button
- ⑤ LED indicator
- ⑥ - Button

START USING THE WIRELESS EARPHONES

1) Charging the wireless headset

Connect the USB charging cable to the earphones located on the bottom. When red LED switch off, charging is complete.



Note: Please charge the earphones for at least 8 hours before first use. Please make sure that it is switched off when charging is in progress.

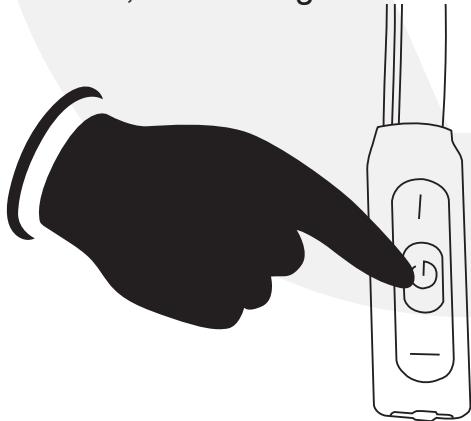
2) Pairing the wireless headset (switched off)

Step 1: Activate Bluetooth function on your mobile device to begin pairing with earphones.

Step 2: Press and hold onto the Multifunctional button until the LED light flickers red and blue.

Step 3: Connect to the earphones by selecting 'Valore BTS14' under the device list.

Step 4: Once connected, the LED light at the Bluetooth button will blink blue in interval of 5 seconds.



Note: If the pairing is not successful, please turn off wireless earphones first, and then re-pair again. After pairing is successful, paired devices will remember each other. Unless pairing information is deleted because of new pairing, no need to pair when using the next time.

If you want to pair the wireless earphones with other devices, please turn off Bluetooth function of existing source device, and pair the wireless earphones with the new device according to steps 1-4 mentioned above.

3) Wireless earphones controls

Play/Pause/Answer: Short press Multifunctional button

Volume up: Long press + Button

Volume down: Long press - Button

Previous track: Short press - Button

Next track: Short press + Button

Switch On/Off: Long press Multifunctional button

4) FM function

In Bluetooth mode, double press Multifunctional button to enter FM mode.

a) Press Multifunctional to access channel automatic search.

b) Toggle channels with + and - Buttons.

c) In FM mode, double press Multifunctional button to switch to Bluetooth mode.

TROUBLESHOOTING

Issue 1: Earphones is unable to connect successfully to your mobile device

Problem 1: Earphones battery is flat

Solution: Fully charge the earphones (2.5 hours) and retry connection with your mobile device.

Problem 2: Earphones not paired to your mobile device

Solution: Make sure that it is successfully paired upon selecting 'Valore BTS14' in the device list.

Problem 3: Earphones and mobile device too far apart

Solution: Make sure that it is within a metre range during pairing and connection.

Problem 4: Earphones connected to other mobile device

Solution: Make sure that it has already been disconnected before making a new connection with a new device.

Issue 2: Sound from the earphones is too soft or silent

Problem 1: Earphones battery is low / flat

Solution: Fully charge the earphones (2.5 hours) and retry connection with your mobile device.

Problem 2: Earphones or mobile device's volume is too low

Solution: Turn the volume of the earphones or mobile device up to increase the volume.

Problem 3: Music track may not be audible

Solution: Make sure that the music track is of a playable format for the mobile device.

Problem 4: Earphones and mobile device might not be connected properly.

Solution: Repeat the connection step via Bluetooth again to make sure that it is connected properly and try again.

TECHNICAL SUPPORT & WARRANTY

- For Technical Support, email us at v.info@valore.sg.
- For Warranty Registration, visit www.valore.sg.

Cautions:

Read all the instructions and warnings carefully prior to using this product.

- Do not store the headset in a high temperature environment.
- Do not place the headset near a fire or other excessively hot environments.
- Do not expose this headset to moisture or submerge it in liquid. Keep headset dry at all times.
- Do not attempt to charge the headset using any other method or connection other than the headset's provided charging cable.
- Do not disassemble this headset or attempt to repair or modify it in any manner.
- Be cautious of excessive drops, bumps, abrasions or other impacts to this headset. If there is any damage to the headset such as dents, punctures, tears, deformities or corrosion, stop using the headset and contact us immediately via email at v.info@valore.sg, or return this product to the store where you have purchased it from.
- If the product produces an abnormal smell, high temperature (low temperature during normal use), discolours or changes shape abnormally, stop using the product and contact us immediately via email at v.info@valore.sg.

DISCLAIMER & TRADEMARKS

All information, trademarks, logos, graphics, and images ("Materials") provided on this user manual are copyrighted or trademarked and are the property of Challenger Technologies Limited. Any unauthorized use of any material contained on the instruction manual may violate copyright laws, trademark laws, laws of privacy and communications statutes.

The trademarks, service marks and logos used and displayed in the Materials are registered and unregistered trademarks and service marks of Valore and others. All other registered and unregistered company names, product names and marks mentioned herein the ("Materials") are the property of their respective owners and may be trademarks or registered trademarks.

Complies with
IDA standards
DA 103331



Inspired by Valore Singapore

For full range of Valore products visit www.valore.sg