

Valore True Wireless Speakers With Charging Dock (BTS16)

VALORE

Thank you for purchasing the Valore True Wireless Speakers With Charging Dock (BTS16).

- Small in size, big on sound
- Use independently or pair for True Wireless stereo music
- Magnetic base allows speakers to adhere on steel and iron surface

Important: Please read the user manual thoroughly before using your wireless speakers.

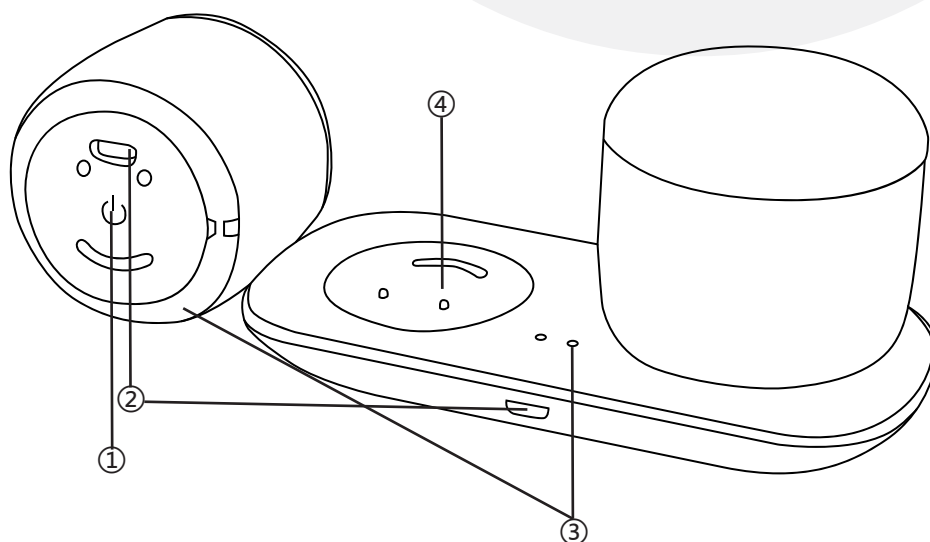
Specifications:

- Wireless range: Up to 10m
- Battery type: Built-in 400mAh lithium-ion battery
- Standby time: Up to 72 hours
- Charging time: Up to 3 hours
- Working time: Up to 8 hours
- Dimensions (Dia x H): $\varnothing 51 \times 46.5\text{mm}$
- Material: Aluminium Alloy
- Weight: 173g

Package Contents:

- Wireless speaker x 2
- Charging dock x 1
- USB cable (800mm) x 1
- Strap x 1
- Soft pouch x 1

UNDERSTANDING THE PRODUCT



- ① Power button
- ② Micro USB charging port
- ③ LED indicator
- ④ Magnetic charging dock

START USING THE WIRELESS SPEAKERS

1) Charging the wireless speakers

Connect the USB charging cable provided to the Micro USB charging port either on the speaker or the charging dock. A red indicator will light up when charging and will switch off when wireless speakers are fully charge.

Note: Please charge the speakers for at least 8 hours before first use. Please make sure that the speakers is switched off when charging is in progress.

2) Pairing the wireless speakers (switched off)

Single:

Step 1: Activate Bluetooth function on your mobile device to begin pairing with speaker.

Step 2: Press and hold onto the power button until the LED light is flashing blue.

Step 3: Connect to the speakers by selecting 'Valore BTS16' under the device list.

Step 4: Once connected, the LED light at the will be solid blue.

Dual:

Step 1: Activate Bluetooth function on your mobile device to begin pairing with speakers.

Step 2: Press and hold onto the power button on both speakers until the LED lights are flashing blue. (Wait for 5 seconds for both speakers to pair with each other. There will be a sound alert when speakers are paired.)

Step 3: Connect to the speakers by selecting 'Valore BTS16' under the device list.

Step 4: Once connected, the LED light at the will be solid blue.

Pairing code "0000" or "1234" might be needed.

Note: If the pairing is not successful, please turn off wireless speakers first, and then re-pair again. After pairing is successful, paired devices will remember each other. Unless pairing information is deleted because of new pairing, no need to pair when using the next time.

If you want to pair the wireless speakers with other devices, please turn off Bluetooth function of existing source device, and pair the wireless speakers with the new device according to steps 1-4 mentioned above.

TROUBLESHOOTING

Issue 1: speakers is unable to connect successfully to your mobile device

Problem 1: speakers's battery is flat

Solution: Fully charge the speakers (6 hours) and retry connection with your mobile device.

Problem 2: speakers not paired to your mobile device

Solution: Make sure that the speakers is successfully paired upon selecting 'Valore BTS16' in the device list.

Problem 3: speakers and mobile device too far apart

Solution: Make sure that the speakers is within a metre range during pairing and connection.

Problem 4: speakers is connected to other mobile device

Solution: Make sure that the speakers has already been disconnected before making a new connection with a new device.

Issue 2: Sound from the speakers is too soft or silent

Problem 1: speakers's battery is low / flat

Solution: Fully charge the speakers (4 hours) and retry connection with your mobile device.

Problem 2: speakers or mobile device's volume is too low

Solution: Turn the volume of the speakers or mobile device up to increase the volume.

Problem 3: Music track may not be audible

Solution: Make sure that the music track is of a playable format for the mobile device.

Problem 4: speakers and mobile device might not be connected properly.

Solution: Repeat the connection step via Bluetooth again to make sure that it is connected properly and try again.

TECHNICAL SUPPORT & WARRANTY

- For Technical Support, email us at v.info@valore.sg.
- For Warranty Registration, visit www.valore.sg.

Cautions:

Read all the instructions and warnings carefully prior to using this product.

- Do not store the speakers in a high temperature environment.
- Do not place the speakers near a fire or other excessively hot environments.
- Do not expose this speakers to moisture or submerge it in liquid. Keep speakers dry at all times.
- Do not attempt to charge the speakers using any other method or connection other than the headset's provided charging cable.
- Do not disassemble this speakers or attempt to repair or modify it in any manner.
- Be cautious of excessive drops, bumps, abrasions or other impacts to this headset. If there is any damage to the speakers such as dents, punctures, tears, deformities or corrosion, stop using the speakers and contact us immediately via email at v.info@valore.sg, or return this product to the store where you have purchased it from.
- If the product produces an abnormal smell, high temperature (low temperature during normal use), discolours or changes shape abnormally, stop using the product and contact us immediately via email at v.info@valore.sg.

DISCLAIMER & TRADEMARKS

All information, trademarks, logos, graphics, and images ("Materials") provided on this user manual are copyrighted or trademarked and are the property of Valore Lifestyle Pte Ltd. Any unauthorized use of any material contained on the instruction manual may violate copyright laws, trademark laws, laws of privacy and communications statutes.

The trademarks, service marks and logos used and displayed in the Materials are registered and unregistered trademarks and service marks of Valore and others. All other registered and unregistered company names, product names and marks mentioned herein the ("Materials") are the property of their respective owners and may be trademarks or registered trademarks.

Complies with
IMDA Standards
DA102803



Inspired by Valore Singapore

For full range of Valore products visit www.valore.sg