

Wireless Vintage Speaker (BTS28)

VALORE

Thank you for purchasing the Valore Wireless Vintage Speaker (BTS28).

- FM function
- Built-in microphone for hands-free calling

Important: Please read the user manual thoroughly before using your wireless speaker.

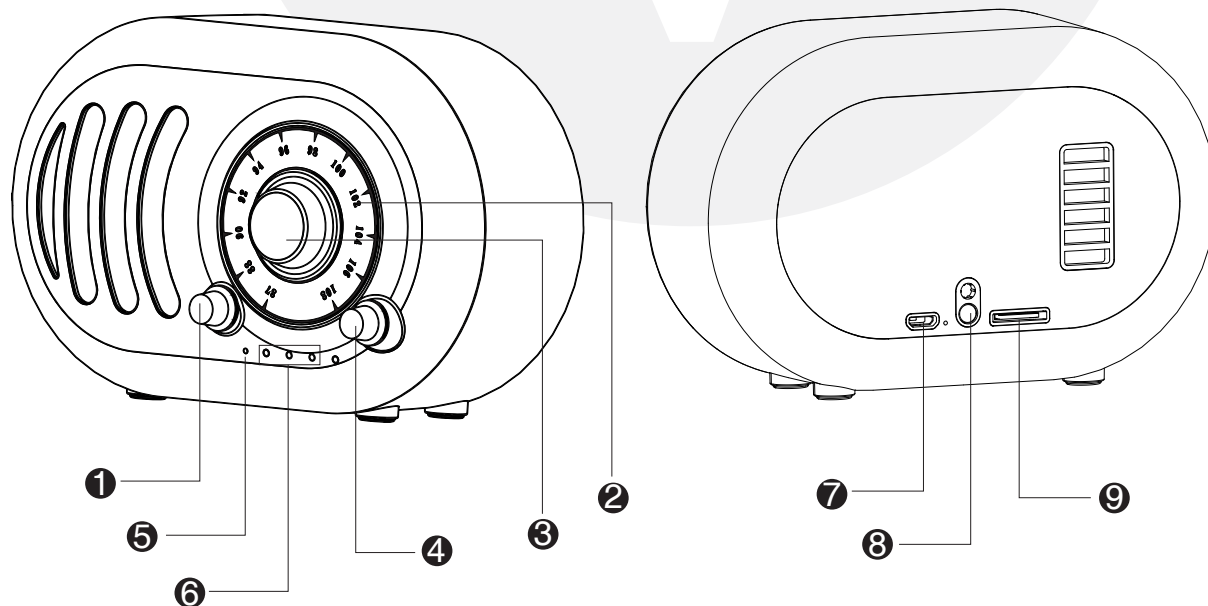
Specifications:

- Wireless range: Up to 10m
- Built-in battery: 1800mAh Lithium battery
- Standby time: Up to 240 hours
- Charging time: Approximately 4.5 hours
- Playback time: Up to 10 hours
- Power output: 5W

Package Contents:

- Wireless vintage speaker x 1
- USB charging cable 80mm x 1
- 3.5mm Audio cable 80mm x 1

UNDERSTANDING THE PRODUCT



- ① A knob with an automatic return of rotation
- ② Radio station dial
- ③ FM selective calling button
- ④ Signal rotary switch
- ⑤ Microphone
- ⑥ Signal status indicator
- ⑦ DC-5V
- ⑧ AUX
- ⑨ TF port

START USING THE WIRELESS SPEAKER

1) FM mode

Rotary signal mode switch into FM audio model(have warning tone), have built-in aerial. Can also be inserted into the AUX cable as aerial, turn the radio knob Search station FM light on, find the station light on. Click the volume knob to mute.

2) TF card mode

Rotating signal switch to Bluetooth mode, insert TF card, play audio files in TF card automatically, LED indicator will slow flash when playing. On pause it will stay lit, pull out TF card, enter into Bluetooth mode automatically.

3) AUX audio play

Rotating signal switch to AUX model (have warning tone), insert 3.5mm three-level audio line, AUX automatically play music ,when playing green light slow flash, the green light stay lit when music stops.

4) Pairing the wireless speaker (switched off)

Step 1: Activate Bluetooth function on your mobile device to begin pairing with speaker.

Step 2: Rotate signal switch to Bluetooth mode.




Step 3: Connect to the speaker by selecting 'Valore BTS28' under the device list.

Step 4: Once connected, the LED light at the will be solid blue.

Note: If the pairing is not successful, please turn off wireless speaker first, and then re-pair again. After pairing is successful, paired devices will remember each other. Unless pairing information is deleted because of new pairing, no need to pair when using the next time.

If you want to pair the wireless speaker with other devices, please turn off Bluetooth function of existing source device, and pair the wireless speaker with the new device according to steps 1-4 mentioned above.

Control Buttons

Mode	Key function
left 	Button with automatic return of rotation Pressing with one finger: pause/play/answer/hang up /FM mute Long pressing: refuse phone /bluetooth switch off long twist: reduce and increase the volume
middle 	FM sorting table button
Right 	Signal rotary switch: Bluetooth /TF-AUX-FM-power off
next song	Turn the knob clockwise (rotate the single), switch to the next song
Last song	Turn the knob counterclockwise (rotate the single), switch to in a song
Volume +	Turn the knob clockwise (rotate to far right) to volume up
Volume -	Turn the knob conuterclockwise (rotate to far left) to volume down

TROUBLESHOOTING

Issue 1: Speaker is unable to connect successfully to your mobile device

Problem 1: Speaker's battery is flat

Solution: Fully charge the speaker (2.5 hours) and retry connection with your mobile device.

Problem 2: Speaker not paired to your mobile device

Solution: Make sure that the speaker is successfully paired upon selecting 'Valore BTS28' in the device list.

Problem 3: Speaker and mobile device too far apart

Solution: Make sure that the speaker is within a metre range during pairing and connection.

Problem 4: Speaker is connected to other mobile device

Solution: Make sure that the speaker has already been disconnected before making a new connection with a new device.

Issue 2: Sound from the speaker is too soft or silent

Problem 1: Speaker's battery is low / flat

Solution: Fully charge the speaker (2.5 hours) and retry connection with your mobile device.

Problem 2: Speaker or mobile device's volume is too low

Solution: Turn the volume of the speaker or mobile device up to increase the volume.

Problem 3: Music track may not be audible

Solution: Make sure that the music track is of a playable format for the mobile device.

Problem 4: Speaker and mobile device might not be connected properly.

Solution: Repeat the connection step via Bluetooth again to make sure that it is connected properly and try again.

TECHNICAL SUPPORT & WARRANTY

- For Technical Support, email us at v.info@valore.sg.
- For Warranty Registration, visit www.valore.sg.

Cautions:

Read all the instructions and warnings carefully prior to using this product.

- Do not store the speaker in a high temperature environment.
- Do not place the speaker near a fire or other excessively hot environments.
- Do not expose this speaker to moisture or submerge it in liquid. Keep speaker dry at all times.
- Do not attempt to charge the speaker using any other method or connection other than the headset's provided charging cable.
- Do not disassemble this speaker or attempt to repair or modify it in any manner.
- Be cautious of excessive drops, bumps, abrasions or other impacts to this headset. If there is any damage to the speaker such as dents, punctures, tears, deformities or corrosion, stop using the speaker and contact us immediately via email at v.info@valore.sg, or return this product to the store where you have purchased it from.
- If the product produces an abnormal smell, high temperature (low temperature during normal use), discolours or changes shape abnormally, stop using the product and contact us immediately via email at v.info@valore.sg.

DISCLAIMER & TRADEMARKS

All information, trademarks, logos, graphics, and images ("Materials") provided on this user manual are copyrighted or trademarked and are the property of Valore Lifestyle Pte Ltd. Any unauthorized use of any material contained on the instruction manual may violate copyright laws, trademark laws, laws of privacy and communications statutes.

The trademarks, service marks and logos used and displayed in the Materials are registered and unregistered trademarks and service marks of Valore and others. All other registered and unregistered company names, product names and marks mentioned herein the ("Materials") are the property of their respective owners and may be trademarks or registered trademarks.

Complies with
IMDA Standards
DA102803



Inspired by Valore Singapore

For full range of Valore products visit www.valore.sg