

Wireless Speaker With Night Light & Wireless Charging Function (BTS36)

VALORE

Thank you for purchasing the Valore Wireless Speaker With Night Light & Wireless Charging Function (BTS36)

- Hands-free calls
- Wireless charging
- Mobile phone stand
- Night light (3 level brightness)
- USB-C charging

Important: Please read the user manual thoroughly before using your wireless speaker with nightlight & wireless charging function.

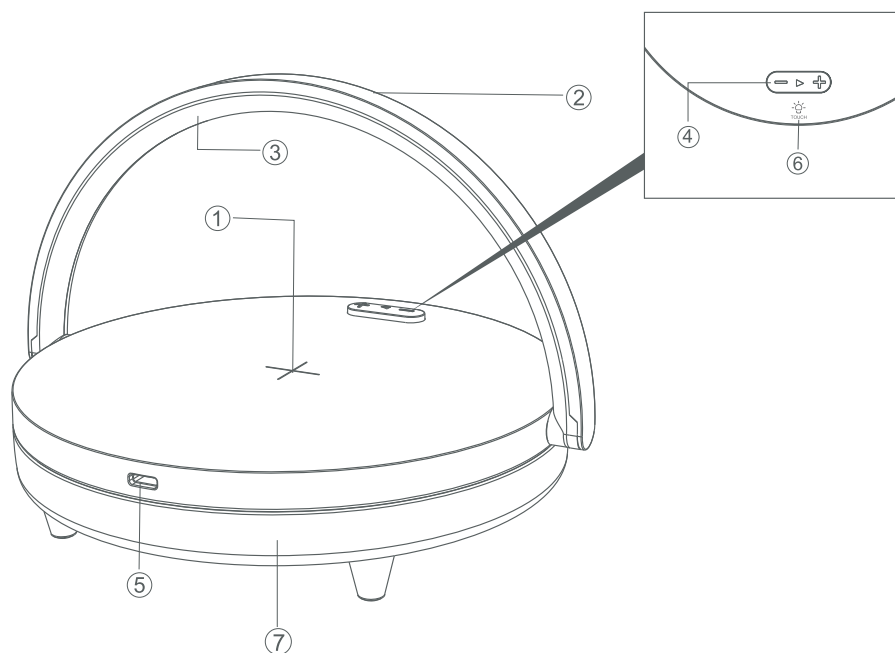
Specifications:

- Wireless range: Up to 10m
- Battery capacity: 1500mAh
- Charging time: Approximately 5 hours
- Playback/working time: Up to 3 hours
- Standby time: Up to 100 hours
- Power input: DC5V/1A
- Wireless charging output: 15W
- Speaker power output: 5W x 1

Package Contents:

- Wireless speaker with night light & wireless charging function
- USB-C charging cable

UNDERSTANDING THE PRODUCT

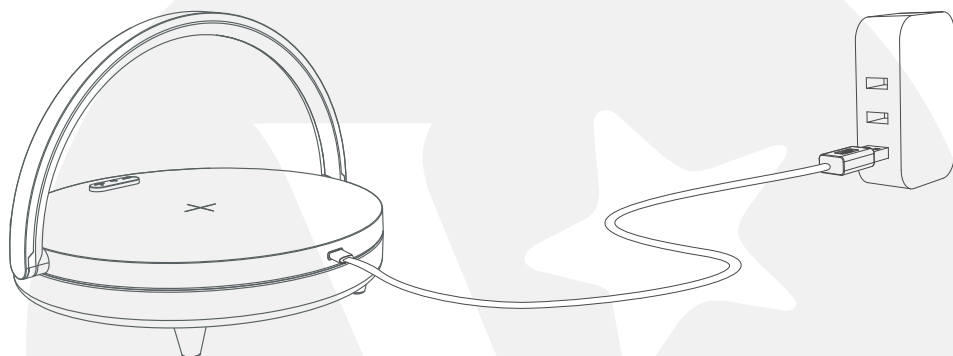


- ① Wireless charging point
- ② Heat dissipation shell
- ③ Lampshade
- ④ Function button
- ⑤ USB-C interface
- ⑥ Touch LED switch
- ⑦ Speaker

START USING THE WIRELESS SPEAKER WITH NIGHTLIGHT & WIRELESS CHARGING FUNCTION

Operating the product

1. Plug the USB port of the USB cable to the power adapter and the USB-C end to the wireless charger.
2. After the product is powered on, the indicators flash blue and white.
3. Place the wireless enabled device on the charging indication area. The white light turns blue and stays on and enters the charging state.



Pairing the wireless speaker (switched off)

Step 1: Press ► play button for 3 seconds and there will be a beep sound.

(Bluetooth indicator light will be flashing)

Step 2: Activate Bluetooth function on your mobile device to begin pairing with earphones.

Step 3: Connect to the products by selecting 'Valore BTS36' under the device list.

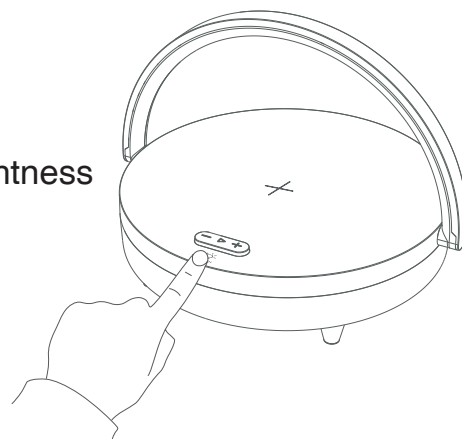
Step 4: Once connected, the indicator light will stop flashing.

Note: If the pairing is not successful, please turn off wireless headphones first, and then re-pair again. After pairing is successful, paired devices will remember each other. Unless pairing information is deleted because of new pairing, no need to pair when using the next time.

If you want to pair the wireless product with other devices, please turn off Bluetooth function of existing source device, and pair the wireless product with the new device according to steps 1-4 mentioned above.

Light touch function

- Touch the first time to start the light at 10% brightness
- Touch again to change the intensity to 60% brightness
- Touch the third time to change the intensity to 100% brightness
- Touch the fourth time to turn off the light



Button function

▶ **Play switch - Play/Pause/Hands-free calling**

Press and hold for 3 seconds to turn on. In playback state, short press to pause music, short press again to play. When there is an incoming call, short press to answer, long press to reject. Press and hold for 3 seconds to turn off device.

+ **Volume up/Next song**

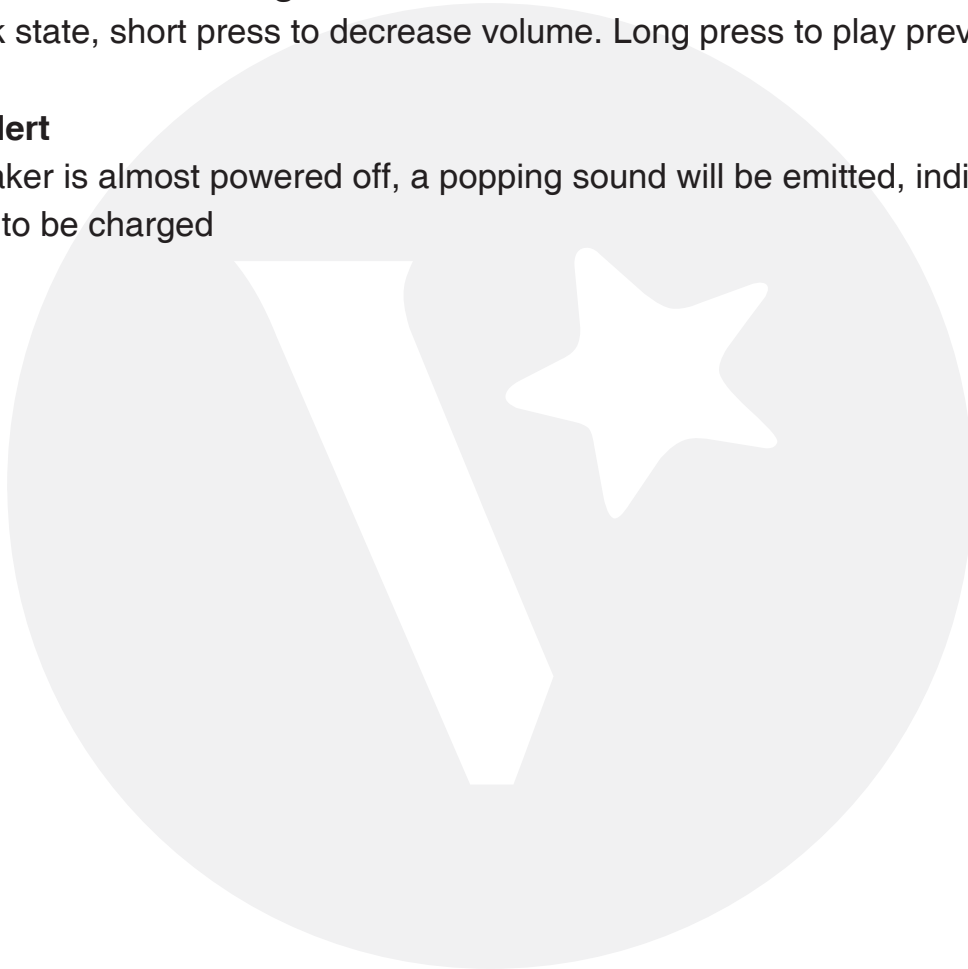
In the playback state, short press to increase the volume. A pop-up boost will occur when the volume is maximised. Long press to play next song.

— **Volume down/Previous song**

In the playback state, short press to decrease volume. Long press to play previous song.

Low battery alert

When the speaker is almost powered off, a popping sound will be emitted, indicating that the product needs to be charged



TROUBLESHOOTING

Issue 1: Product is unable to connect successfully to your mobile device

Problem 1: Product's battery is flat

Solution: Fully charge the product (2.5 hours) and retry connection with your mobile device.

Problem 2: Product not paired to your mobile device

Solution: Make sure that the product is successfully paired upon selecting 'Valore BTS31' in the device list.

Problem 3: Product and mobile device too far apart

Solution: Make sure that the product is within a metre range during pairing and connection.

Problem 4: Product is connected to other mobile device

Solution: Make sure that the product has already been disconnected before making a new connection with a new device.

Issue 2: Sound from the product is too soft or silent

Problem 1: Product's battery is low / flat

Solution: Fully charge the product (2 hours) and retry connection with your mobile device.

Problem 2: Product or mobile device's volume is too low

Solution: Turn the volume of the product or mobile device up to increase the volume.

Problem 3: Music track may not be audible

Solution: Make sure that the music track is of a playable format for the mobile device.

Problem 4: Product and mobile device might not be connected properly.

Solution: Repeat the connection step via Bluetooth/auxiliary cable again to make sure that it is connected properly and try again.

TECHNICAL SUPPORT & WARRANTY

- For Technical Support, email us at v.info@valore.sg.
- For Warranty Registration, visit www.valore.sg.

Cautions:

Read all the instructions and warnings carefully prior to using this product.

- Do not store the product in a high temperature environment.
- Do not place the product near a fire or other excessively hot environments.
- Do not expose this product to moisture or submerge it in liquid. Keep product dry at all times.
- Do not attempt to charge the product using any other method or connection other than the product's provided charging cable.
- Do not disassemble this product or attempt to repair or modify it in any manner.
- Be cautious of excessive drops, bumps, abrasions or other impacts to this product. If there is any damage to the product such as dents, punctures, tears, deformities or corrosion, stop using the product and contact us immediately via email at v.info@valore.sg, or return this product to the store where you have purchased it from.
- If the product produces an abnormal smell, high temperature (low temperature during normal use), discolours or changes shape abnormally, stop using the product and contact us immediately via email at v.info@valore.sg.

DISCLAIMER & TRADEMARKS

All information, trademarks, logos, graphics, and images ("Materials") provided on this user manual are copyrighted or trademarked and are the property of Valore Lifestyle Pte Ltd. Any unauthorized use of any material contained on the instruction manual may violate copyright laws, trademark laws, laws of privacy and communications statutes.

The trademarks, service marks and logos used and displayed in the Materials are registered and unregistered trademarks and service marks of Valore and others. All other registered and unregistered company names, product names and marks mentioned herein the ("Materials") are the property of their respective owners and may be trademarks or registered trademarks.

Complies with
IMDA Standards
DA102803

Inspired by Valore Singapore

For full range of Valore products visit www.valore.sg