

True Wireless Earbuds With Charging Dock (BTi36)

VALORE

Thank you for purchasing the Valore True Wireless Earbuds With Charging Dock (BTi36).

- Connect up to two mobile phones simultaneously
- Enjoy premium quality music without added weight of wires
- Store wireless earbuds in a protective case while it recharges

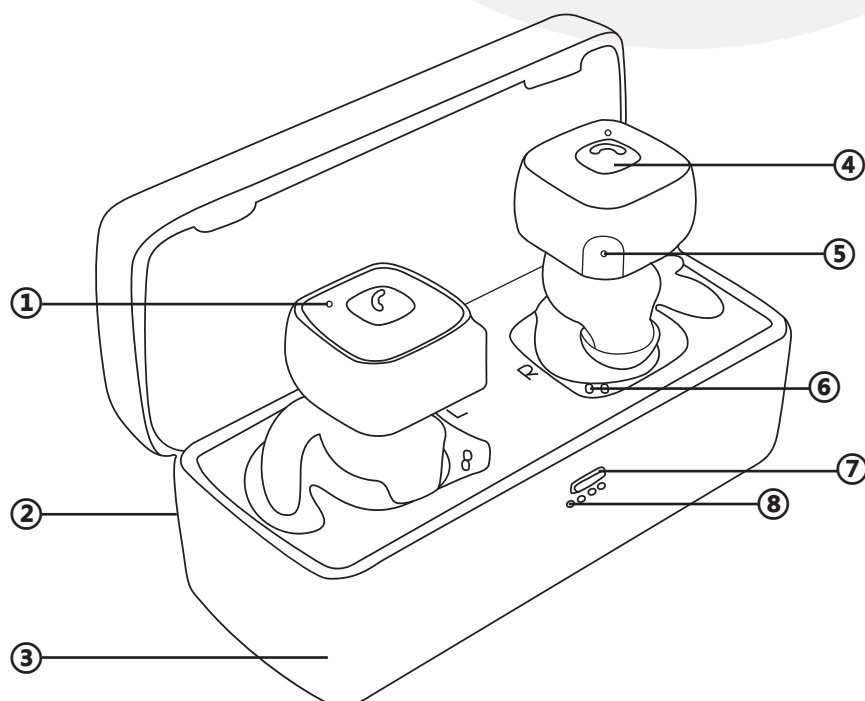
Important: Please read the user manual thoroughly before using your wireless earbuds.

Specifications:

- Wireless range: Up to 10m
- Earbuds battery type: Built-in 80mAh lithium battery
- Charging case battery type: Built-in 600mAh lithium-polymer battery
- Standby time: Up to 100 hours
- Charging time: Up to 2 hours
- Support: A2DP / HFP / HSP
- Playback/working time: Up to 3.5 hours
- Power input: DC5V
- Material: ABS + PC
- Dimensions (L x W x H): 92 x 38 x 36mm
- Weight: 72g

Package Contents:

- Wireless earbuds x 1 pair
- Charging dock x 1
- USB charging cable (500mm) x 1
- Earbuds x 2 pairs
- Earhook x 1



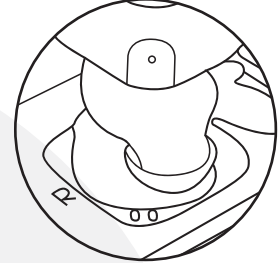
- ① LED indicator
- ② Micro USB charging port
- ③ Charging dock
- ④ Multi-functional button
- ⑤ Microphone
- ⑥ Charge connecting pin
- ⑦ Charging dock button
- ⑧ LED indicator for charging dock

START USING THE WIRELESS EARBUDS

1) Charging the wireless earbuds

Earbuds are charged through connecting pin contacts when placed into the charging dock. The LED indicator blinks blue while charging and goes off when fully charged. When charging dock is being charged, the 4 LED indicators blink blue in sequence. When fully charged, the indicators will stay solid.

Note: Please charge the earbuds for at least 8 hours before first use. Please make sure that the earbuds are switched off when charging is in progress.



2) Pairing the wireless earbuds (switched off)

Step 1: Activate Bluetooth function on your mobile device to begin pairing with earbuds.
Step 2: Remove earbuds from charging dock, wait for earbuds to connect to each other (Voice prompt). The main earbud's LED indicator will flicker red and blue.
Step 3: Connect to the earbuds by selecting 'Valore BTi36' under the device list.
Step 4: Once connected, the LED light at the will be solid blue.

If the pairing is not successful, please turn off wireless earbuds first, and then re-pair again. After pairing is successful, paired devices will remember each other. Unless pairing information is deleted because of new pairing, no need to pair when using the next time.

If you want to pair the wireless earbuds with other devices, please turn off Bluetooth function of existing source device, and pair the wireless earbuds with the new device according to steps 1-4 mentioned above.

3) Wireless earbuds controls

Power on - Remove from charging dock / Press and hold multi-functional button
Power off - Place in charging dock / Press and hold multi-functional button

Multi-function button (Right):

Pick up call - Short press
Hang up call - Short press
Switch language - In pairing mode, double press to switch between chinese and english

Multi-function button (Left):

Switch between mobile and earbuds - Press and hold
Reject call - Double press
To mute / unmute - Double click while in calling mode
Play/Pause music - Short press
Three-party call: If there is an incoming call during a call, press once to hang up call A and answer new call. Double press to switch between call A & B.

TROUBLESHOOTING

Issue 1: Earbuds is unable to switch on

Cause 1: Earbuds battery is flat

Solution: Fully charge the earbuds (2 hours) and retry connection with your mobile device.

Issue 2: Unable to charge the earbuds

Cause 1: The charge connecting pins are not connected properly.

Solution: Remove earbuds and adjust the pin's angle and replace earbuds into charging dock.

Issue 3: Unable to switch off earbuds

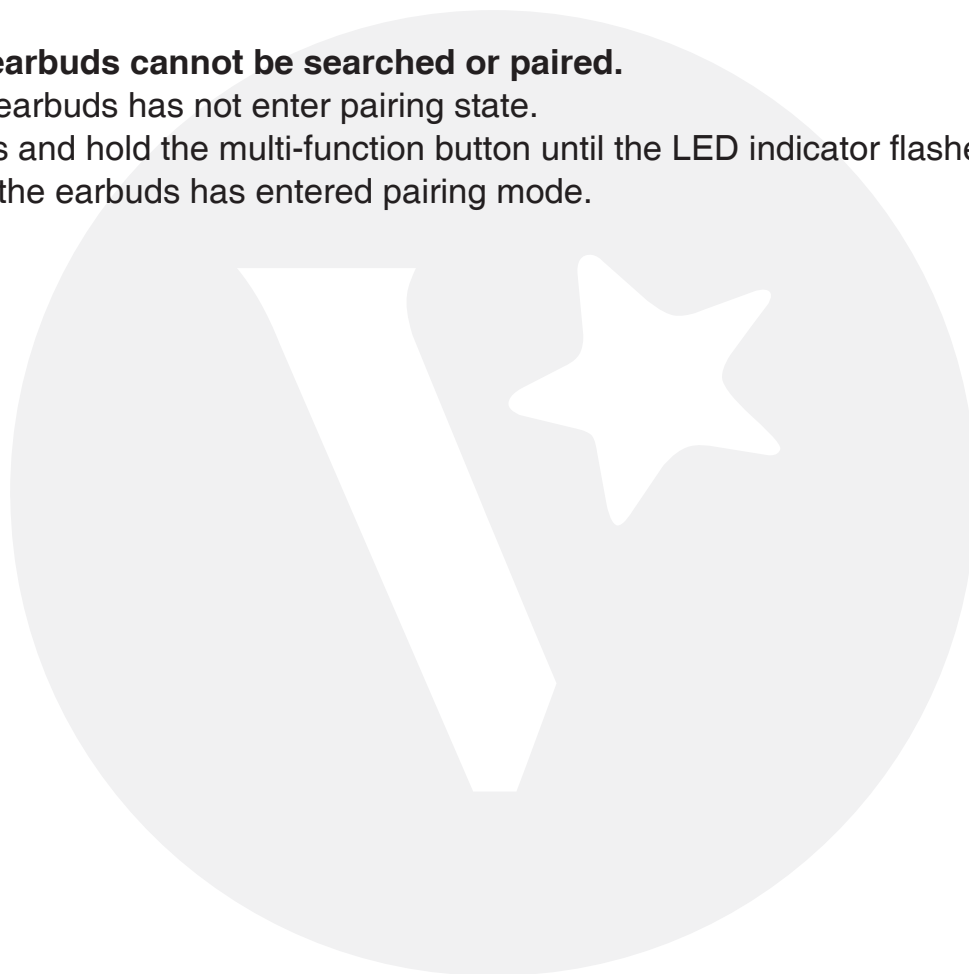
Cause 1: The earbuds program has an error due to an incorrect operation.

Solution: Put earbuds in charging dock and reset.

Issue 4: The earbuds cannot be searched or paired.

Cause 1: The earbuds has not enter pairing state.

Solution: Press and hold the multi-function button until the LED indicator flashes blue and red, then the earbuds has entered pairing mode.



TECHNICAL SUPPORT & WARRANTY

- For Technical Support, email us at v.info@valore.sg.
- For Warranty Registration, visit www.valore.sg.

Cautions:

Read all the instructions and warnings carefully prior to using this product.

- Do not store the earbuds in a high temperature environment.
- Do not place the earbuds near a fire or other excessively hot environments.
- Do not expose this speaker to moisture or submerge it in liquid. Keep earbuds dry at all times.
- Do not attempt to charge the earbuds using any other method or connection other than the headset's provided charging cable.
- Do not disassemble this earbuds or attempt to repair or modify it in any manner.
- Be cautious of excessive drops, bumps, abrasions or other impacts to this headset. If there is any damage to the earbuds such as dents, punctures, tears, deformities or corrosion, stop using the earbuds and contact us immediately via email at v.info@valore.sg, or return this product to the store where you have purchased it from.
- If the product produces an abnormal smell, high temperature (low temperature during normal use), discolours or changes shape abnormally, stop using the product and contact us immediately via email at v.info@valore.sg.

DISCLAIMER & TRADEMARKS

All information, trademarks, logos, graphics, and images ("Materials") provided on this user manual are copyrighted or trademarked and are the property of Valore Lifestyle Pte Ltd. Any unauthorized use of any material contained on the instruction manual may violate copyright laws, trademark laws, laws of privacy and communications statutes.

The trademarks, service marks and logos used and displayed in the Materials are registered and unregistered trademarks and service marks of Valore and others. All other registered and unregistered company names, product names and marks mentioned herein the ("Materials") are the property of their respective owners and may be trademarks or registered trademarks.

Complies with
IMDA Standards
DA102803



Inspired by Valore Singapore

For full range of Valore products visit www.valore.sg