

Thank you for purchasing the Valore Basso – Wireless Earphone (BTi37).

- Clear conversations even around noise
- Connect up to two mobile phones simultaneously
- Stream music and podcasts wirelessly on the go

Important: Please read the user manual thoroughly before using your wireless earphone.

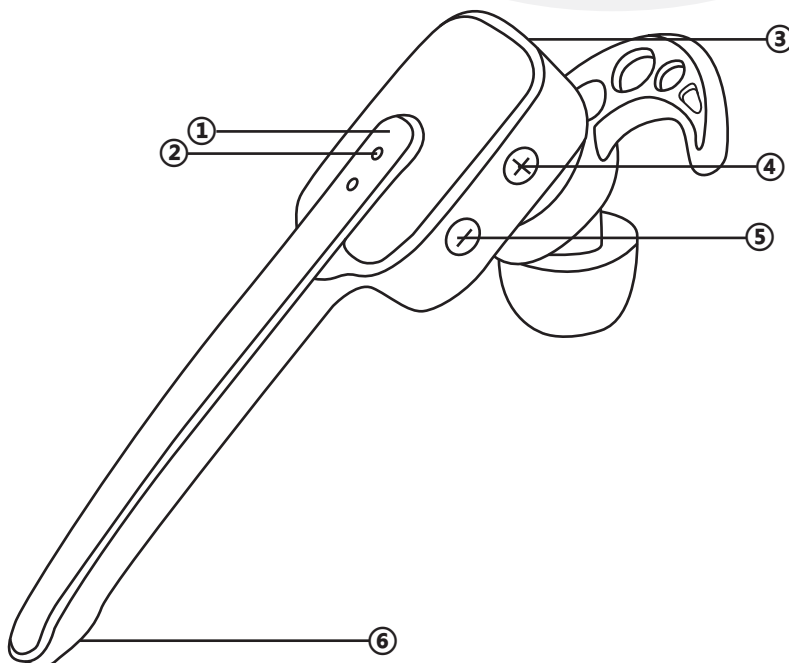
Specifications:

- Wireless range: Up to 10m
- Support: A2DP/AVRCP
- Built-in battery: 65mAh Polymer lithium battery
- Standby time: Up to 110 hours
- Charging time: Up to 2 hours
- Playback time: Up to 4 hours
- Power input: DC5V
- Dimensions (L x W x H): 70 x 20 x 30mm
- Material: ABS + PC
- Weight: 7g

Package Contents:

- Wireless earphone
- Ear hook x 3
- Ear cap x 1
- USB charging cable (500mm)

UNDERSTANDING THE PRODUCT



- ① Multi-functional button (M)
- ② LED indicator
- ③ Micro USB charging port
- ④ Volume + / Next track
- ⑤ Volume - / Previous track
- ⑥ Microphone

START USING THE WIRELESS EARPHONE

1) Charging the wireless earphone

Connect the USB charging cable provided to the Micro USB charging port located at the top of the earphone.

Note: Please charge the earphone for at least 8 hours before first use. Please make sure that the earphone is switched off when charging is in progress.

2) Pairing the wireless earphone (switched off)

Single:

Step 1: Activate Bluetooth function on your mobile device to begin pairing with earphone.

Step 2: Switch on the earphone by long pressing the multi-function button (M) till the LED indicator flashes blue and red.

Step 3: Connect to the earphone by selecting 'Valore BTi37' under the device list.

Step 4: Once connected, the LED light at the will be solid blue.

If password is required, please enter "0000".

If the pairing is not successful, please turn off wireless earphone first, and then re-pair again. After pairing is successful, paired devices will remember each other. Unless pairing information is deleted because of new pairing, no need to pair when using the next time.

If you want to pair the wireless earphone with other devices, please turn off Bluetooth function of existing source device, and pair the wireless earphone with the new device according to steps 1-4 mentioned above.

3) Wireless earphone controls

Multi-function button: Short press to play/pause music, answer and hang up call. Long press to reject call. During call, if a new call comes in, press (M) to

end the current call and answer the new call. Hold down (M) for about 1 second to keep the current call.

During call, double click (M) to switch the call line to your mobile phone. Repeat the step to switch back to the Bluetooth earphone .

Previous/Volume - : Long press to go to previous song. Short press to reduce volume.

Next/Volume + : Long press to go to next song. Short press to increase volume.

TROUBLESHOOTING

Issue 1: Earphone is unable to switch on

Cause 1: Earphone battery is flat

Solution: Fully charge the earphone (2 hours) and retry connection with your mobile device.

Cause 2: Time of holding down multi-function button is too short.

Solution: Press and hold the multi-function button until the LED indicator is lit.

Issue 2: Unable to charge the earphone

Cause 1: The charging cable is not properly connected.

Solution: Reconnect the charging cable to the charging port fully.

Issue 3: Unable to switch off earphone

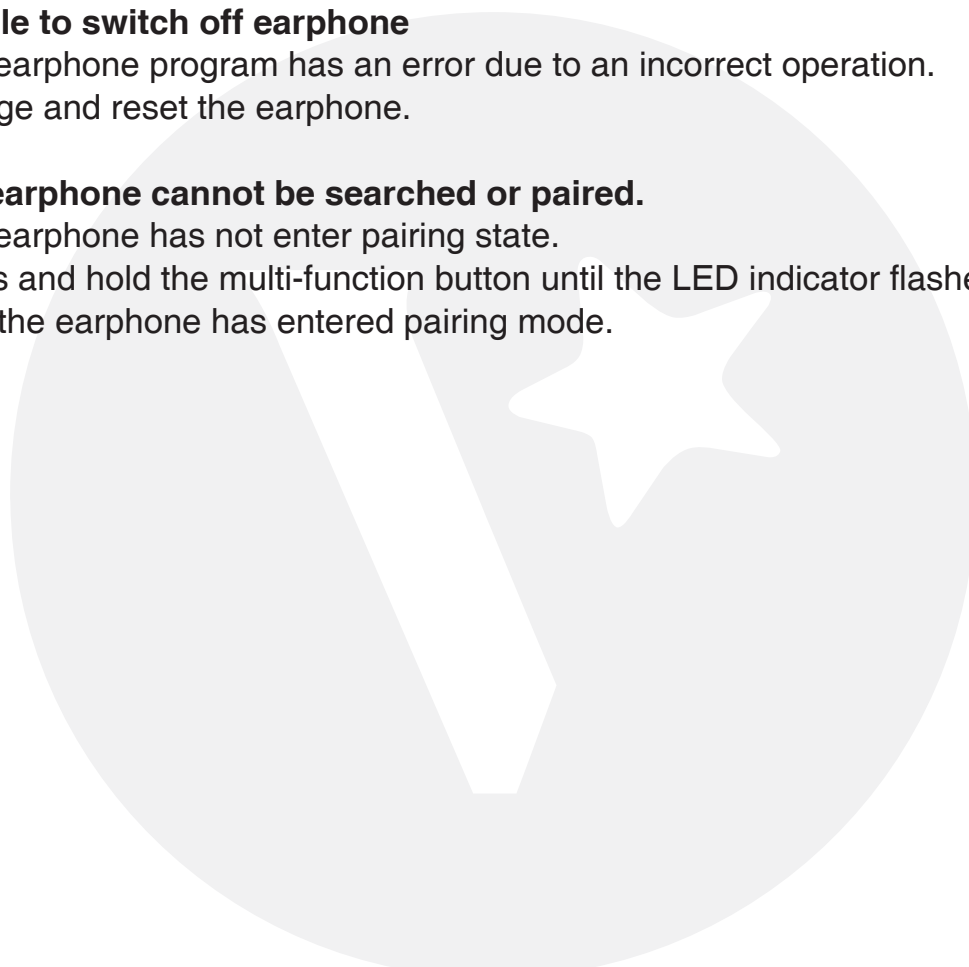
Cause 1: The earphone program has an error due to an incorrect operation.

Solution: Charge and reset the earphone.

Issue 4: The earphone cannot be searched or paired.

Cause 1: The earphone has not enter pairing state.

Solution: Press and hold the multi-function button until the LED indicator flashes blue and red, then the earphone has entered pairing mode.



TECHNICAL SUPPORT & WARRANTY

- For Technical Support, email us at v.info@valore.sg.
- For Warranty Registration, visit www.valore.sg.

Cautions:

Read all the instructions and warnings carefully prior to using this product.

- Do not store the earphone in a high temperature environment.
- Do not place the earphone near a fire or other excessively hot environments.
- Do not expose this speaker to moisture or submerge it in liquid. Keep earphone dry at all times.
- Do not attempt to charge the earphone using any other method or connection other than the headset's provided charging cable.
- Do not disassemble this earphone or attempt to repair or modify it in any manner.
- Be cautious of excessive drops, bumps, abrasions or other impacts to this headset. If there is any damage to the earphone such as dents, punctures, tears, deformities or corrosion, stop using the earphone and contact us immediately via email at v.info@valore.sg, or return this product to the store where you have purchased it from.
- If the product produces an abnormal smell, high temperature (low temperature during normal use), discolours or changes shape abnormally, stop using the product and contact us immediately via email at v.info@valore.sg.

DISCLAIMER & TRADEMARKS

All information, trademarks, logos, graphics, and images ("Materials") provided on this user manual are copyrighted or trademarked and are the property of Valore Lifestyle Pte Ltd. Any unauthorized use of any material contained on the instruction manual may violate copyright laws, trademark laws, laws of privacy and communications statutes.

The trademarks, service marks and logos used and displayed in the Materials are registered and unregistered trademarks and service marks of Valore and others. All other registered and unregistered company names, product names and marks mentioned herein the ("Materials") are the property of their respective owners and may be trademarks or registered trademarks.

Complies with
IMDA Standards
DA103331



Inspired by Valore Singapore

For full range of Valore products visit www.valore.sg