

# Opal Air – True Wireless Earbuds (BTi42)

# VALORE

Thank you for purchasing the Valore Opal Air – True Wireless Earbuds (BTi42).

- One-step pairing
- 500mAh charging case
- Touch control for easier music/call switch
- Supports USB-C charging port

**Important:** Please read the user manual thoroughly before using your wireless earbuds.

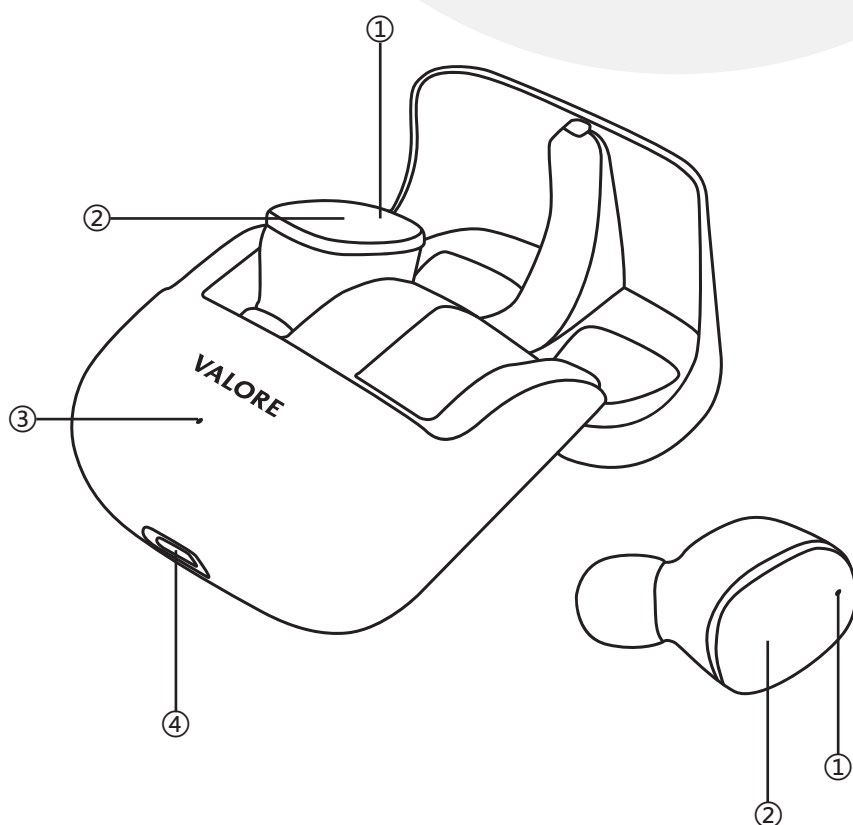
## Specifications:

- Wireless range: Up to 10M
- Earbuds battery type: Built-in 50mAh lithium battery  
(Charge earbuds up to 4 times)
- Earbuds charging time: Approximately 1 hour
- Charging case charging time: Approximately 2 hours
- Playback/working time: Up to 5 hours
- Standby time: Up to 70 hours
- Support: HSP/HDP/A2DP/AVRCP
- Power input: DC5V/1A

## Package Contents:

- True wireless earbuds x 1 pair
- Charging case x 1
- USB-C charging cable  
(500mm) x 1
- Silicone ear tips x 3 pairs

## UNDERSTANDING THE PRODUCT



- ① Earbud LED indicator
- ② Touch control
- ③ Charging box indicator
- ④ USB-C charging port

# START USING THE WIRELESS EARBUDS

## 1) Charging

- a) When the LED indicator connected earphone flash red with a voice “please charge”, put the earbuds into the charging box. Otherwise the earphone will power off automatically.
- b) If both the earbuds and charging box are out of power, insert the cable of the charger into the Micro-USB port on the charging box and plug the charger into the AC socket. The charging box and earbuds will be charged simultaneously.
- c) The earbuds is charged through two metal contacts during charging in the box, and the indicator blinks blue while charging. The full charge takes about two hours. The indicator goes off when the earphone is fully charged. Then you can take out your earbuds for use. When the charging box is being charged, the four indicators blink blue in sequence. The full charge takes about two hours. The four indicators become steady blue when the charging box is fully charged. Then you can disconnect the charger from the socket and charging box.

## 2) Pairing both wireless earbuds (switched off)

Earbuds will connect to each other automatically. Otherwise, click the touch surface for 3 seconds to switch on manually. The master earbud’s indicator will flicker red and blue.

- Step 1: Activate Bluetooth function on your mobile device to begin pairing with earbuds.
- Step 2: Remove earbuds from charging box and wait for “left/right channel” voice prompt.
- Step 3: Connect to the earbuds by selecting ‘Valore BTi42 under the device list.
- Step 4: Once connected, there will be a pairing voice prompt.

Power on: Remove earbuds from charging case, it will turn on automatically.

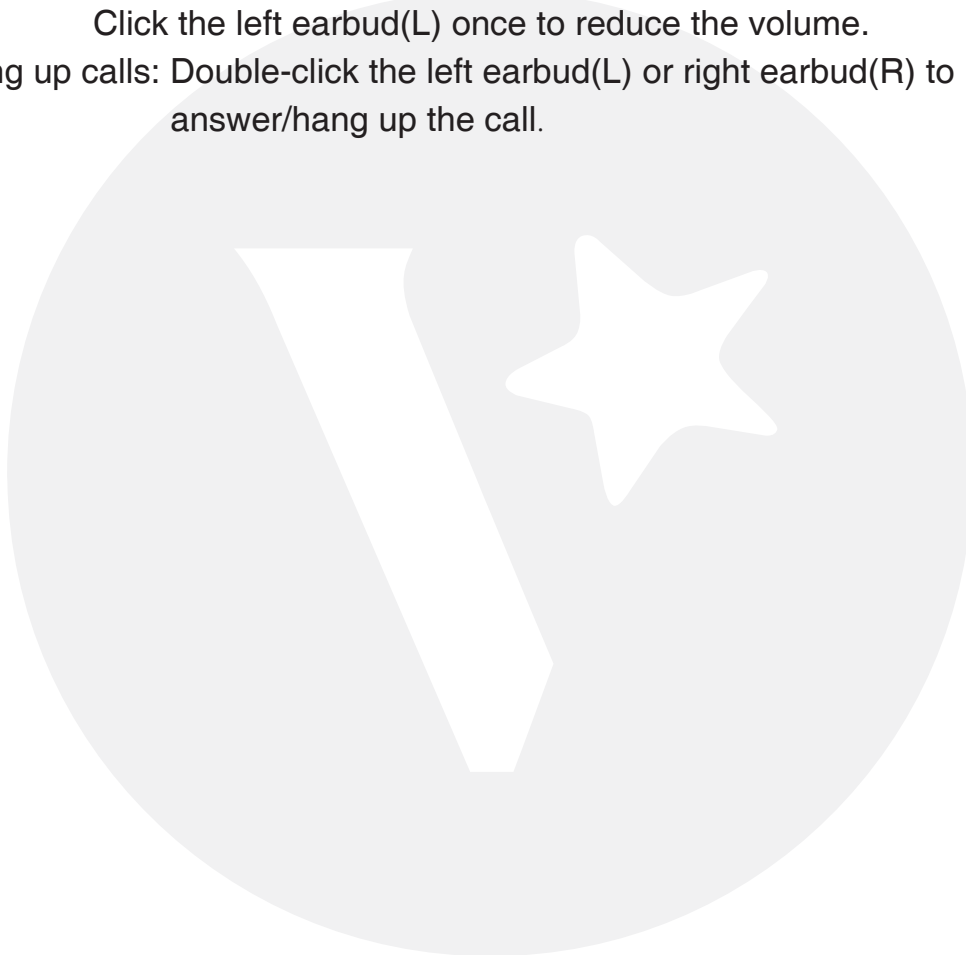
Power off: Put earbuds back into charging case to power off automatically.

If the pairing is not successful, please turn off wireless earbuds first, and then re-pair again. After pairing is successful, paired devices will remember each other. Unless pairing information is deleted because of new pairing, no need to pair when using the next time.

If you want to pair the wireless earbuds with other devices, please turn off Bluetooth function of existing source device, and pair the wireless earbuds with the new device according to steps 1-4 mentioned above.

### 3) Controls

- a) Play/Pause: the music is being played, you can double-tap the left earphone (L) or right earphone (R) to pause the music, or repeat the same operation to play the music again.
- b) Next/Previous track: Click the left earbud(L) 3 times to skip to previous song.  
Click right earbud touch surface for 2 seconds for next track.
- c) Volume up/down: Click the right earbud(R) once to increase the volume.  
Click the left earbud(L) once to reduce the volume.
- d) Answer/Hang up calls: Double-click the left earbud(L) or right earbud(R) to answer/hang up the call.



## TECHNICAL SUPPORT & WARRANTY

- For Technical Support, email us at [v.info@valore.sg](mailto:v.info@valore.sg).
- For Warranty Registration, visit [www.valore.sg](http://www.valore.sg).

### Cautions:

Read all the instructions and warnings carefully prior to using this product.

- Do not store the earbuds in a high temperature environment.
- Do not place the earbuds near a fire or other excessively hot environments.
- Do not expose this speaker to moisture or submerge it in liquid. Keep earbuds dry at all times.
- Do not attempt to charge the earbuds using any other method or connection other than the headset's provided charging cable.
- Do not disassemble this earbuds or attempt to repair or modify it in any manner.
- Be cautious of excessive drops, bumps, abrasions or other impacts to this headset. If there is any damage to the earbuds such as dents, punctures, tears, deformities or corrosion, stop using the earbuds and contact us immediately via email at [v.info@valore.sg](mailto:v.info@valore.sg), or return this product to the store where you have purchased it from.
- If the product produces an abnormal smell, high temperature (low temperature during normal use), discolours or changes shape abnormally, stop using the product and contact us immediately via email at [v.info@valore.sg](mailto:v.info@valore.sg).

### DISCLAIMER & TRADEMARKS

All information, trademarks, logos, graphics, and images ("Materials") provided on this user manual are copyrighted or trademarked and are the property of Valore Lifestyle Pte Ltd. Any unauthorized use of any material contained on the instruction manual may violate copyright laws, trademark laws, laws of privacy and communications statutes.

The trademarks, service marks and logos used and displayed in the Materials are registered and unregistered trademarks and service marks of Valore and others. All other registered and unregistered company names, product names and marks mentioned herein the ("Materials") are the property of their respective owners and may be trademarks or registered trademarks.

Complies with  
IMDA Standards  
DA102803



Inspired by Valore Singapore

For full range of Valore products visit [www.valore.sg](http://www.valore.sg)