

Thank you for purchasing the Valore True Wireless Earbuds (BTi46).

- Splash-proof
- Touch controls
- USB-C charging

Important: Please read the user manual thoroughly before using your wireless earbuds.

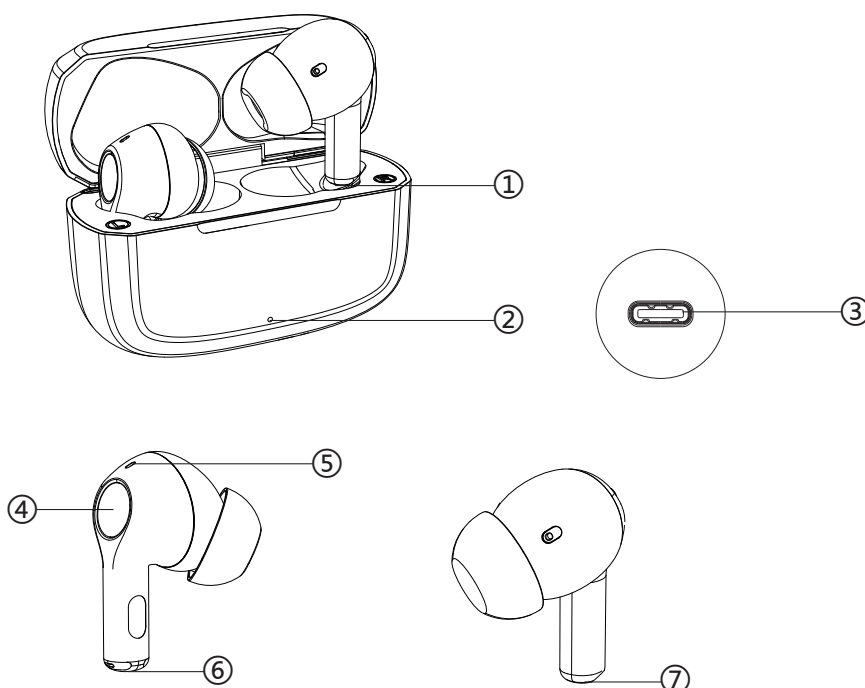
Specifications:

- Wireless range: 10m
- Battery capacity: Built-in 300mAh lithium battery (Charging case)
: Built-in 30mAh lithium battery (Earbuds)
- Charging time: Approximately 1 hour
- Standby time: Up to 100 hours
- Playback time: Up to 4 hours
- Power input: DC 5V/1A
- Supports: A2DP, HFP, HSP, AVRCP, AAC

Package Contents:

- True wireless earbuds
- USB-C charging cable
- Ear tips x 2 pairs

UNDERSTANDING THE PRODUCT



- ① Charging pins in case
- ② Charging base LED indicator
- ③ USB-C charging port
- ④ Multi-function touch area
- ⑤ Earbuds LED indicator
- ⑥ Charging pins on earbuds
- ⑦ Microphone

START USING THE WIRELESS EARBUDS

1) Charging

a) Charge the earbuds

Put the earbuds in the charging case to charge.

b) Charge the charging case

Charge the charging case with USB-C charging cable provided.

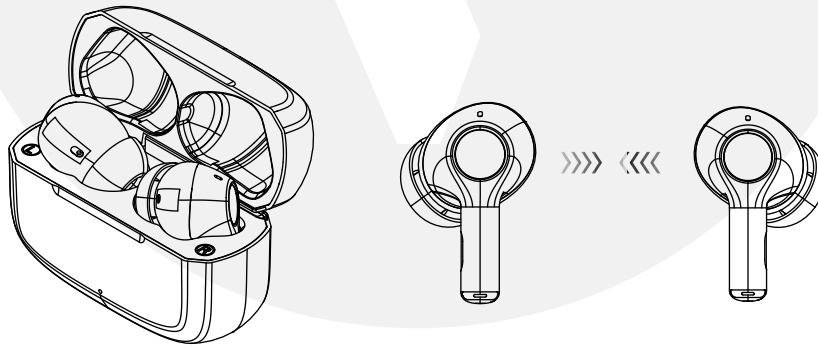
2) Power on/off

Open the charging case and take out the earbuds, it will automatically turn on or long press touch area for 2 seconds to power on.

Put the earbuds into the charging case, it will power off automatically or long press touch area for 4 seconds to power off.

3) Pairing both wireless earbuds (switched off)

Earbuds will connect to each other automatically. The main earbud will flash red and blue alternately and the blue light of the auxiliary unit flashes slowly.



Step 1: Activate Bluetooth function on your mobile device to begin pairing with earbuds.

Step 2: Remove earbuds from charging case and wait for earbuds to pair with each other.

Step 3: Connect to the earbuds by selecting 'Valore BTi46' under the device list.

Step 4: Connection successful

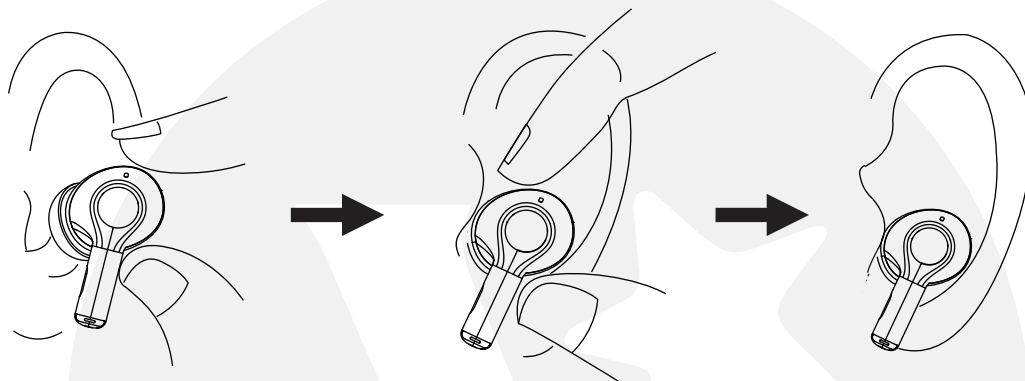
If the pairing is not successful, please turn off wireless earbuds first, and then re-pair again. For subsequent connection, when earbuds are removed from charging case, they will connect to device automatically. If you want to pair the wireless earbuds with other devices, please turn off Bluetooth function of existing source device, and pair the wireless earbuds with the new device according to steps 1-4 mentioned above.

4) Single earbud use

Remove a single earbud and close the charging case. Turn on Bluetooth on your mobile, find “Valore BTI46” and click to connect.

5) Wearing method

Attach ear caps to earbuds into ear canal and turn it gently until it does not fall when it is comfortable to fit. Wrong wearing style and unsuitable ear caps will affect the sound quality.



6) Function description

Charging Earbuds	Put the earbuds in the charging compartment under low power condition, the charging compartment will automatically charge the earbuds
Charging case LED light status indicator	The charging bay itself charging LED indicator flashes red, The charging compartment charges the earbuds and the LED indicator is steady white
Answer/hang up	Touch the earbuds 1 time on the 'multi-function touch area'
Refuse answer the call	Long press the earbuds 'multi-function touch area' for 2 seconds
Music play/pause	Touch the earbuds 1 time on the 'multi-function touch area'
next music	Double-click the right earbuds on the 'multi-function touch area'
previous music	Double-click the left earbuds on the 'multi-function touch area'
Volume +	Three-click the left earbuds on the 'multi-function touch area'
Volume -	Three-click the right earbuds on the 'multi-function touch area'
Siri	When using an iPhone, press and hold 2 seconds to start SIRI, with indication sound, Touch 1 time again to exit SIRI
charging interface port	USB-C cable charging to charge the charging case (DC5V/1A)

TECHNICAL SUPPORT & WARRANTY

- For Technical Support, email us at v.info@valore.sg.
- For Warranty Registration, visit www.valore.sg.

Cautions:

Read all the instructions and warnings carefully prior to using this product.

- Do not store the earbuds in a high temperature environment.
- Do not place the earbuds near a fire or other excessively hot environments.
- Do not expose this speaker to moisture or submerge it in liquid. Keep earbuds dry at all times.
- Do not attempt to charge the earbuds using any other method or connection other than the headset's provided charging cable.
- Do not disassemble this earbuds or attempt to repair or modify it in any manner.
- Be cautious of excessive drops, bumps, abrasions or other impacts to this headset. If there is any damage to the earbuds such as dents, punctures, tears, deformities or corrosion, stop using the earbuds and contact us immediately via email at v.info@valore.sg, or return this product to the store where you have purchased it from.
- If the product produces an abnormal smell, high temperature (low temperature during normal use), discolours or changes shape abnormally, stop using the product and contact us immediately via email at v.info@valore.sg.

DISCLAIMER & TRADEMARKS

All information, trademarks, logos, graphics, and images ("Materials") provided on this user manual are copyrighted or trademarked and are the property of Valore Lifestyle Pte Ltd. Any unauthorized use of any material contained on the instruction manual may violate copyright laws, trademark laws, laws of privacy and communications statutes.

The trademarks, service marks and logos used and displayed in the Materials are registered and unregistered trademarks and service marks of Valore and others. All other registered and unregistered company names, product names and marks mentioned herein the ("Materials") are the property of their respective owners and may be trademarks or registered trademarks.

Complies with
IMDA Standards
DA102803



Inspired by Valore Singapore

For full range of Valore products visit www.valore.sg