

Thank you for purchasing the Valore Wireless Speaker.

Enjoy powerful bass on a sleek and compact speaker that's perfect for indoor and outdoor use with its IPX5 water-resistant capability.

**Important:** Please read the user manual thoroughly before using your wireless speaker.

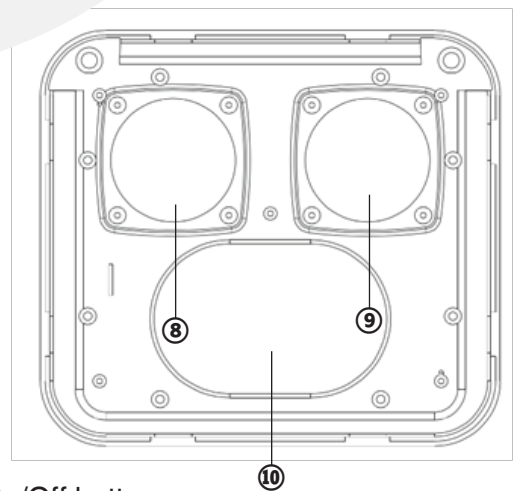
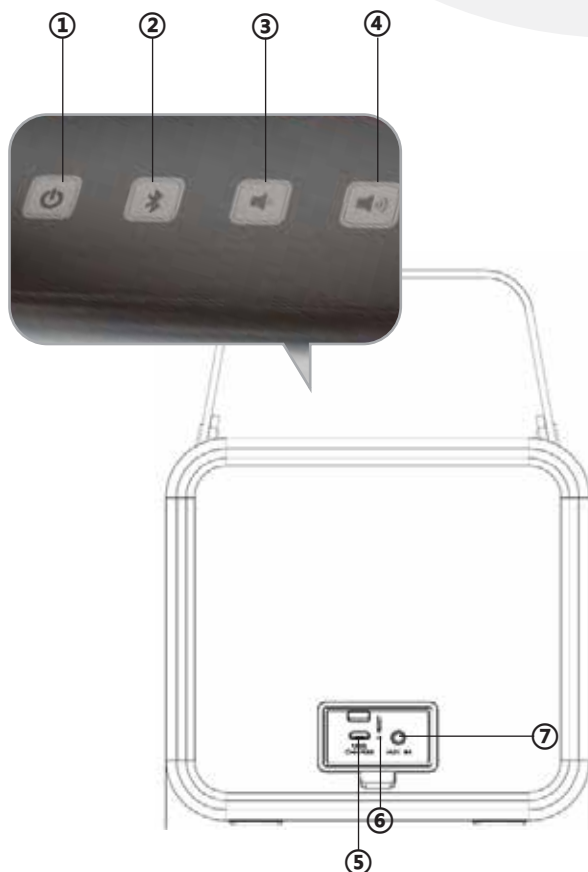
## Specifications:

- Built-in battery: 4400mAh lithium-ion battery
- Support: A2DP, HFP, HSP, EDR
- Wireless range: Up to 10m
- Power input: DC5V
- Power output: 12W
- Playback time: Up to 6 hours
- Charging time: Up to 3 hours
- Standby time: Up to 240 hours
- Material: plastic
- Dimension (L x W x H): 175 x 160 x 60mm
- Weight: 870g

## Package Contents:

- Premium Wireless Speaker
- Micro USB charging cable
- Auxiliary cable

## UNDERSTANDING THE PRODUCT



- ① On/Off button
- ② Bluetooth/Play/Pause and hands-free button
- ③ Backward button and volume ' - '
- ④ Forward button and volume ' + '
- ⑤ Micro USB charging port
- ⑥ Reset button
- ⑦ Aux in
- ⑧ Speaker 1
- ⑨ Speaker 2
- ⑩ Subwoofer

# START USING THE WIRELESS SPEAKER

## 1) Charging the speaker

Make sure that the wireless speaker is turned off before charging. Plug the adapter cable into the charging port located at the lower back of the wireless speaker and connect it to a wall plug. A red LED indicator will turn on when the speaker is charging. The red LED light will turn off when speaker is fully charged. To fully charge the speaker, it will require at least 3 hours.

Note: Please charge the speaker for at least 8 hours before first use. Please make sure that the speaker is switched off when charging is in progress.

## 2) Pairing the wireless speaker (switched off)

Step 1: Press and hold the On/Off button of the speaker until the blue LED light flashes

Step 2: Activate Bluetooth function on your mobile device to begin pairing with speaker.

Step 3: Connect to the speaker by selecting 'Valore HR701' under the device list.

Step 4: Once connected, the LED light at the Bluetooth button will indicate solid Blue.

Note: If the pairing is not successful, please turn off wireless speaker first, and then re-pair again. After pairing is successful, paired devices will remember each other. Unless pairing information is deleted because of new pairing, no need to pair when using the next time.

If you want to pair the wireless speaker with other devices, please turn off Bluetooth function of existing source device, and pair the wireless speaker with the new device according to steps 1-4 mentioned above.

## 3) Re-pairing the wireless speaker

Each time the wireless speaker is turned on, it will attempt to connect to the last device it was paired with automatically (mobile device with Bluetooth function turned on).

The wireless speaker will do as follows:

1. Connect to last connected devices automatically;
2. Be listed in the screen of devices as an output channel. Select 'Valore HR701' as the output channel to play music.

Note: In some cases, the speaker may need to be manually selected from your operating system sound or hardware output list.

## 4) Answering a phone call via the wireless speaker

Step 1: To pick up an incoming call, press the Hands-free button once to answer via the wireless speaker.

Step 2: Press again to end a call.

Step 3: Press the volume buttons to adjust the volume of the call.

## 5) Connect via auxiliary cable

You may also connect to the wireless speaker via the provided auxiliary cable with your mobile device to enjoy music of the same sound quality.

## 6) Wireless speaker controls

### a) Volume

- Control the volume via the Bluetooth device itself;
- Control the volume by press and hold the Volume +/- buttons

### b) Play and Pause music

- Press Play/Pause button to pause the music
- Press again to resume playback

### c) Next and Previous track

- Press Forward button to go to next track
- Press Backward button to go to previous track

## 7) Reset the speaker

In case the touch buttons not operate properly, press the Reset button located beside USB port by needle or other sharp stuff.

## TROUBLESHOOTING

### **Issue 1: Speaker is unable to connect successfully to your mobile device**

Problem 1: Speaker's battery is flat

Solution: Fully charge the speaker (3 hours) and retry connection with your mobile device.

Problem 2: Speaker not paired to your mobile device

Solution: Make sure that the speaker is successfully paired upon selecting 'Valore HR701' in the device list.

Problem 3: Speaker and mobile device too far apart

Solution: Make sure that the speaker is within a metre range during pairing and connection.

Problem 4: Speaker is connected to other mobile device

Solution: Make sure that the speaker has already been disconnected before making a new connection with a new device.

### **Issue 2: Sound from the speaker is too soft or silent**

Problem 1: Speaker's battery is low / flat

Solution: Fully charge the speaker (3 hours) and retry connection with your mobile device.

Problem 2: Speaker or mobile device's volume is too low

Solution: Turn the volume of the speaker or mobile device up to increase the volume.

Problem 3: Music track may not be audible

Solution: Make sure that the music track is of a playable format for the mobile device.

Problem 4: Speaker and mobile device might not be connected properly.

Solution: Repeat the connection step via Bluetooth/auxiliary cable again to make sure that it is connected properly and try again.

## TECHNICAL SUPPORT & WARRANTY

- For Technical Support, email us at [v.info@valore.sg](mailto:v.info@valore.sg).
- For Warranty Registration, visit [www.valore.sg](http://www.valore.sg).

### Cautions:

Read all the instructions and warnings carefully prior to using this product.

- Do not store the speaker in a high temperature environment.
- Do not place the speaker near a fire or other excessively hot environments.
- Do not expose this speaker to moisture or submerge it in liquid. Keep speaker dry at all times.
- Do not attempt to charge the speaker using any other method or connection other than the speaker's provided charging cable.
- Do not disassemble this speaker or attempt to repair or modify it in any manner.
- Be cautious of excessive drops, bumps, abrasions or other impacts to this speaker. If there is any damage to the speaker such as dents, punctures, tears, deformities or corrosion, stop using the speaker and contact us immediately via email at [v.info@valore.sg](mailto:v.info@valore.sg), or return this product to the store where you have purchased it from.
- If the product produces an abnormal smell, high temperature (low temperature during normal use), discolours or changes shape abnormally, stop using the product and contact us immediately via email at [v.info@valore.sg](mailto:v.info@valore.sg).

### DISCLAIMER & TRADEMARKS

All information, trademarks, logos, graphics, and images ("Materials") provided on this user manual are copyrighted or trademarked and are the property of Valore Lifestyle Pte Ltd. Any unauthorized use of any material contained on the instruction manual may violate copyright laws, trademark laws, laws of privacy and communications statutes.

The trademarks, service marks and logos used and displayed in the Materials are registered and unregistered trademarks and service marks of Valore and others. All other registered and unregistered company names, product names and marks mentioned herein the ("Materials") are the property of their respective owners and may be trademarks or registered trademarks.

Complies with  
IDA standards  
DA 103331



Inspired by Valore Singapore

For full range of Valore products visit [www.valore.sg](http://www.valore.sg)