

Deep Bass Wireless Over-Ear Headset (HS0011)

VALORE

Thank you for purchasing the Valore Deep Bass Wireless Over-Ear Headset (HS0011).

Enjoy rich audio music and clear conversations in brilliant detail on-the-go with the Valore wireless headset. Plus, a fully-adjustable headband provides the ultimate fit for every music lover.

Important: Please read the user manual thoroughly before using your wireless headset.

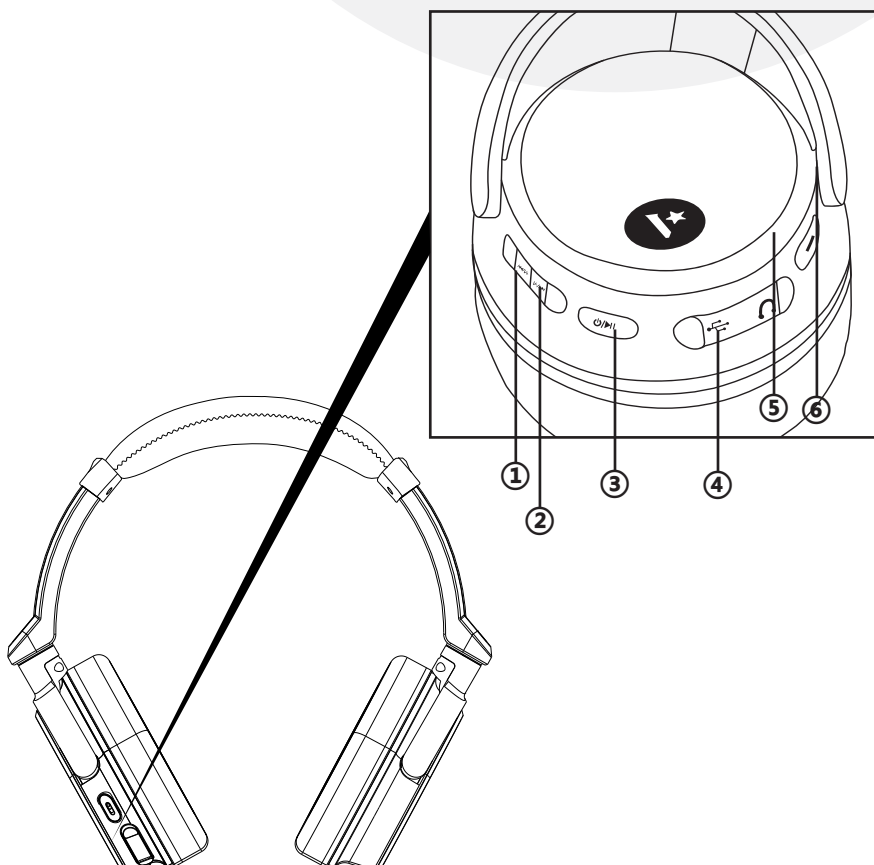
Specifications:

- Wireless range: 10m
- Battery type: Built-in rechargeable 450mAh Li-ion battery
- Charging time: 4 hours
- Playback time: 18 hours
- Standby time: 240 hours
- Power input: DC5V/1A
- Material: ABS + Protein Leather
- Dimension (L x W x D): 190 x 185 x 65mm
- Weight: 204g

Package Contents:

- Deep Bass Wireless Over-Ear Headset
- Micro USB charging cable (600mm)
- 3.5mm Auxiliary cable (1200mm)

UNDERSTANDING THE PRODUCT



- ① Previous / Volume '+'
- ② Next / Volume '-'
- ③ Multi-functional button / LED indicator
- ④ Micro USB charging port
- ⑤ 3.5mm plug port
- ⑥ Mic

START USING THE WIRELESS HEADSET

1) Charging the wireless headset

Connect the USB charging cable to the headset located on the side of the left headset.

Note: Please charge the headset for at least 8 hours before first use. Please make sure that the headset is switched off when charging is in progress.

COLOR	STATUS	INDICATE
Red	Blinking	Low battery
Red	Solid	Charging
Lights go off		Charging complete
Blue and Red	Altering Blinks	Pairing
Blue	Blink every 5 seconds	Connected successfully

2) Pairing the wireless headset (switched off)

Step 1: Activate Bluetooth function on your mobile device to begin pairing with headset.

Step 2: Press and hold onto the Multi-functional button until the LED light flickers red and blue.

Step 3: Connect to the headset by selecting 'Valore HS0011' under the device list.

Step 4: Once connected, the LED light at the Bluetooth button will blink blue in interval of 5 seconds.

Note: If the pairing is not successful, please turn off wireless headset first, and then re-pair again. After pairing is successful, paired devices will remember each other. Unless pairing information is deleted because of new pairing, no need to pair when using the next time.

If you want to pair the wireless headset with other devices, please turn off Bluetooth function of existing source device, and pair the wireless headset with the new device according to steps 1-4 mentioned above.

3) Wireless headset controls

Multi-functional button:

Press and hold for 2 seconds to ON.

Press and hold for 4 seconds to OFF.

Press to Play / Pause music.

Press to answer / hang up call.

When incoming call, press and hold to reject call.

Press and hold for 8 seconds until red and blue LED blink to pair.

Previous / Volume '+'

Press for previous song.

Press and hold to increase volume.

Next / Volume '-'

Press for next song.

Press and hold to decrease volume.

TROUBLESHOOTING

Issue 1: headset is unable to connect successfully to your mobile device

Problem 1: Headset's battery is flat

Solution: Fully charge the headset (4 hours) and retry connection with your mobile device.

Problem 2: Headset not paired to your mobile device

Solution: Make sure that the headset is successfully paired upon selecting 'Valore HS0011' in the device list.

Problem 3: Headset and mobile device too far apart

Solution: Make sure that the headset is within a metre range during pairing and connection.

Problem 4: Headset is connected to other mobile device

Solution: Make sure that the headset has already been disconnected before making a new connection with a new device.

Issue 2: Sound from the headset is too soft or silent

Problem 1: Headset's battery is low / flat

Solution: Fully charge the headset (4 hours) and retry connection with your mobile device.

Problem 2: Headset or mobile device's volume is too low

Solution: Turn the volume of the headset or mobile device up to increase the volume.

Problem 3: Music track may not be audible

Solution: Make sure that the music track is of a playable format for the mobile device.

Problem 4: Headset and mobile device might not be connected properly.

Solution: Repeat the connection step via Bluetooth/auxiliary cable again to make sure that it is connected properly and try again.

TECHNICAL SUPPORT & WARRANTY

- For Technical Support, email us at v.info@valore.sg.
- For Warranty Registration, visit www.valore.sg.

Cautions:

Read all the instructions and warnings carefully prior to using this product.

- Do not store the headset in a high temperature environment.
- Do not place the headset near a fire or other excessively hot environments.
- Do not expose this headset to moisture or submerge it in liquid. Keep headset dry at all times.
- Do not attempt to charge the headset using any other method or connection other than the headset's provided charging cable.
- Do not disassemble this headset or attempt to repair or modify it in any manner.
- Be cautious of excessive drops, bumps, abrasions or other impacts to this headset. If there is any damage to the headset such as dents, punctures, tears, deformities or corrosion, stop using the headset and contact us immediately via email at v.info@valore.sg, or return this product to the store where you have purchased it from.
- If the product produces an abnormal smell, high temperature (low temperature during normal use), discolours or changes shape abnormally, stop using the product and contact us immediately via email at v.info@valore.sg.

DISCLAIMER & TRADEMARKS

All information, trademarks, logos, graphics, and images ("Materials") provided on this user manual are copyrighted or trademarked and are the property of Valore Lifestyle Pte Ltd. Any unauthorized use of any material contained on the instruction manual may violate copyright laws, trademark laws, laws of privacy and communications statutes.

The trademarks, service marks and logos used and displayed in the Materials are registered and unregistered trademarks and service marks of Valore and others. All other registered and unregistered company names, product names and marks mentioned herein the ("Materials") are the property of their respective owners and may be trademarks or registered trademarks.

Complies with
IMDA Standards
DA103331



Inspired by Valore Singapore

For full range of Valore products visit www.valore.sg