

Thank you for purchasing the Valore Mini Drone.

Enjoy a smooth piloting experience with this responsive, stable and easy to navigate mini drone. Its one-key return function ensures a hassle free passage back to you.

Important: Please read the user manual thoroughly before using your Mini Drone.

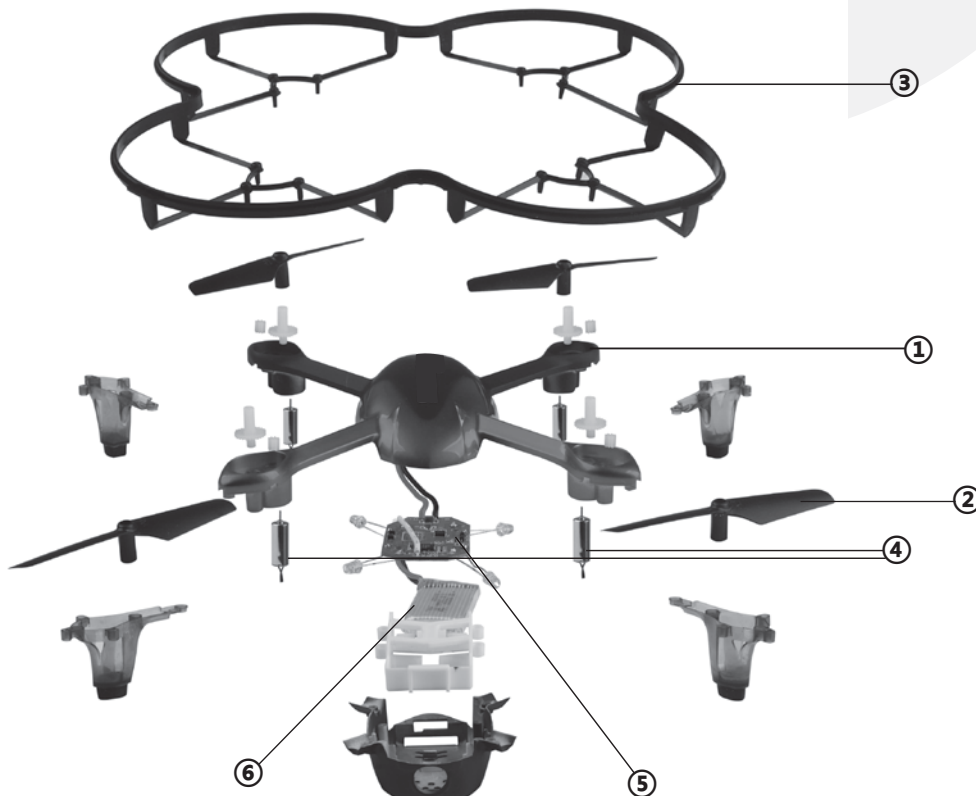
Specifications:

- Maximum speed: 35km/h
- Maximum charging time: 50 mins
- Controller wireless range: 50m max (outdoor)
- Material: ABS
- Battery for drone: 3.7V 250mAh (included)
- Drone dimensions (L x W x H): 150 x 150 x 40mm
- Controller dimensions (L x W x H): 150 x 170 x 70mm
- Drone weight: 38g
- Controller weight: 183g

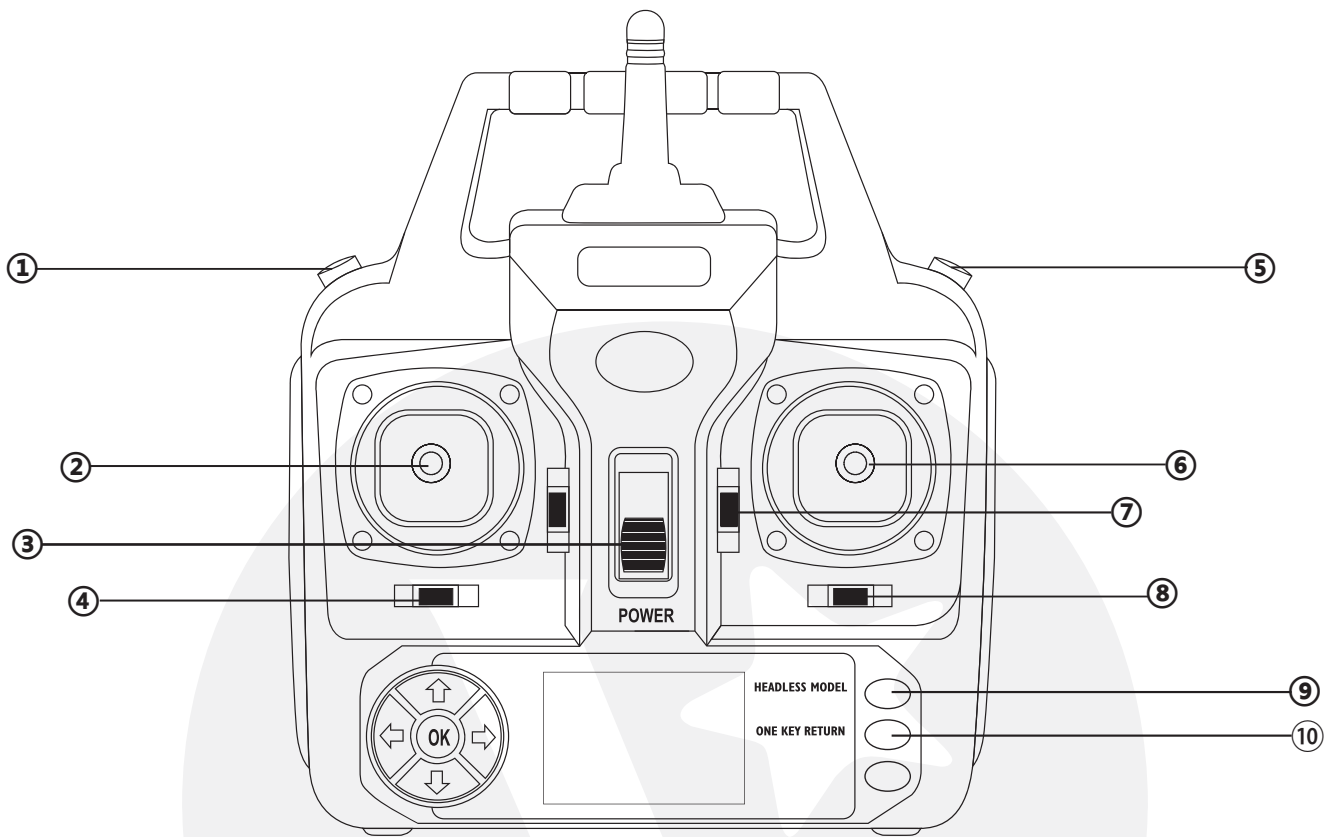
Package Contents:

- Mini Drone
- 2.4G remote controller
(4 x AA batteries not included)
- Extra blade x 4
- Screwdriver
- USB cable

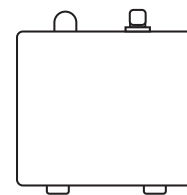
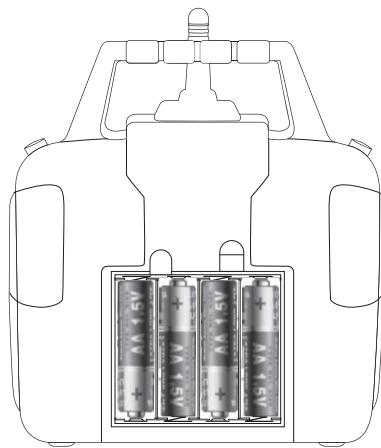
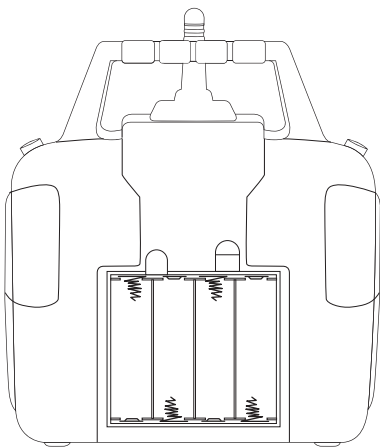
UNDERSTANDING THE PRODUCT



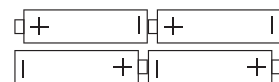
- ① Body cover
- ② Main blades
- ③ Protecting frame
- ④ Motor
- ⑤ Receiver board
- ⑥ Battery



- ① High/Low speed switch
- ② Left control lever (Accelerator)
- ③ Power On/Off switch
- ④ Sideward fine-tuning
- ⑤ 3D eversion state
- ⑥ Right control lever
- ⑦ Backward/Forward fine-tuning
- ⑧ Left/Right fine-tuning
- ⑨ Intelligent direction (headless mode)
- ⑩ Fly back (One key return)



Battery Cover



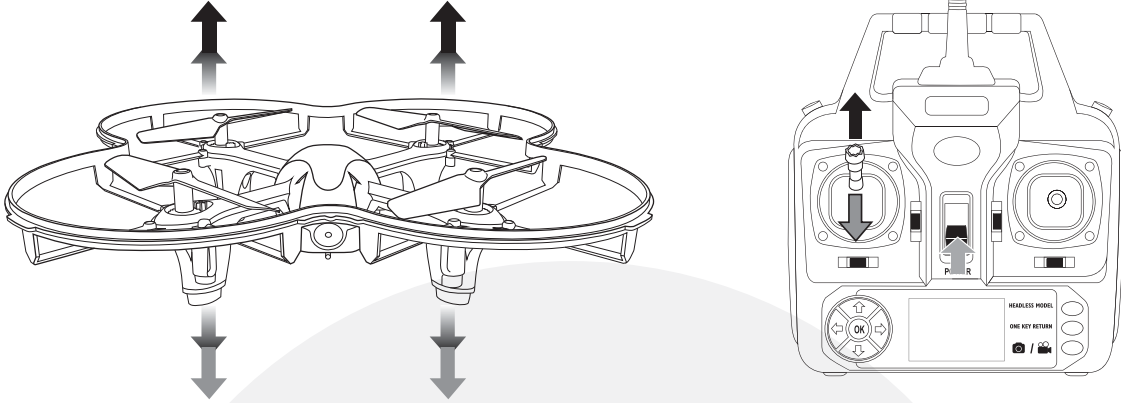
(4 x AA batteries not included)

START USING MINI DRONE

1) Operating direction.

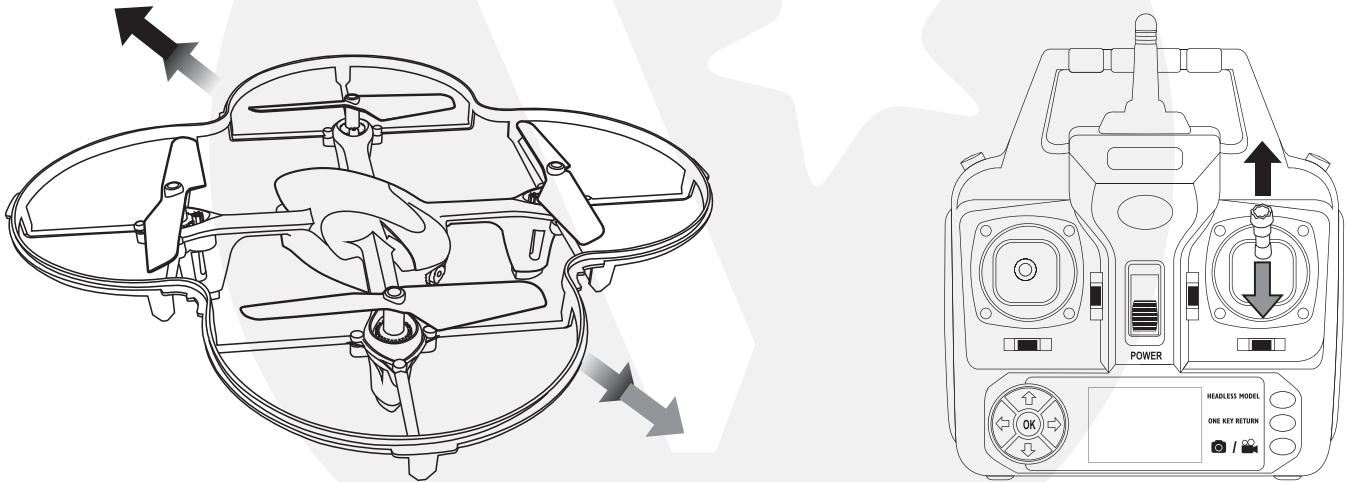
a) Hovering up and down

Press Power On/Off switch up to turn on.



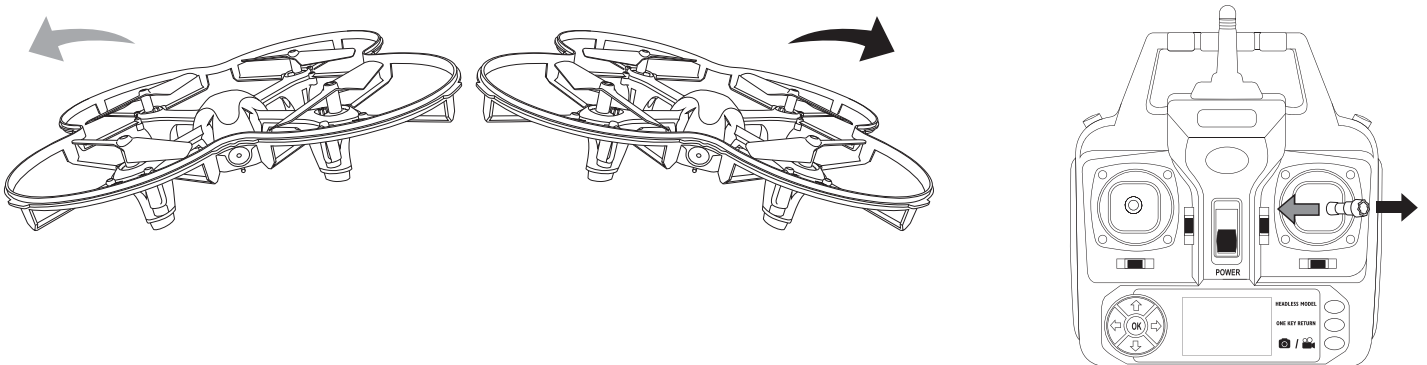
Push left control lever up or down, the mini drone flies upward or downward.

b) Forward and backward



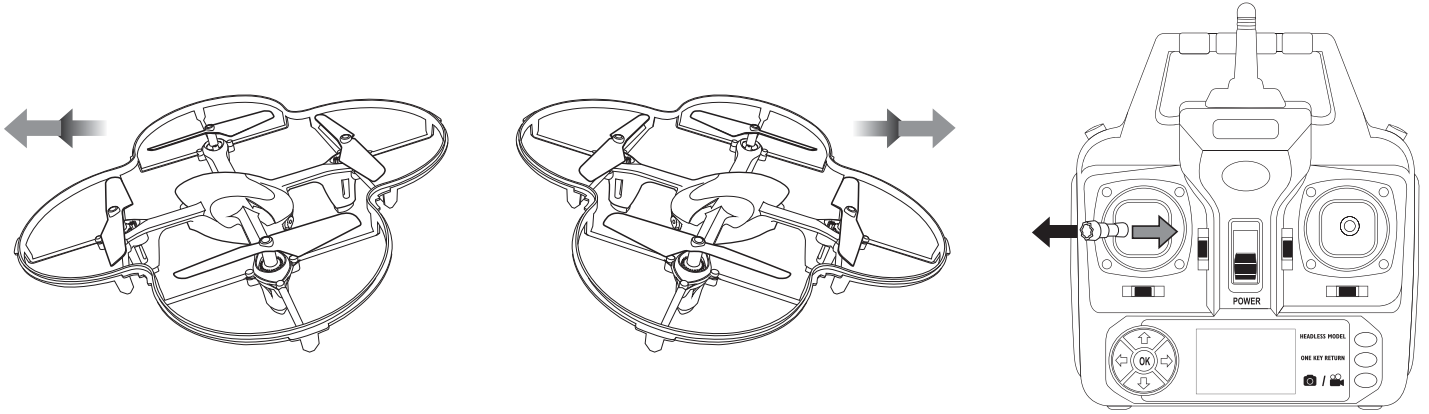
Push right control lever up or down, the mini drone flies forward or backward.

c) Turn left and right



Push right control lever left or right, the mini drone turns to left or right.

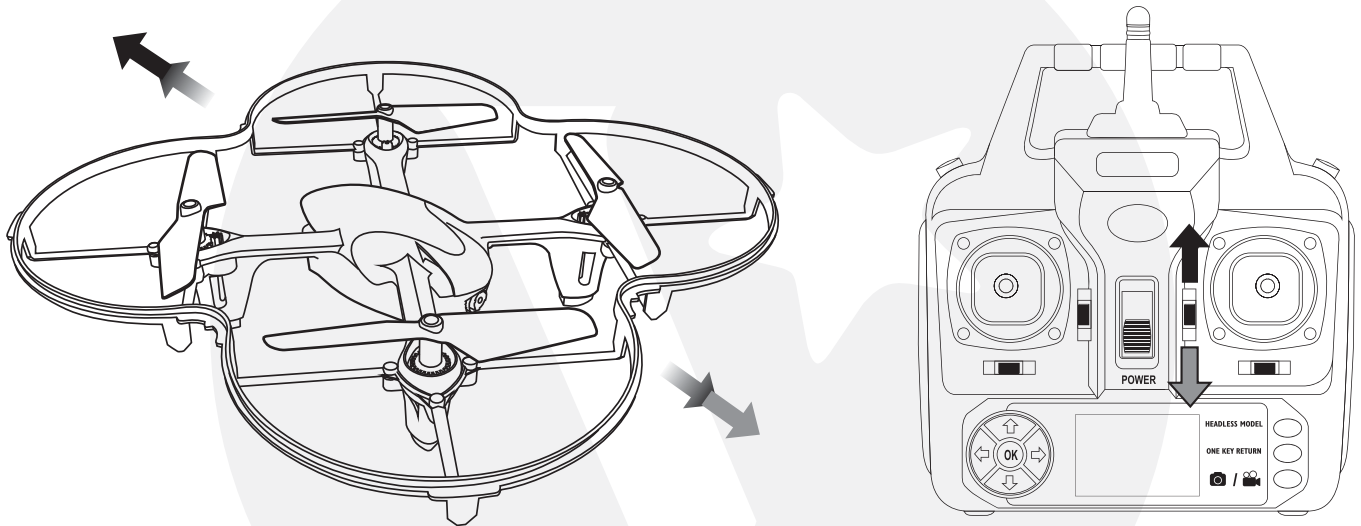
d) Sideward fly



Pull the left control lever left or right, the mini drone will fly left or right accordingly.

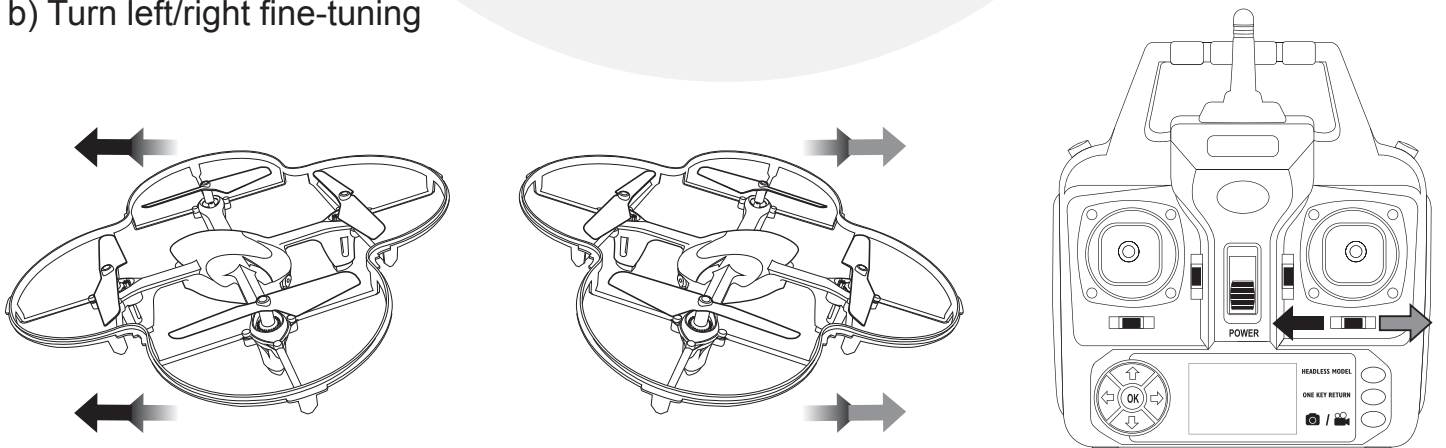
2) Fine-tuning operation.

a) Forward/Backward fine-tuning



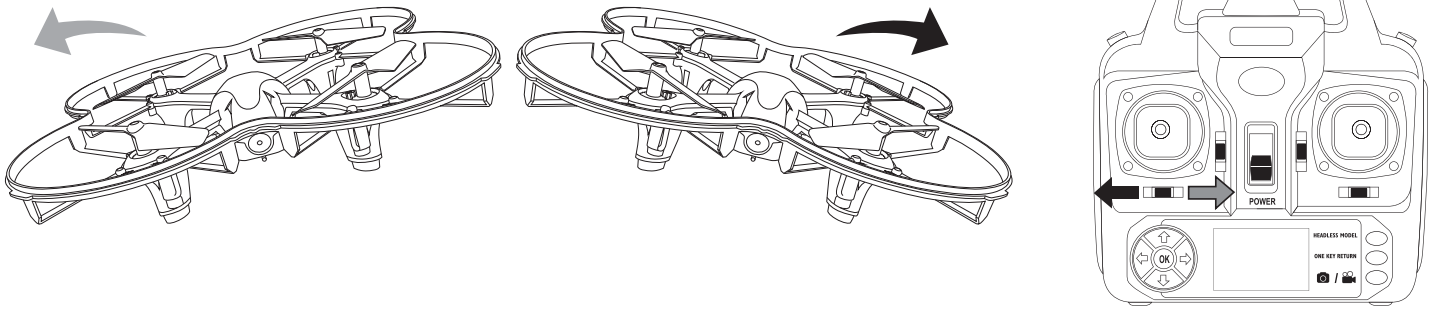
When mini drone keeps flying forward/backward, you can correct it by pressing the right fine-tuning button up or down.

b) Turn left/right fine-tuning



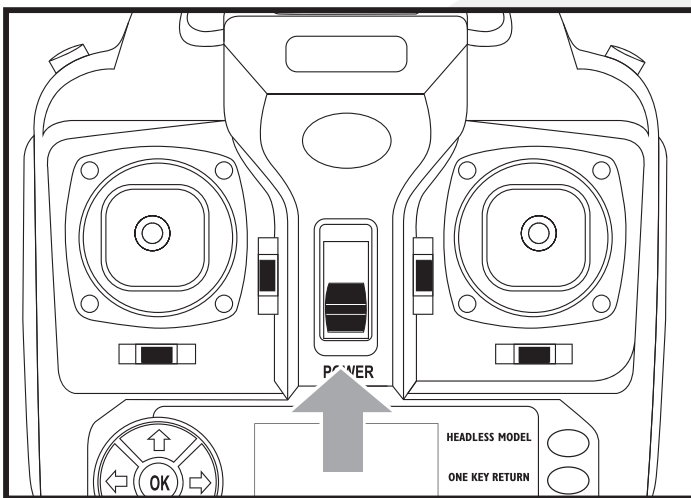
When mini drone keeps flying left/right, you can correct it by pressing the right fine-tuning button left or right.

c) Sideward fly fine-tuning

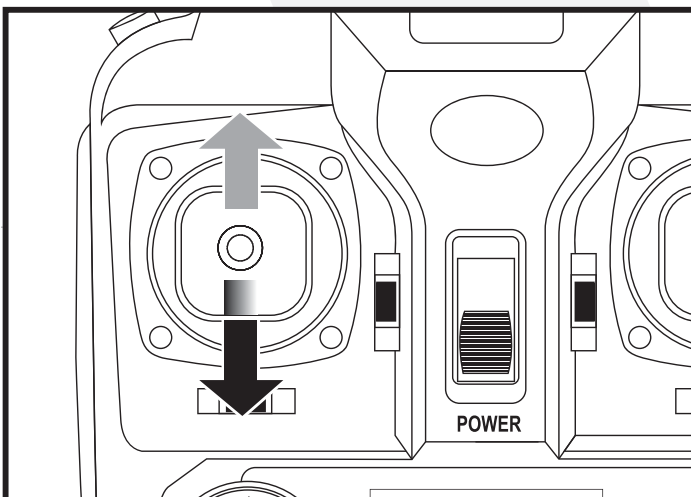


When mini drone keeps rotating to left/right, you can correct it by pressing the left fine-tuning button left or right.

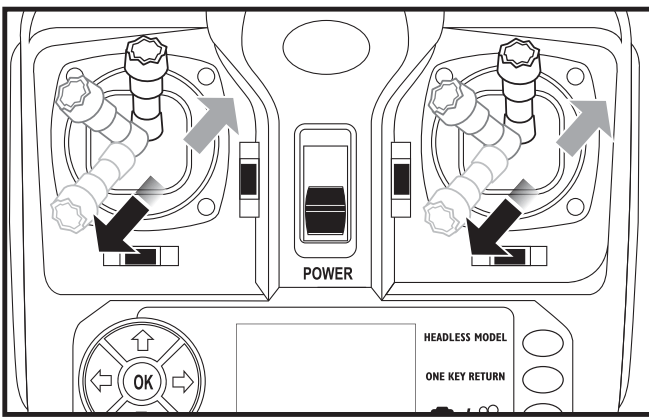
3) Operating the mini drone.



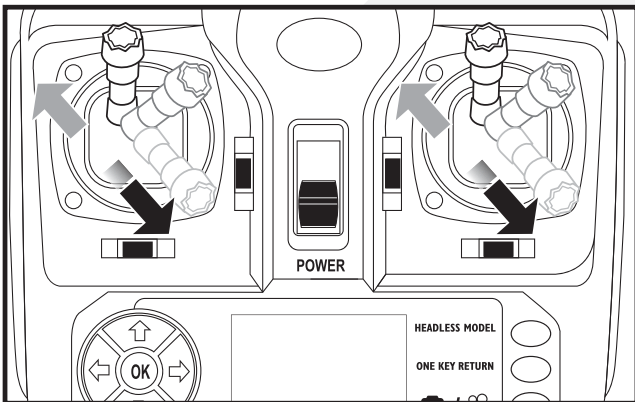
Press the Power On/Off switch up to turn on the transmitter.



When the mini drone indicator flashes from quick to slow, push the left control lever to the highest position, then pull it down to the lowest point. The mini drone indicator will then flash from slow to fully lit.

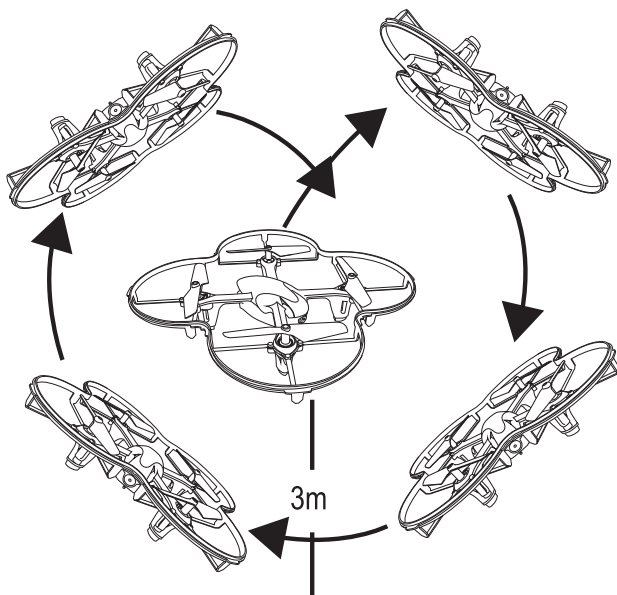


Reset the default direction of the intelligent direction mode (headless mode), place the mini drone with the back facing you, push both control lever to lowest left corner for 3-5 seconds. At the same time, indicator on the mini drone will change from lit to slowly flashing. After hearing a beep, return both control lever to the middle position. At this time, the indicator on the mini drone will flash for 1-2 seconds to fully lit. The mini drone have now reset/restart successfully.

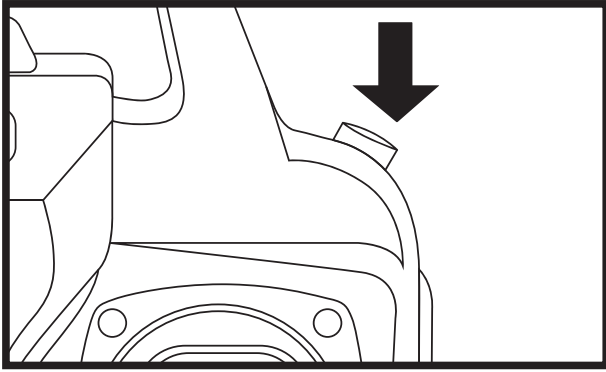


Reset the horizontality of the mini drone as default. Place the mini drone in a horizontality position, push both control lever to lowest right corner for 3-5 seconds. At the same time, indicator on the mini drone will change from lit to slowly flashing. After hearing a beep, return both control lever to the middle position. At this time, the indicator on the mini drone will flash for 1-2 seconds to fully lit. The mini drone have now reset/restart successfully.

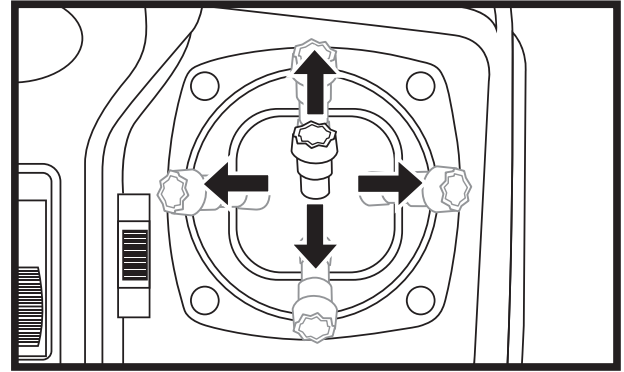
4) 3D eversion



When you are more familiar with the basic controls of the mini drone, you can do some awesome stunts by using the 3D eversion function.

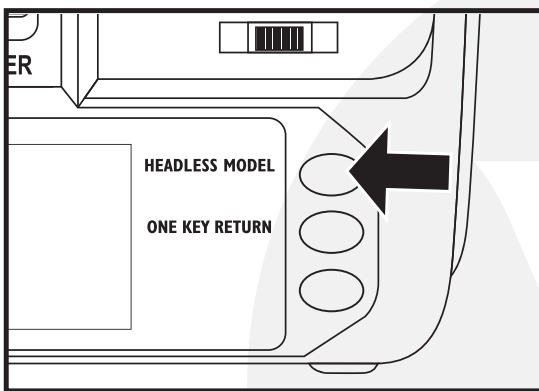


1) Press 3D eversion key



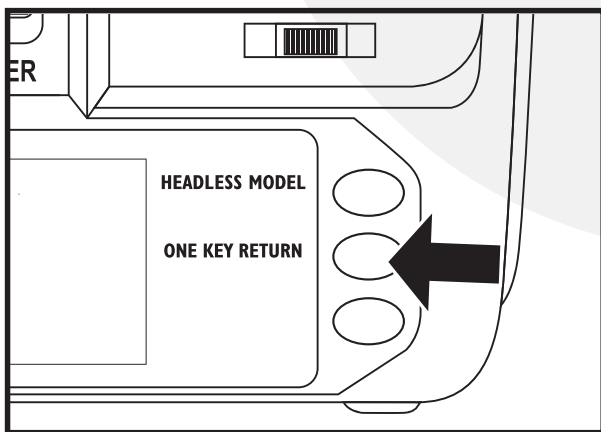
2) Press the direction that you want to 3D eversion.

4) Headless function



Press the button on the controller, you will hear 2 beeps, then you will get into headless flying mode. To quit, press the button again, you will hear a beep.

5) One key return function



Press the button on the controller, you will hear a beep, then you will get into one key return mode. To quit, press the button again.

When the drone is taking off, press the one key return button, the indicator on the mini drone will start flashing. Make sure the red indicator light is on it's front direction. You will hear a beep sound when you have enter the one key return function. The drone will fly back to where is started flying from.

TECHNICAL SUPPORT & WARRANTY

- For Technical Support, email us at v.info@valore.sg.
- For Warranty Registration, visit www.valore.sg.

Cautions:

Read all the instructions and warnings carefully prior to using this product.

- Do not store the mini drone in a high temperature environment.
- Do not place the mini drone near a fire or other excessively hot environments.
- Do not expose this mini drone to moisture or submerge it in liquid. Keep mini drone dry at all times.
- Do not disassemble this mini drone or attempt to repair or modify it in any manner.
- Be cautious of excessive drops, bumps, abrasions or other impacts to this mini drone. If there is any damage to the mini drone such as dents, punctures, tears, deformities or corrosion, stop using the mini drone and contact us immediately via email at v.info@valore.sg, or return this product to the store where you have purchased it from.
- If the product produces an abnormal smell, high temperature (low temperature during normal use), discolours or changes shape abnormally, stop using the product and contact us immediately via email at v.info@valore.sg.

DISCLAIMER & TRADEMARKS

All information, trademarks, logos, graphics, and images (“Materials”) provided on this user manual are copyrighted or trademarked and are the property of Valore Lifestyle Pte Ltd. Any unauthorized use of any material contained on the instruction manual may violate copyright laws, trademark laws, laws of privacy and communications statutes.

The trademarks, service marks and logos used and displayed in the Materials are registered and unregistered trademarks and service marks of Valore and others. All other registered and unregistered company names, product names and marks mentioned herein the (“Materials”) are the property of their respective owners and may be trademarks or registered trademarks.

Complies with
IDA standards
DA 103331



Inspired by Valore Singapore

For full range of Valore products visit www.valore.sg