

Valore BLUEJAY – Foldable Mini Drone with WiFi Camera (LA17)

VALORE

Thank you for purchasing the Valore BLUEJAY – Foldable Mini Drone with WiFi Camera (LA17).

Enjoy a smooth piloting and real-time transmission experience with this responsive, stable and easy to navigate Valore BLUEJAY by the touch of your smartphone/tablet screen. With one key take off or land, altitude hold and 360° flight flip functions, this drone empowers you to push your creative boundaries.

Important: Please read the user manual thoroughly before using your Mini Drone.

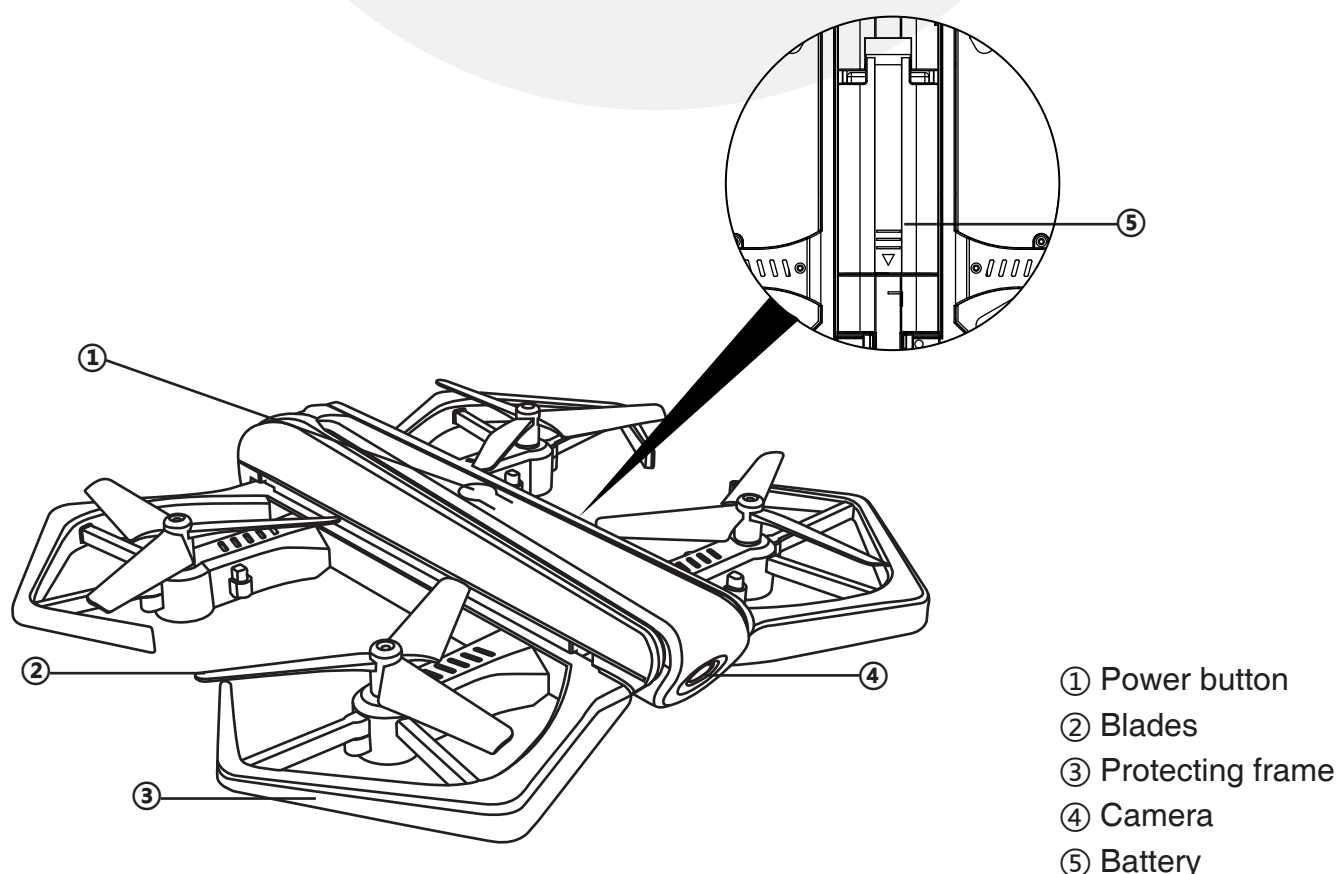
Specifications:

- Wireless range: Up to 50m
- Maximum speed: 20km/h
- Video resolution: 720P
- Battery type: 3.7V 450mAh polymer battery
- Material: ABS
- Dimensions (H x W x D): 150 x 168 x 30mm
- Folded dimensions (H x W x D): 98 x 150 x 41mm
- Weight: 76g

Package Contents:

- Drone with WiFi camera
- USB charging cable
- Blade x 4
- Blade removal tool

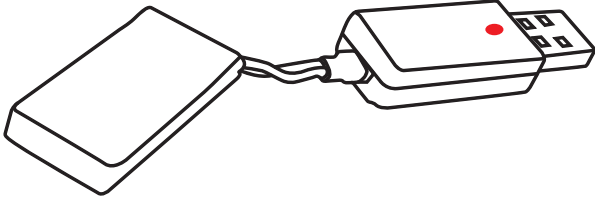
UNDERSTANDING THE PRODUCT



START USING FOLDABLE MINI DRONE WITH WIFI CAMERA

1) Charging battery

Slide open the battery cover and detach the battery from the drone. Charge only using the USB charger provided. When battery is fully charged, the red indicator on the USB charger will go off.



2) Software download and connection

Scan the QR Code below as per your Smartphone version to download the right software for the application store or search 'VS FPV' on your application store.



IOS



Android



Google

Step 1: Turn on the drone by pressing the power button. The indicator will begin to flash rapidly. Carefully place drone on a flat surface.

Step 2: Turn on your device's WiFi and connect to "LA17". After connection is successful, launch the 'VS FPV' application and select 'connect' to enter into control interface.

3) Application controls



1. Throttle control
2/3.Left/Right roll
4/5/6/7.Direction control
left/right/forward/backward

8/9.Forward/Backward fine-tune
10/11.Left/Right roll fine-tune
12/13.Left/Right fine-tune



- F1.Return
- F2.Take Photo
- F3.Record video
- F4.Media
- F5.Speed level
- F6.Altitude hold
- F7.Gravity sensor mode
- F8.Show/Hide control interface
- F9.Extra Settings
- F10.360° roll

- F11.Take off
- F12.Emergency stop
- F13.Landing
- F14.Reverse the screen
- F15.3D display
- F16.Headless mode
- F17.Gyroscope calibration

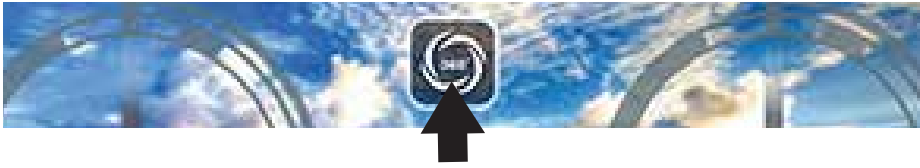
a) One key take off / landing

Place the drone on a flat level surface and click the icon on the bottom left screen to take off. After the drone takes off, it can at a certain height. Click the icon on the bottom right screen to land.



b) One key 360° flip/roll

When the drone is hovering, click the one key 360 flip/roll icon in the center of the screen, the drone will fly flipping.



c) Flight speed setting

When flying the drone, you can choose 3 different speed modes. The higher the percentage, the more sensitive the drone reacts.

30% - Beginners mode

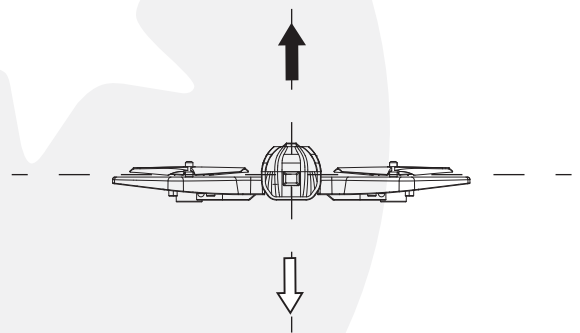
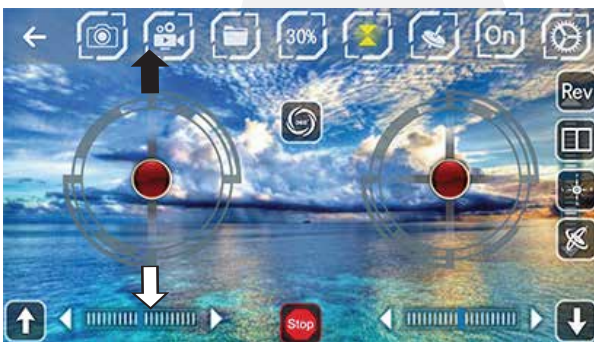
60% - Intermediate mode

100% - Advanced mode



d) Ascend/Descend

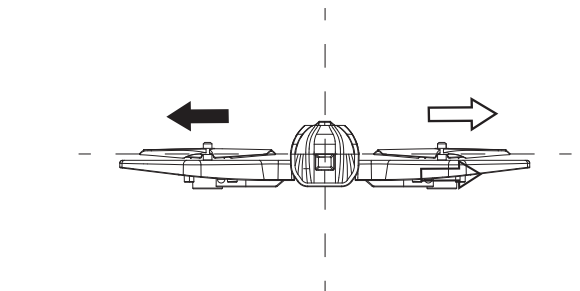
Push up the left throttle joystick to ascend. Push down the left throttle joystick to descend.



d) Left/Right

Push the right joystick to the left to fly towards the left side.

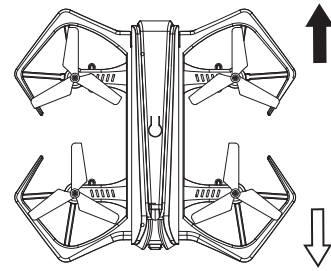
Push the right joystick to the right to fly towards the right side.



e) Forward/Backward

Push the right joystick up to fly forward.

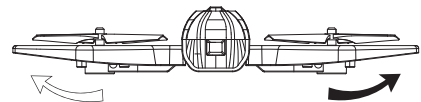
Push the right joystick down to fly backward.



f) Rotation

Push the left joystick left to rotate left.

Push the left joystick right to rotate right.

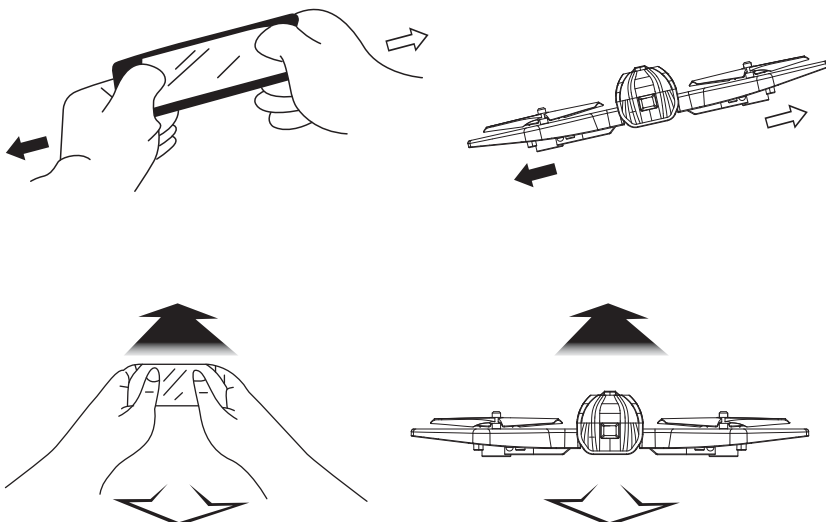


g) Gravity sensor control

The gravity sensor control is off on default. Click the icon, it will turn yellow indicating ON status.



When gravity sensor is on, you still need to move the throttle stick to control the height and rotating direction. Tilt your device to control the drone left/right, forward/backward.



TECHNICAL SUPPORT & WARRANTY

- For Technical Support, email us at v.info@valore.sg.
- For Warranty Registration, visit www.valore.sg.

Cautions:

Read all the instructions and warnings carefully prior to using this product.

- Do not store the mini drone in a high temperature environment.
- Do not place the mini drone near a fire or other excessively hot environments.
- Do not expose this mini drone to moisture or submerge it in liquid. Keep mini drone dry at all times.
- Do not disassemble this mini drone or attempt to repair or modify it in any manner.
- Be cautious of excessive drops, bumps, abrasions or other impacts to this mini drone. If there is any damage to the mini drone such as dents, punctures, tears, deformities or corrosion, stop using the mini drone and contact us immediately via email at v.info@valore.sg, or return this product to the store where you have purchased it from.
- If the product produces an abnormal smell, high temperature (low temperature during normal use), discolours or changes shape abnormally, stop using the product and contact us immediately via email at v.info@valore.sg.

DISCLAIMER & TRADEMARKS

All information, trademarks, logos, graphics, and images (“Materials”) provided on this user manual are copyrighted or trademarked and are the property of Valore Lifestyle Pte Ltd. Any unauthorized use of any material contained on the instruction manual may violate copyright laws, trademark laws, laws of privacy and communications statutes.

The trademarks, service marks and logos used and displayed in the Materials are registered and unregistered trademarks and service marks of Valore and others. All other registered and unregistered company names, product names and marks mentioned herein the (“Materials”) are the property of their respective owners and may be trademarks or registered trademarks.

Complies with
IMDA Standards
DA103331



Inspired by Valore Singapore

For full range of Valore products visit www.valore.sg