

# Valore Luggage Belt With Digital Scale & TSA Lock (LA19)

# VALORE

Thank you for purchasing the Valore Luggage Belt With Digital Scale & TSA Lock (LA19).

- Avoid overweight charges
- Up to 1800mm adjustable strap
- 3-digit TSA approved combination lock

Important: Please read the user manual thoroughly before using the product.

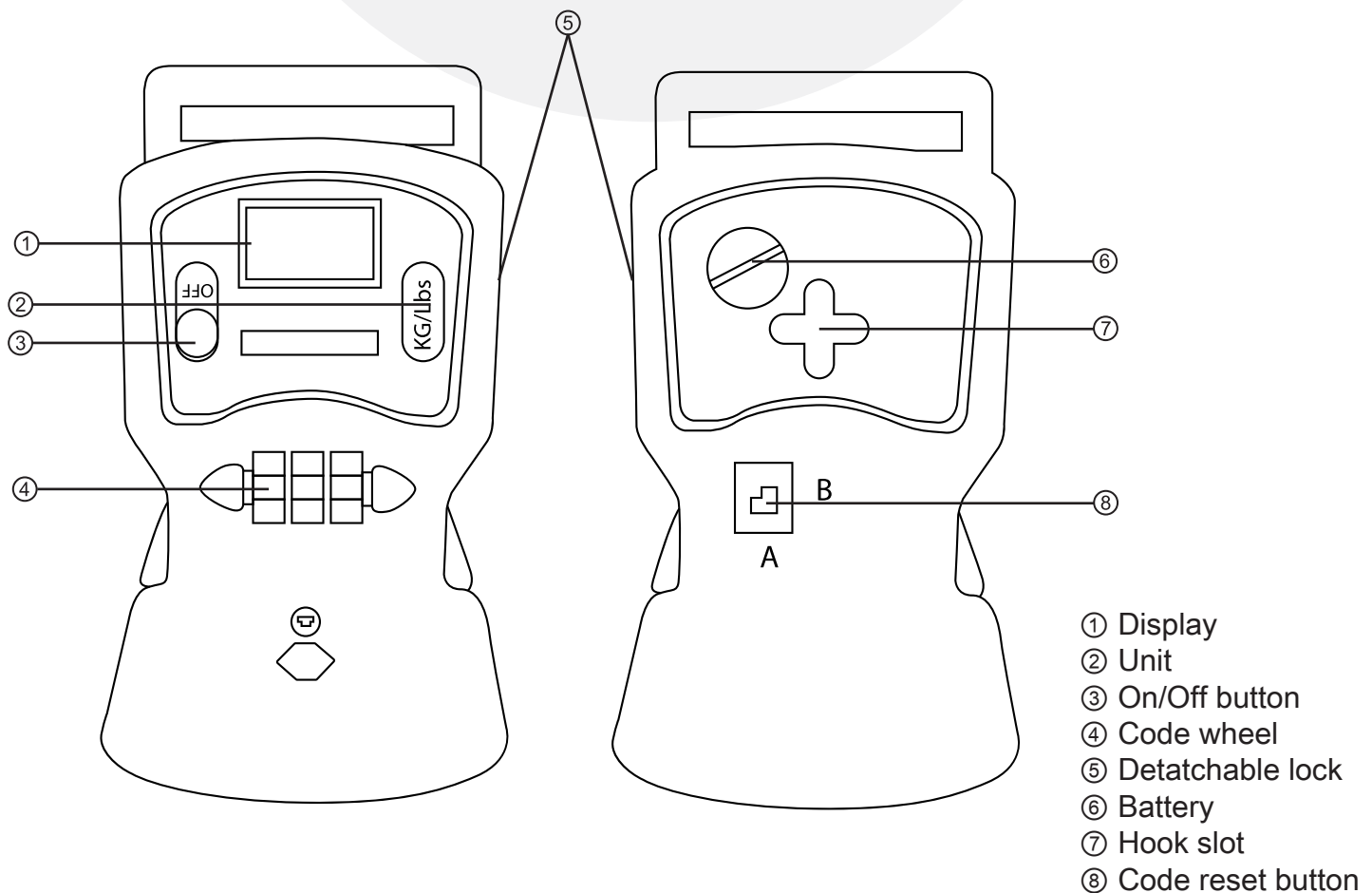
## Specifications:

- Weighing unit: lb/kg
- Capacity: 30kg
- Dimensions (L x W): 1800 x 50mm
- Material: Polymer
- Weight: 195g

## Package Contents:

- Luggage belt with digital scale & TSA lock
- Metal hook

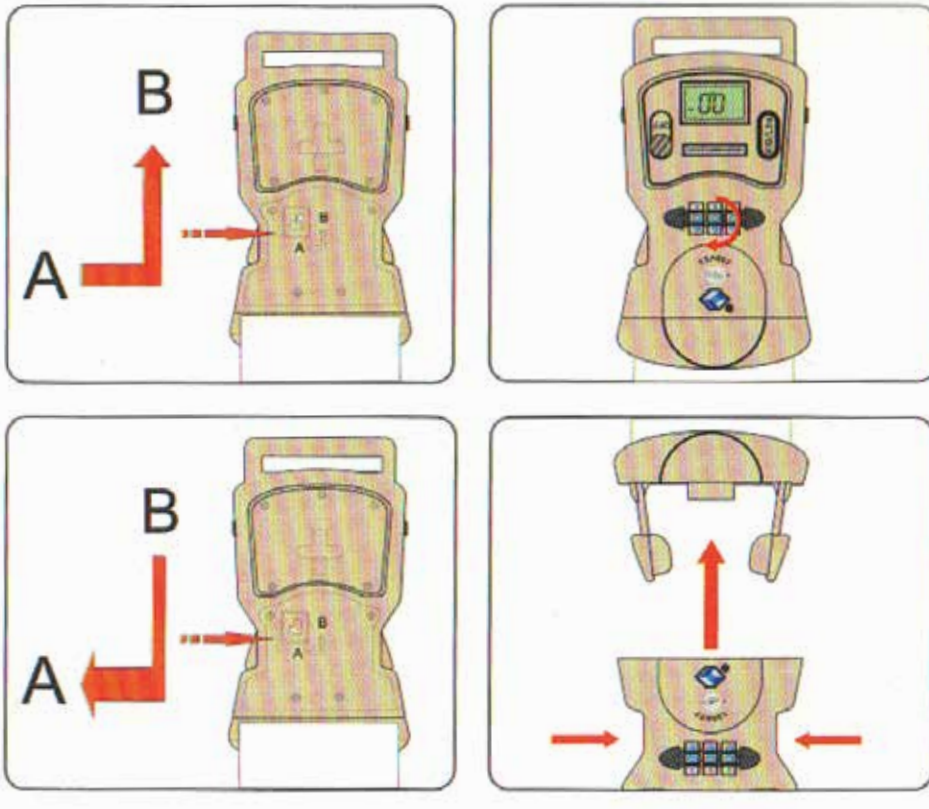
## Understanding the product



## Start using the luggage belt with digital scale & TSA lock

### 1. Reset passcode

The initial lock code is 0-0-0. Plug in the buckle, hold and press the code reset button. Change the code wheel to set your personal code. Release code rest button to complete.



### 2. On/Off

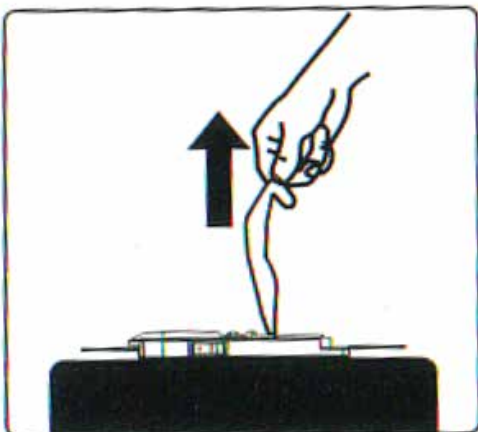
Slide power button to On/Off digital scale.

### 3. Changing unit

Press unit button to switch between kg/lb.

### 4. Weighing luggage

Attach the strap to your luggage and lift luggage with the webbing until "Hold" is displayed on the right. The weight of luggage will be shown in the display.



Note: The weight reading will not be displayed if object is less than 1Kg.  
Err will be displayed if your luggage is over 40.0Kg.

## 5. Tare function

- a. Weigh the container by itself first.
- b. Once the screen displays the container weight with “Hold” on the right. continue to lift the container and press unit button to reset the scale to 0.0kg.  
Tare is in the lowest right corner.
- c. Put the luggage to be weighed in the container. The luggage weight will be displayed on screen,
- d. Press unit button, the scale will display 0.0Kg. Put the luggage and container down, the gross weight will be displayed on the screen.
- e. Press the unit button to reset the display to 0.0Kg.

