

Valore Infrared Sensor Automatic Soap Dispenser (LA25)

VALORE

Thank you for purchasing the Valore Infrared Sensor Automatic Soap Dispenser (LA25).

- Auto induction
- Thick and bubbly foam
- No-contact dispenser
- Infrared sensor
- Use 1:6 liquid soap to water ratio
- Can use foam soap directly

Important: Please read the user manual thoroughly before using your soap dispenser.

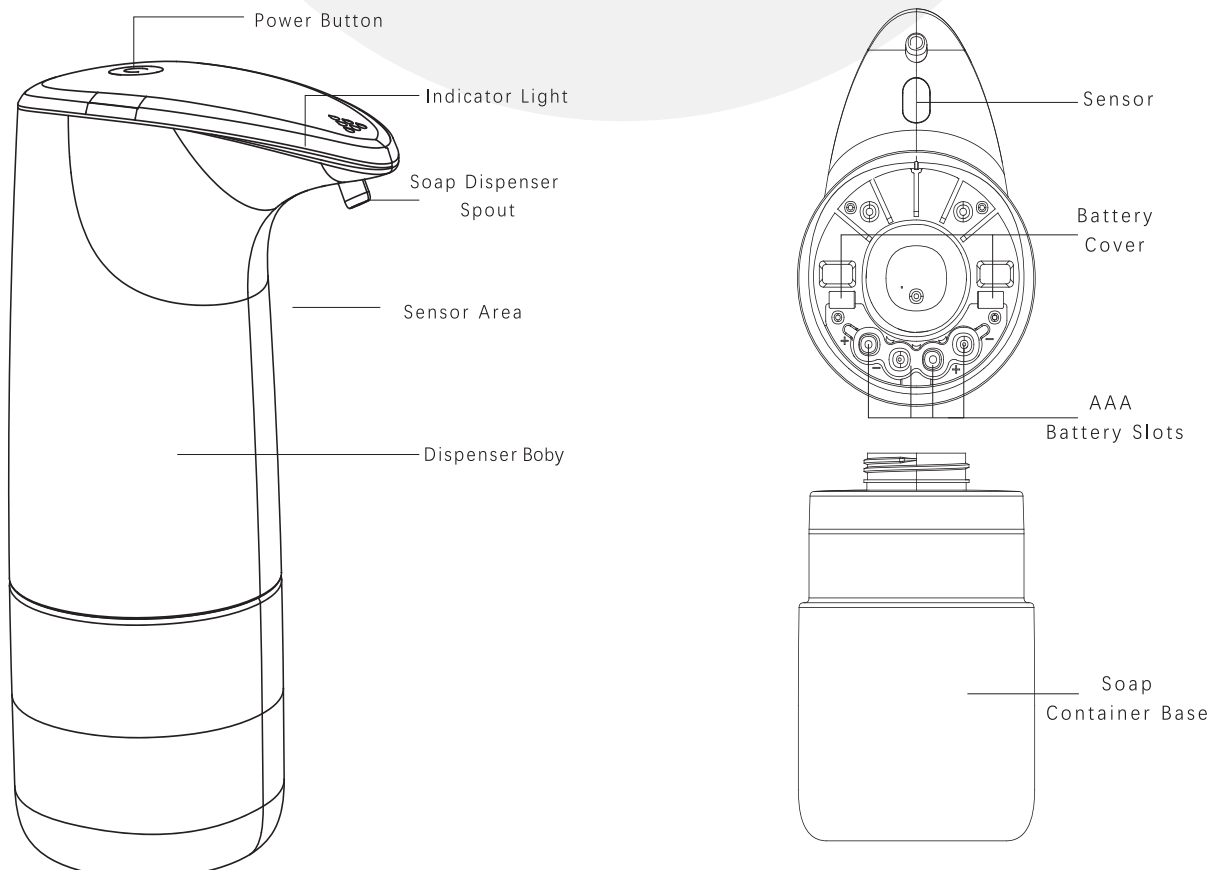
Specifications:

- Battery type: 4 x AA (Not included)
- Capacity: 450ml

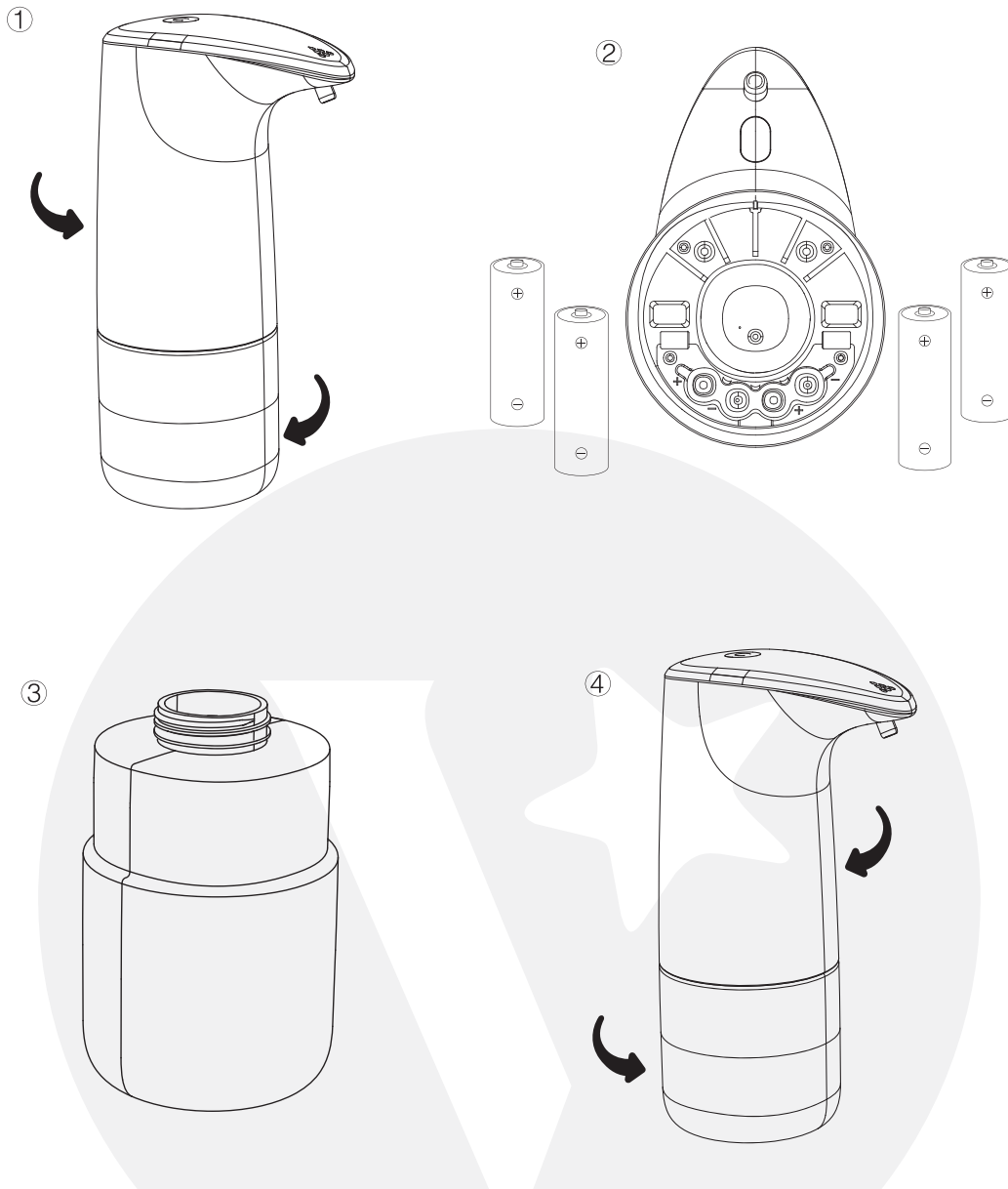
Package Contents:

- Infrared sensor automatic soap dispenser
- Measuring cup

UNDERSTANDING THE PRODUCT



START USING SOAP DISPENSER

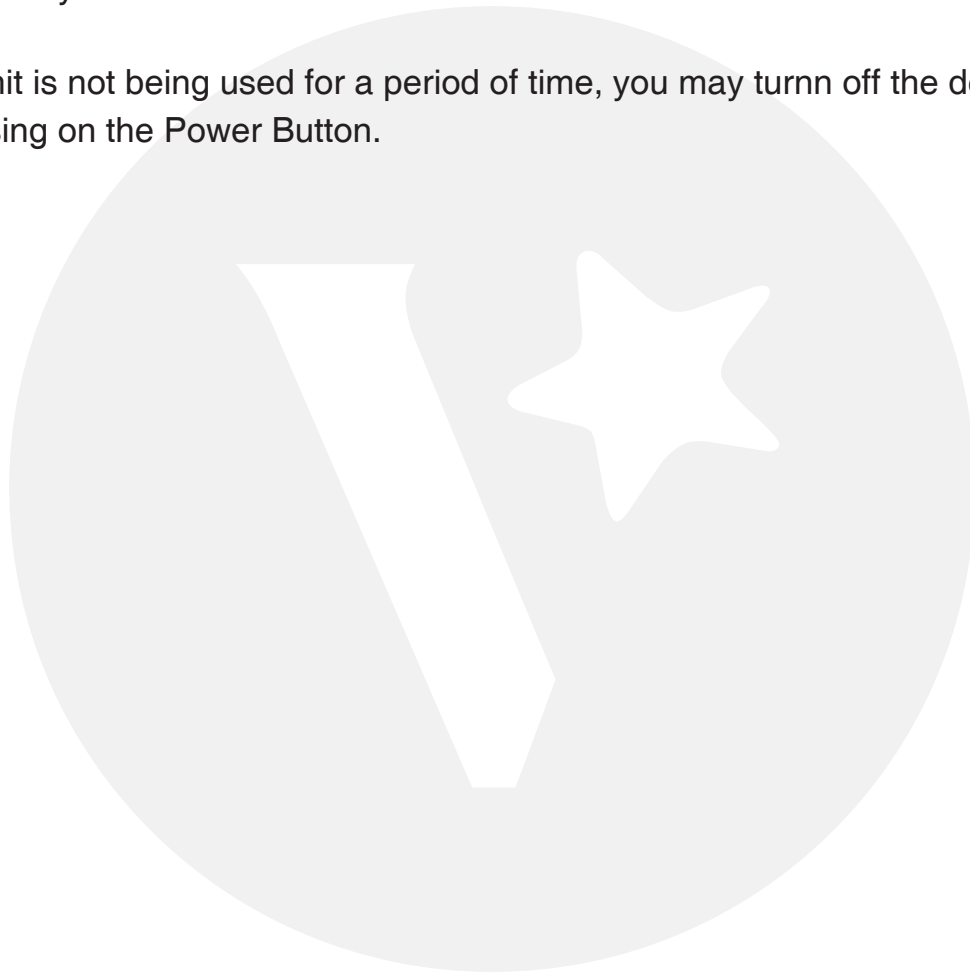


1. Screw the dispenser body counter clockwise while screwing the soap container clockwise to open the battery compartment.
2. Install 4 x AAA batteries into the Top Spout Section according to the + and - voltage indicators inscribed on the battery insert areas.
3. Fill the Soap Container Base with water and foaming hand soap, with a ratio of soap-to-water of 1:6.
4. Realign the Top Spout Section with the Soap Container Base, and retighten via turning the Top Spout Section clockwise and the Soap Container Base counter clockwise.

HOW TO USE

1. Press the Power Button to turn on device.
2. Rinse hands with water.
3. Place hands under the Soap Dispenser Spout to activate the Motion Sensor to dispense soap foam.
4. Rub and was hands for at least 20 seconds.
5. Rinse off and dry hands.

Note: When unit is not being used for a period of time, you may turnn off the device by pressing on the Power Button.



TECHNICAL SUPPORT & WARRANTY

- For Technical Support, email us at v.info@valore.sg.
- For Warranty Registration, visit www.valore.sg.

Cautions:

Read all the instructions and warnings carefully prior to using this product.

- Do not store the product in a high temperature environment.
- Do not place the product near a fire or other excessively hot environments.
- Do not expose the product to moisture or submerge it in liquid. Keep product dry at all times.
- Do not attempt to charge the product using any other method or connection other than the product's provided charging cable.
- Do not disassemble this product or attempt to repair or modify it in any manner.
- Battery usage by children should be supervised
- Be cautious of excessive drops, bumps, abrasions or other impacts to this product. If there is any damage to the product such as dents, punctures, tears, deformities or corrosion, stop using the product and contact us immediately via email at v.info@valore.sg, or return this product to the store where you have purchased it from.
- If the product produces an abnormal smell, high temperature (low temperature during normal use), discolours or changes shape abnormally, stop using the product and contact us immediately via email at v.info@valore.sg.

DISCLAIMER & TRADEMARKS

All information, trademarks, logos, graphics, and images ("Materials") provided on this user manual are copyrighted or trademarked and are the property of Valore Lifestyle Pte Ltd. Any unauthorized use of any material contained on the instruction manual may violate copyright laws, trademark laws, laws of privacy and communications statutes. The trademarks, service marks and logos used and displayed in the Materials are registered and unregistered trademarks and service marks of Valore and others. All other registered and unregistered company names, product names and marks mentioned herein the ("Materials") are the property of their respective owners and may be trademarks or registered trademarks.