

Valore Splittable Design Double LED Table Lamp (LTL08)

VALORE

Thank you for purchasing the Valore Splittable Design Double LED Table Lamp (LTL08).

Thoughtfully designed while maintaining a fashionable edge, the double lamp-head adjustment also lets you enjoy a wide spectrum of light using touch-sensitive controls.

Important: Please read the user manual thoroughly before using your table lamp.

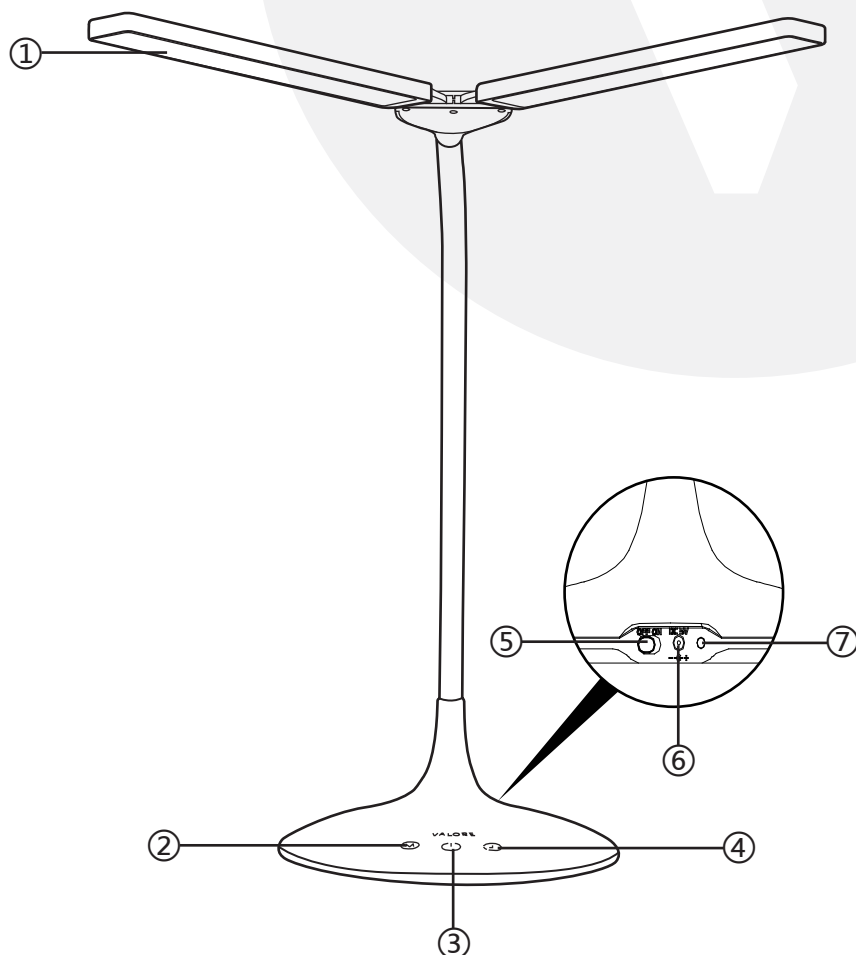
Specifications:

- Power input: DC5V/2A (max)
- Light type: 2835 LED chip
- Battery type: Built-in 2200mAh rechargeable Lithium-ion
- Colour temperature: 2700K – 6500K
- Illumination: $\geq 280\text{lm}$
- Material: ABS + PP + Silicone rubber
- Dimensions (L x W x H): 170 x 170 x 370mm
- Weight: 604g

Package Contents:

- Splittable design double LED table lamp
- USB charging cable

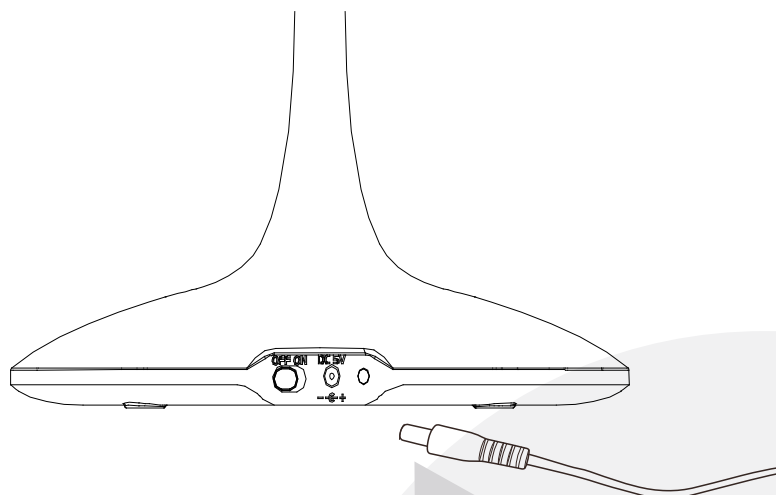
UNDERSTANDING THE PRODUCT



- ① LED light
- ② Light mode
- ③ On/Off touch switch
- ④ Light timer
- ⑤ Main On/Off switch
- ⑥ DC charging port
- ⑦ Charging indicator

START USING THE TOUCH LED TABLE LAMP

Connect the USB charging cable into the DC port on the rear of the lamp to power or charge. Charging indicator will turn green from red when fully charged.

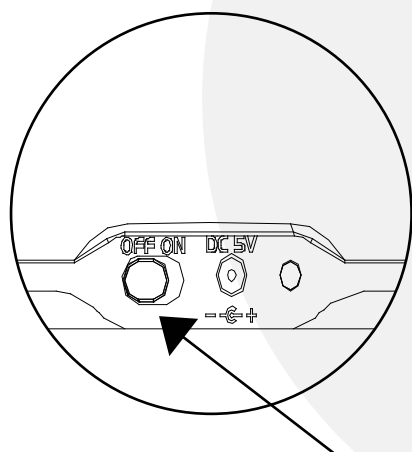


Warning

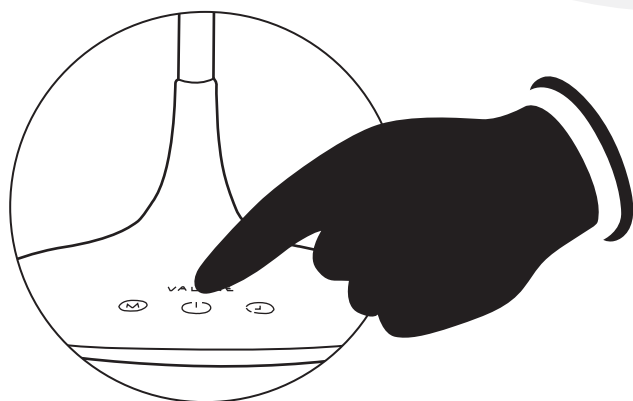


- The included USB charging cable for this product-specific and can not be used for other appliances

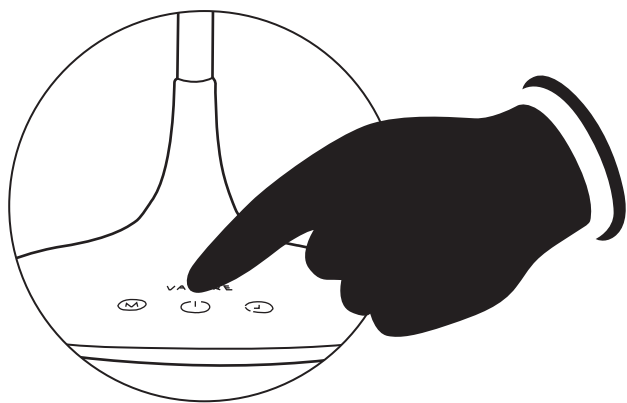
Switch on the LED table lamp by pushing the Main On/Off switch located at the rear.



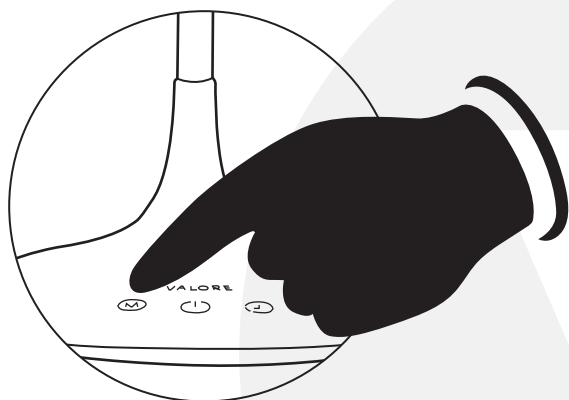
Short touch the On/Off touch switch to light up the LED.



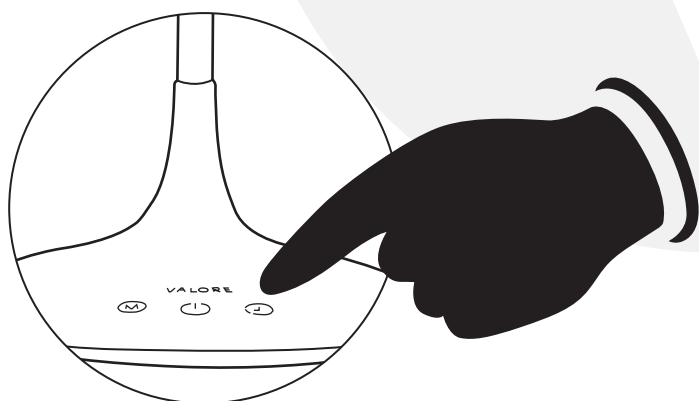
When the table lamp is switch on, long touch the On/Off touch switch for dim or brighter lighting.



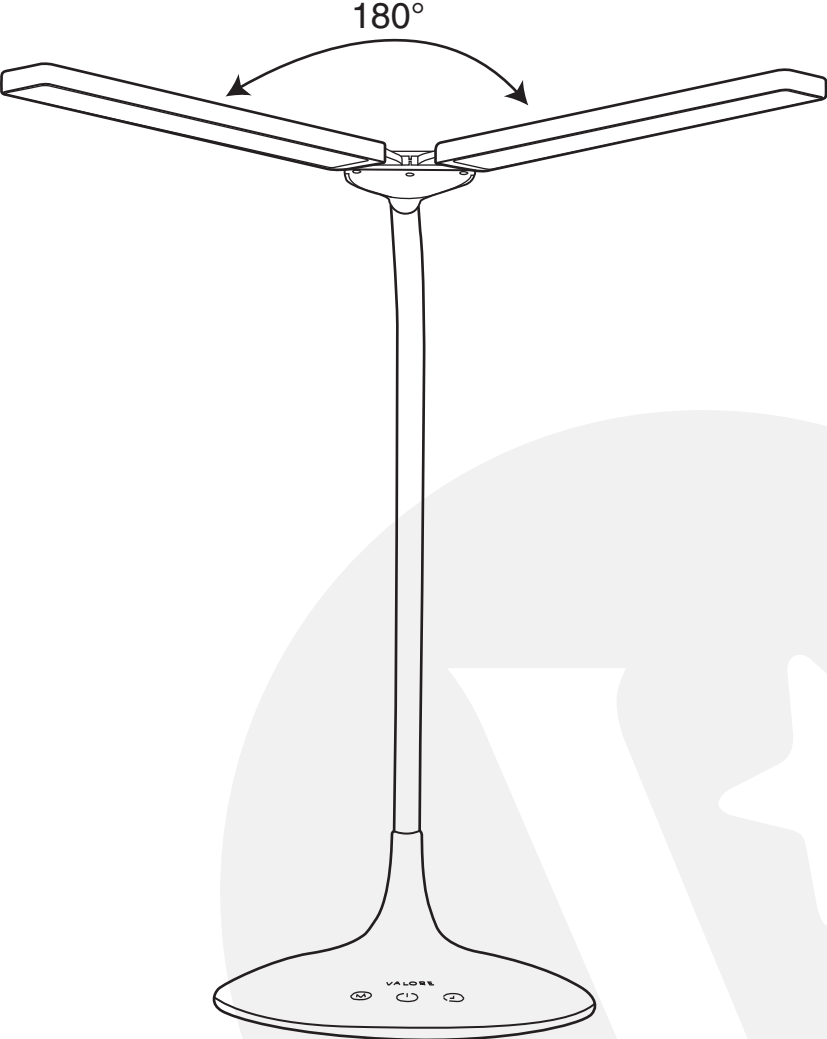
When the table lamp is switch on, short touch the 'M' light mode to switch between day, warm and cool light.



Long touch the light timer, it will flash twice to show that the count down of 40 minutes is activated. Light to switch off automatically after 40 minutes.



When adjusting the lamp's arm and head, please hold onto the base.
(Excessive adjustment may cause damage)



TECHNICAL SUPPORT & WARRANTY

- For Technical Support, email us at v.info@valore.sg.
- For Warranty Registration, visit www.valore.sg.

Cautions:

Read all the instructions and warnings carefully prior to using this product.

- Do not store the table lamp in a high temperature environment.
- Do not place the table lamp near a fire or other excessively hot environments.
- Do not expose its table lamp to moisture or submerge it in liquid. Keep table lamp dry at all times.
- Do not attempt to charge the table lamp using any other method or connection other than the table lamp's provided charging cable.
- Do not disassemble this table lamp or attempt to repair or modify it in any manner.
- Be cautious of excessive drops, bumps, abrasions or other impacts to this table lamp. If there is any damage to the table lamp such as dents, punctures, tears, deformities or corrosion, stop using the table lamp and contact us immediately via email at v.info@valore.sg, or return this product to the store where you have purchased it from.
- If the product produces an abnormal smell, high temperature (low temperature during normal use), discolours or changes shape abnormally, stop using the product and contact us immediately via email at v.info@valore.sg.

DISCLAIMER & TRADEMARKS

All information, trademarks, logos, graphics, and images ("Materials") provided on this user manual are copyrighted or trademarked and are the property of Valore Lifestyle Pte Ltd. Any unauthorized use of any material contained on the instruction manual may violate copyright laws, trademark laws, laws of privacy and communications statutes.

The trademarks, service marks and logos used and displayed in the Materials are registered and unregistered trademarks and service marks of Valore and others. All other registered and unregistered company names, product names and marks mentioned herein the ("Materials") are the property of their respective owners and may be trademarks or registered trademarks.