

Thank you for purchasing the Valore Touch LED Table Lamp (LTL12).

Sleek and space-saving design, this Valore LED table lamp is ideal for hectic work desks. Slide your finger left and right along the touch strip to adjust the intensity gradually, or touch anywhere on the strip to jump directly to any brightness.

Important: Please read the user manual thoroughly before using your table lamp.

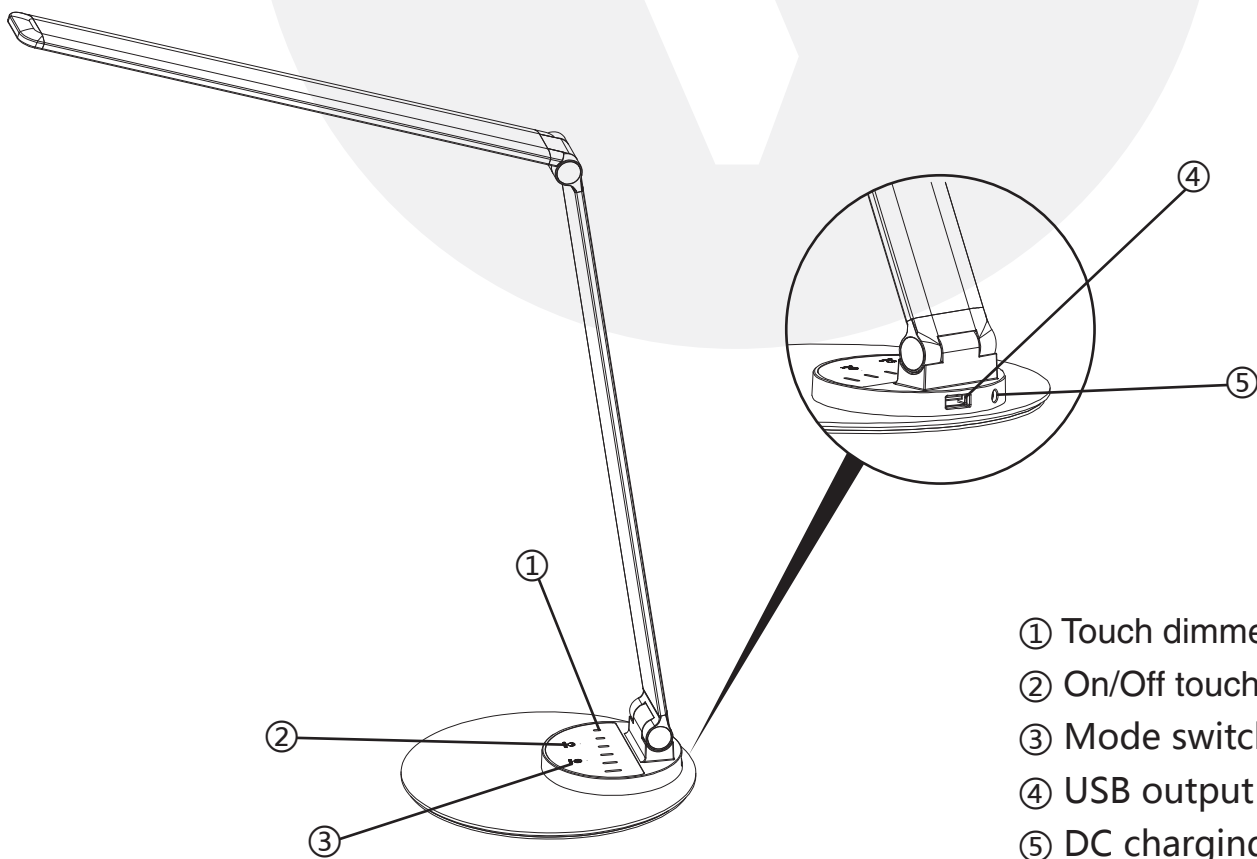
Specifications:

- Voltage: AC100-240V
- Power input: DC12V/1.5A (max)
- Light type: 2835 LED chip
- USB output: 5V/1A
- Colour temperature: 2800K (Tungsten) - 5700K (Daylight)
- Illumination: 1800lm
- Material: Aluminum + ABS + PC
- Dimensions (L x W x H): 412 x 190 x 452mm
- Weight: 988g

Package Contents:

- Touch LED table lamp
- Adaptor

UNDERSTANDING THE PRODUCT



- ① Touch dimmer
- ② On/Off touch switch
- ③ Mode switch
- ④ USB output
- ⑤ DC charging port

START USING THE LED TABLE LAMP

Connect the adaptor into the DC charging port on the rear of the lamp to power.

Warning

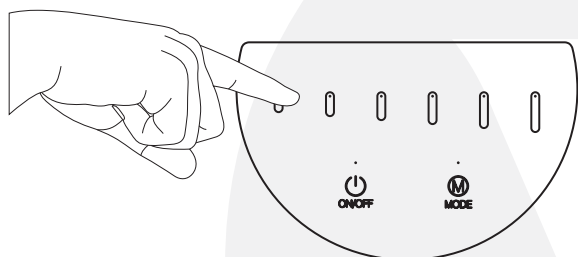


- The included adaptor for this product-specific and can not be used for other appliances

Touch the On/Off touch switch to on the lamp, the brightness will remain the same as the previous time used.

Brightness adjustment

Slide your finger through the touch dimmer. With six steps dimming brightness.



Lighting mode

Touch the mode switch to adjust the colour temperature and there are three modes as follows:

1. Cool light
2. Natural light
3. Warm light

TECHNICAL SUPPORT & WARRANTY

- For Technical Support, email us at v.info@valore.sg.
- For Warranty Registration, visit www.valore.sg.

Cautions:

Read all the instructions and warnings carefully prior to using this product.

- Do not store the table lamp in a high temperature environment.
- Do not place the table lamp near a fire or other excessively hot environments.
- Do not expose its table lamp to moisture or submerge it in liquid. Keep table lamp dry at all times.
- Do not attempt to charge the table lamp using any other method or connection other than the table lamp's provided charging cable.
- Do not disassemble this table lamp or attempt to repair or modify it in any manner.
- Be cautious of excessive drops, bumps, abrasions or other impacts to this table lamp. If there is any damage to the table lamp such as dents, punctures, tears, deformities or corrosion, stop using the table lamp and contact us immediately via email at v.info@valore.sg, or return this product to the store where you have purchased it from.
- If the product produces an abnormal smell, high temperature (low temperature during normal use), discolours or changes shape abnormally, stop using the product and contact us immediately via email at v.info@valore.sg.

DISCLAIMER & TRADEMARKS

All information, trademarks, logos, graphics, and images ("Materials") provided on this user manual are copyrighted or trademarked and are the property of Valore Lifestyle Pte Ltd. Any unauthorized use of any material contained on the instruction manual may violate copyright laws, trademark laws, laws of privacy and communications statutes.

The trademarks, service marks and logos used and displayed in the Materials are registered and unregistered trademarks and service marks of Valore and others. All other registered and unregistered company names, product names and marks mentioned herein the ("Materials") are the property of their respective owners and may be trademarks or registered trademarks.



Inspired by Valore Singapore

For full range of Valore products visit www.valore.sg