

Valore Adjustable LED Spotlight Table Lamp (LTL14)

VALORE

Thank you for purchasing the Valore Adjustable LED Spotlight Table Lamp (LTL14).

Make a statement and add a touch of character while lighting up your work desk or bedside table. The touch-sensitive dimmer control allows you to easily control brightness intensity. Plus, dual USB port accessibility lets you charge two devices simultaneously.

Important: Please read the user manual thoroughly before using your table lamp.

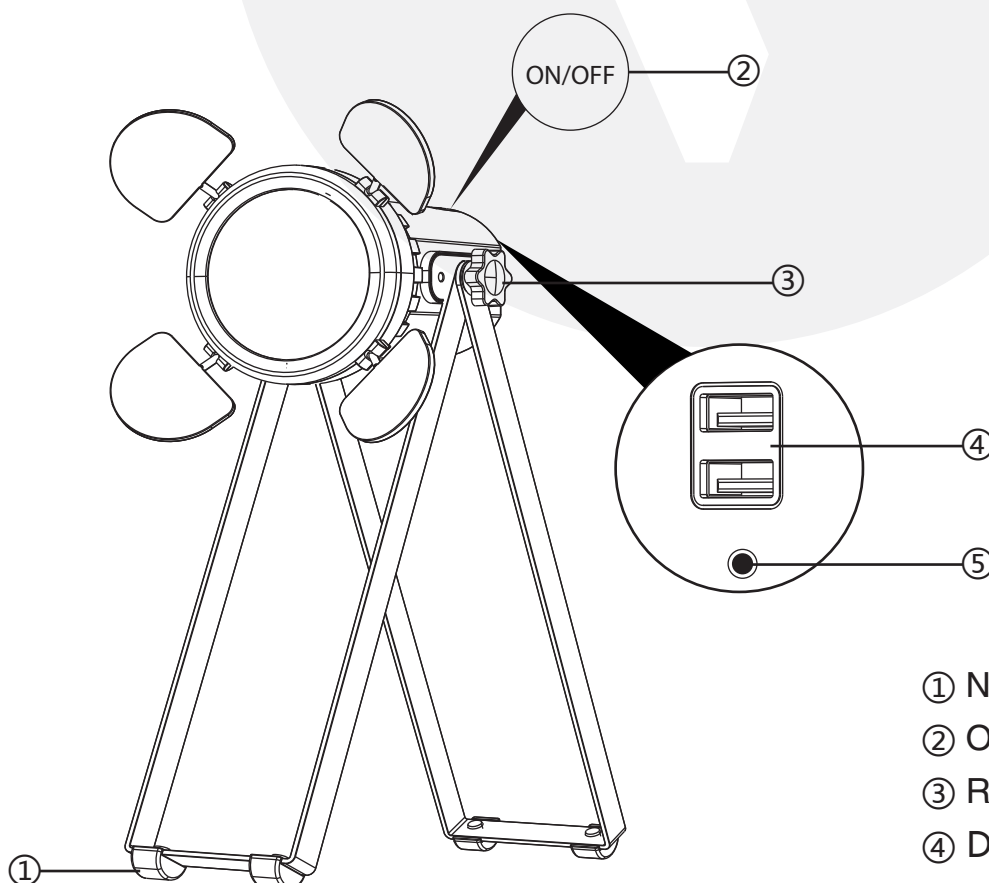
Specifications:

- Power input: DC5V/2.1A (max)
- USB output 1: DC5V/1A (max)
- USB output 2: DC5V/1A (max)
- Light type: Epistar 33 x 33mil chip
- Colour temperature: 3500K (Tungsten)
- Illumination: 1100lm
- Material: PC + Metal
- Dimensions (L x W x H): 305 x 100 x 105mm
- Weight: 503g

Package Contents:

- Adjustable LED Spotlight Table Lamp
- USB charging cable

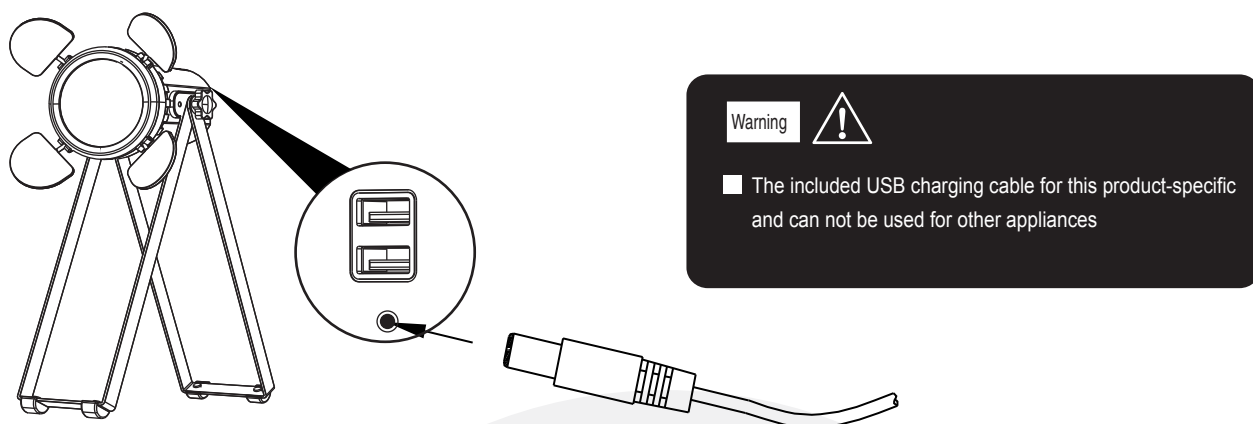
UNDERSTANDING THE PRODUCT



- ① Non-slip stud
- ② On/Off/dimming touch switch
- ③ Rotatory knob
- ④ Dual USB port
- ⑤ DC power port

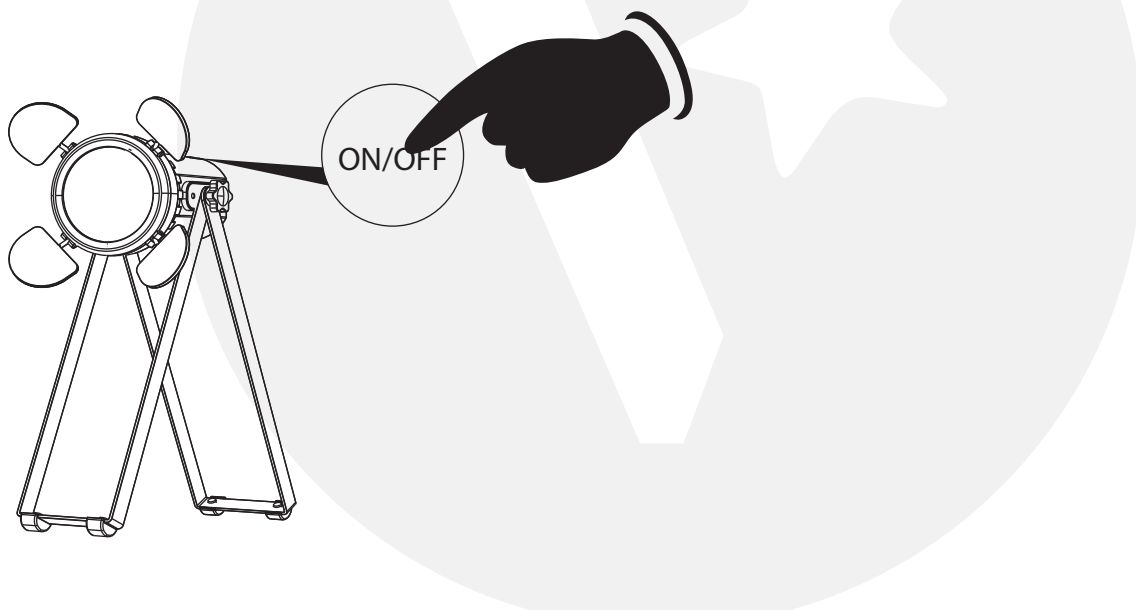
START USING THE LED TABLE LAMP

Connect the USB charging cable into the DC port on the rear of the lamp to power.

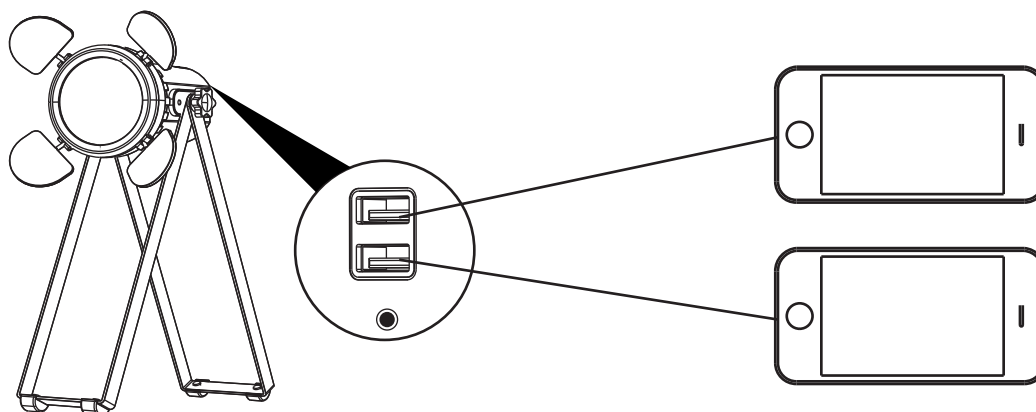


Touch the On/Off/dimming touch switch to on.

Short touch the On/Off/dimming touch switch to switch the light intensity levels. After 3 switch, it will turn off.



Charge up to 2 devices with the dual port located at the back of the table lamp.



TECHNICAL SUPPORT & WARRANTY

- For Technical Support, email us at v.info@valore.sg.
- For Warranty Registration, visit www.valore.sg.

Cautions:

Read all the instructions and warnings carefully prior to using this product.

- Do not store the table lamp in a high temperature environment.
- Do not place the table lamp near a fire or other excessively hot environments.
- Do not expose its table lamp to moisture or submerge it in liquid. Keep table lamp dry at all times.
- Do not attempt to charge the table lamp using any other method or connection other than the table lamp's provided charging cable.
- Do not disassemble this table lamp or attempt to repair or modify it in any manner.
- Be cautious of excessive drops, bumps, abrasions or other impacts to this table lamp. If there is any damage to the table lamp such as dents, punctures, tears, deformities or corrosion, stop using the table lamp and contact us immediately via email at v.info@valore.sg, or return this product to the store where you have purchased it from.
- If the product produces an abnormal smell, high temperature (low temperature during normal use), discolours or changes shape abnormally, stop using the product and contact us immediately via email at v.info@valore.sg.

DISCLAIMER & TRADEMARKS

All information, trademarks, logos, graphics, and images ("Materials") provided on this user manual are copyrighted or trademarked and are the property of Valore Lifestyle Pte Ltd. Any unauthorized use of any material contained on the instruction manual may violate copyright laws, trademark laws, laws of privacy and communications statutes.

The trademarks, service marks and logos used and displayed in the Materials are registered and unregistered trademarks and service marks of Valore and others. All other registered and unregistered company names, product names and marks mentioned herein the ("Materials") are the property of their respective owners and may be trademarks or registered trademarks.



Inspired by Valore Singapore

For full range of Valore products visit www.valore.sg