

Thank you for purchasing the Valore Touch LED Lamp (LTL18).

Important: Please read the user manual thoroughly before using your table lamp.

Features:

- Space-saving and foldable design
- 3-intensity level
- 3 lighting modes (Warm light, Cool light, Daylight)
- Touch-sensitive control

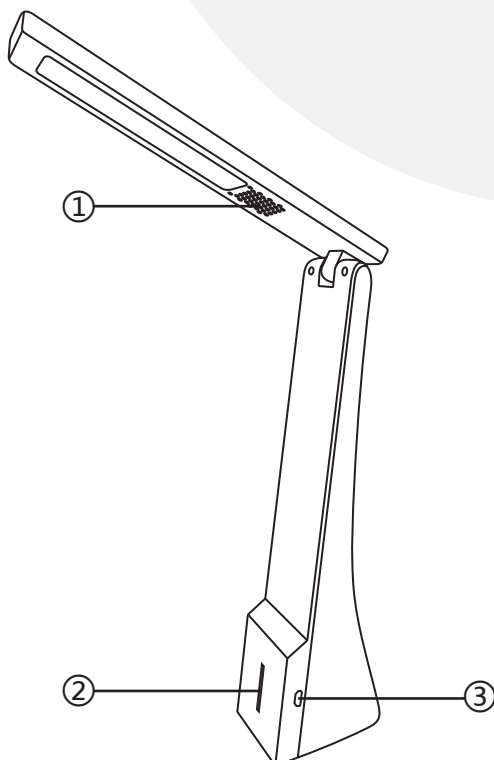
Specifications:

- Power input: DC5V/1A (max)
- Light type: 2835 LED chip
- Battery type: 2200mAh Lithium-ion rechargeable battery
- Colour temperature: 2800K (Warm light) – 5700K (Daylight)
- Illumination: 550lm
- Material: ABS + PC + Aluminium
- Dimensions (L x W x H): 70 x 50 x 250mm
- Weight: 401g

Package Contents:

- Touch LED Table Lamp x 1
- USB charging cable (800mm) x 1

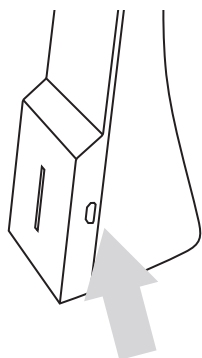
UNDERSTANDING THE PRODUCT



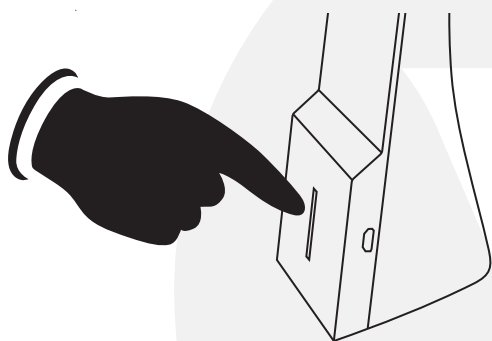
- ① Heat emission hole
- ② Touch On/Off switch / Adjust intensity
- ③ Charging input (DC5V/1A)(Max)

START USING THE TOUCH LED TABLE LAMP

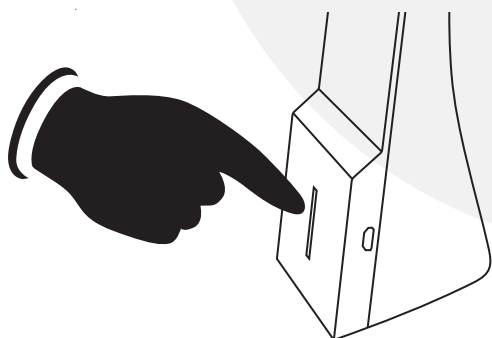
Connect the charging cable to a power adaptor, then into the charging port on the side of the lamp.



Touch the On/Off/Adjust touch switch to switch on the LED table lamp. Short touch the On/Off/Adjust touch switch to adjust light intensity.



Long touch the On/Off/Adjust touch to switch between 3 lighting modes, Warm light, Cool light and Daylight. Short touch to switch off.



TECHNICAL SUPPORT & WARRANTY

- For Technical Support, email us at v.info@valore.sg.
- For Warranty Registration, visit www.valore.sg.

Cautions:

Read all the instructions and warnings carefully prior to using this product.

- Do not store the table lamp in a high temperature environment.
- Do not place the table lamp near a fire or other excessively hot environments.
- Do not expose its table lamp to moisture or submerge it in liquid. Keep table lamp dry at all times.
- Do not attempt to charge the table lamp using any other method or connection other than the table lamp's provided charging cable.
- Do not disassemble this table lamp or attempt to repair or modify it in any manner.
- Be cautious of excessive drops, bumps, abrasions or other impacts to this table lamp. If there is any damage to the table lamp such as dents, punctures, tears, deformities or corrosion, stop using the table lamp and contact us immediately via email at v.info@valore.sg, or return this product to the store where you have purchased it from.
- If the product produces an abnormal smell, high temperature (low temperature during normal use), discolours or changes shape abnormally, stop using the product and contact us immediately via email at v.info@valore.sg.

DISCLAIMER & TRADEMARKS

All information, trademarks, logos, graphics, and images ("Materials") provided on this user manual are copyrighted or trademarked and are the property of Valore Lifestyle Pte Ltd. Any unauthorized use of any material contained on the instruction manual may violate copyright laws, trademark laws, laws of privacy and communications statutes.

The trademarks, service marks and logos used and displayed in the Materials are registered and unregistered trademarks and service marks of Valore and others. All other registered and unregistered company names, product names and marks mentioned herein the ("Materials") are the property of their respective owners and may be trademarks or registered trademarks.



Inspired by Valore Singapore

For full range of Valore products visit www.valore.sg