

Valore LED Table Lamp With Wireless Charging Function (LTL24)

VALORE

Thank you for purchasing the Valore LED Table Lamp With Wireless Charging Function (LTL24).

Important: Please read the user manual thoroughly before using your table lamp.

Features:

- Up to 5W wireless charging output
- Multiple adjustable angles
- 3 light intensities

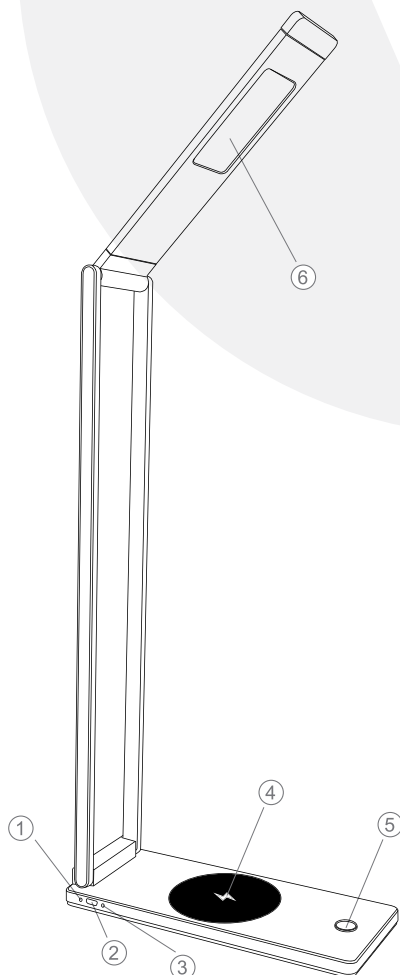
Specifications:

- Wireless charging output: DC5V/1A (max)
- Power input: DC5V/2.0A (max)
- Light type: 4041 LED chip
- Colour temperature: 6500K (Daylight)
- Illumination: 97lm (max)
- Material: Aluminium alloy
- Dimensions (L x W x H): 352 x 700 x 180mm

Package Contents:

- LED table lamp with wireless charging function
- Charging cable (1M)

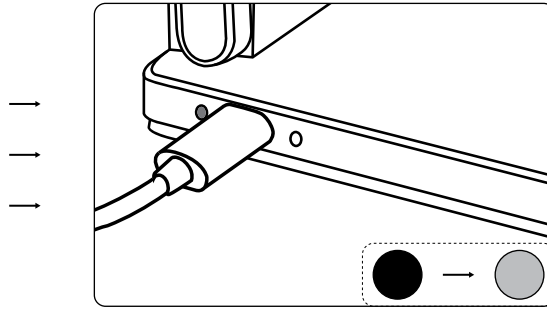
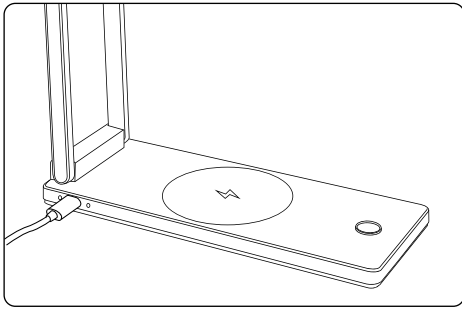
UNDERSTANDING THE PRODUCT



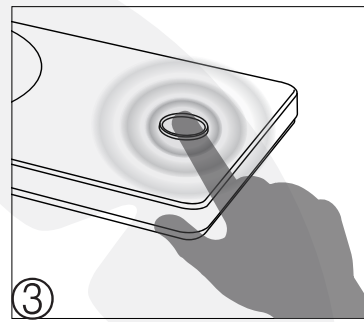
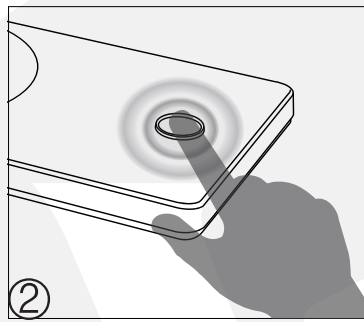
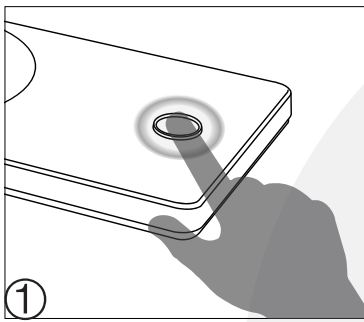
- ① Power indicator
- ② Power interface
- ③ Wireless charging indicator
- ④ Wireless charging surface
- ⑤ Power On/Off
- ⑥ Light panel

START USING THE TOUCH LED TABLE LAMP

Connect power, the power indicator will be continuously red.



Touch control



Press
the forth
time to
turn off
the lamp.
④

↑
Press power switch
one time to turn on
the lamp. The light
will be on 30% brightness

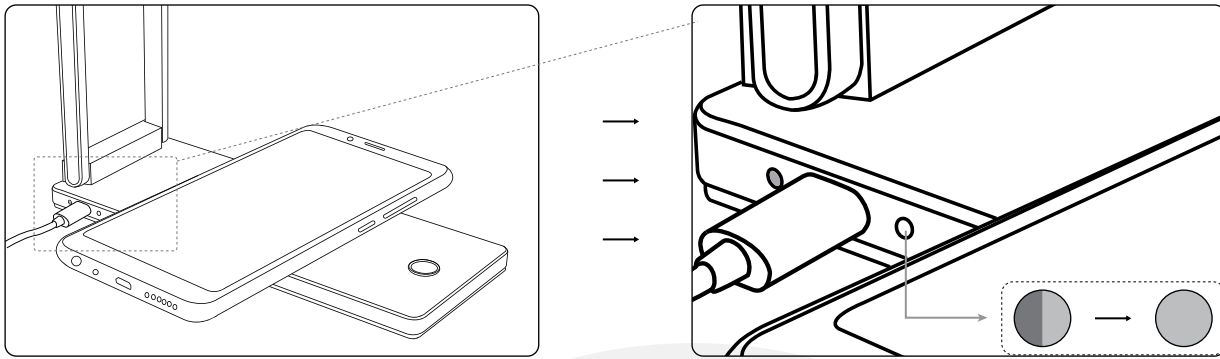
Press the
sencnd time,
the light will change
to be on 60%

Press the
third time,
the light will be
100% brightness.

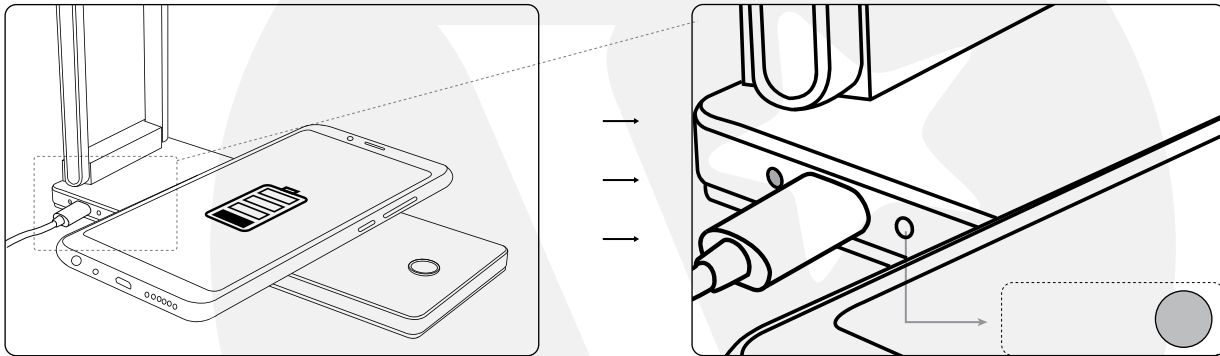
* note:

1. Please make sure the power output is 5V/2.0A or current is 2A
2. When FOD detect foreign body on wireless charging surface, the wireless charging indicator will be red and green flicker alternately

- When wireless charger identify phone and start to charge, the indicator will be in red and green flicker alternately for several time and then keep red



- When the phone is charged by wireless charger, the indicator will keep red.



TECHNICAL SUPPORT & WARRANTY

- For Technical Support, email us at v.info@valore.sg.
- For Warranty Registration, visit www.valore.sg.

Cautions:

Read all the instructions and warnings carefully prior to using this product.

- Do not store the table lamp in a high temperature environment.
- Do not place the table lamp near a fire or other excessively hot environments.
- Do not expose its table lamp to moisture or submerge it in liquid. Keep table lamp dry at all times.
- Do not attempt to charge the table lamp using any other method or connection other than the table lamp's provided charging cable.
- Do not disassemble this table lamp or attempt to repair or modify it in any manner.
- Be cautious of excessive drops, bumps, abrasions or other impacts to this table lamp. If there is any damage to the table lamp such as dents, punctures, tears, deformities or corrosion, stop using the table lamp and contact us immediately via email at v.info@valore.sg, or return this product to the store where you have purchased it from.
- If the product produces an abnormal smell, high temperature (low temperature during normal use), discolours or changes shape abnormally, stop using the product and contact us immediately via email at v.info@valore.sg.

DISCLAIMER & TRADEMARKS

All information, trademarks, logos, graphics, and images ("Materials") provided on this user manual are copyrighted or trademarked and are the property of Valore Lifestyle Pte Ltd. Any unauthorized use of any material contained on the instruction manual may violate copyright laws, trademark laws, laws of privacy and communications statutes.

The trademarks, service marks and logos used and displayed in the Materials are registered and unregistered trademarks and service marks of Valore and others. All other registered and unregistered company names, product names and marks mentioned herein the ("Materials") are the property of their respective owners and may be trademarks or registered trademarks.

Complies with
IMDA Standards
DA102803



Inspired by Valore Singapore

For full range of Valore products visit www.valore.sg