

Thank you for purchasing the Valore Wireless Earpiece.

Combining high quality audio, multiple features with sleek design for the ultimate performance earpiece. Answer and end call with style by sliding in and out of the in-built microphone. On-board selfie shuttle button allows you to snap a photo wherever you go, whenever you need.

**Important:** Please read the user manual thoroughly before using your Bluetooth earpiece.

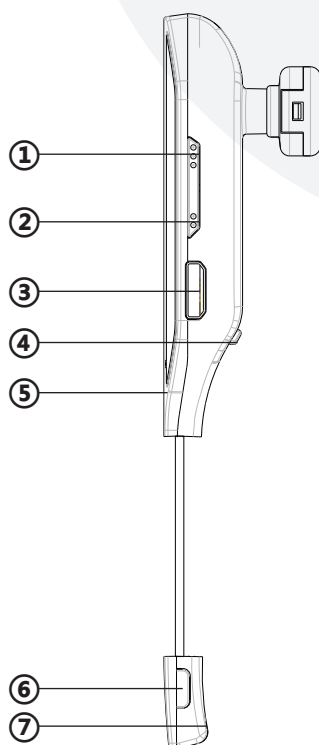
## Specifications:

- Wireless range: Up to 10m
- Battery type: Polymer lithium-ion 3.7V 60mAh
- Charging time: 2 hours
- Talking time: 5 hours
- Standby time: 135 hours
- Support: A2DP
- Material: ABS + PC
- Dimensions (L x W x H): 67 x 14 x 25mm
- Weight (Earpiece): 10g

## Package contents:

- Wireless earpiece
- USB charging cable
- Stereo earpiece

## UNDERSTANDING THE PRODUCT



- ① Volume ' + ' button
- ② Volume ' - ' button
- ③ Micro USB charging port
- ④ On/Off button
- ⑤ LED indicator
- ⑥ Multi-functional button
- ⑦ Microphone

# START USING THE WIRELESS EARPIECE

## 1) Charging the earpiece (1.0A USB adapter to wall plug)

Make sure that the wireless earpiece is turned off before charging. Plug the micro USB cable into the charging port located at the side of the wireless earpiece and connect it to a USB adapter (1.0A) to a wall plug. To fully charge the earpiece, it will require at least 2 hours.

The red LED light will switch on when charging, then turn off when the battery is fully charged.

Note: Please charge the earpiece for at least 8 hours before first use.

Please charge with a 5V/1.0A output wall plug to prevent the earpiece from being damaged.

## 2) Turning ON the earpiece

Turn the On/Off button to On. Once turned on, there will be a voice prompt playing, "Power On".

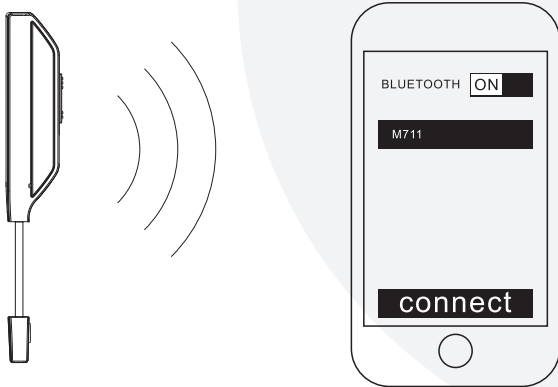
## 3) Pairing the wireless earpiece (switched off)

Step 1: Press and hold the 'Multi-functional' button of the earpiece until the LED light flashes Blue & Red alternately (about 5 seconds).

Step 2: Activate Bluetooth function on your mobile phone to begin pairing with earpiece.

Step 3: Connect to the earpiece by selecting 'Valore M711' under the device list.

Step 4: Once connected, there will be a voice prompt playing, "Connected".



Note: If the pairing is not successful, please turn off wireless earpiece first, and then re-pair again. After pairing is successful, paired devices will remember each other. Unless pairing information is deleted because of new pairing, no need to pair when using the next time.

## 4) Re-pairing the wireless earpiece

Each time the wireless earpiece is turned on, it will attempt to connect to the last device it was paired with automatically (mobile phone with Bluetooth function turned on).

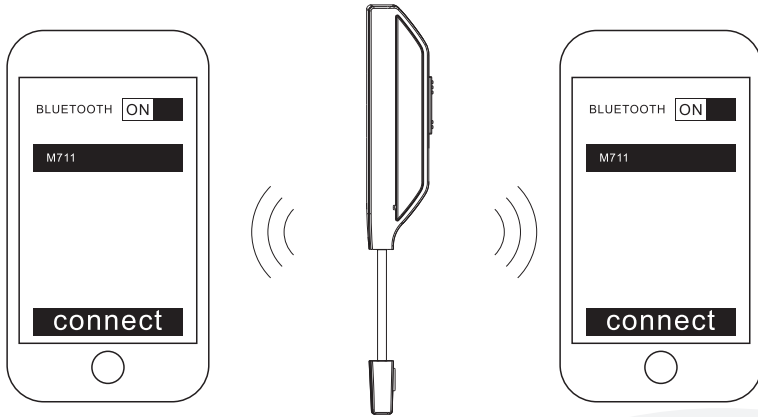
The wireless earpiece will do as follows:

1. Connect to last connected devices automatically;
2. Be listed in the screen of devices as an output channel. Select 'Valore M711' to connect.

Note: In some cases, the earpiece may need to be manually selected from your operating system sound or hardware output list.

## 5) Pairing the wireless earpiece with a second mobile phone

Repeat the steps shown in “Pairing the wireless earpiece” section to pair and connect with the second mobile phone.

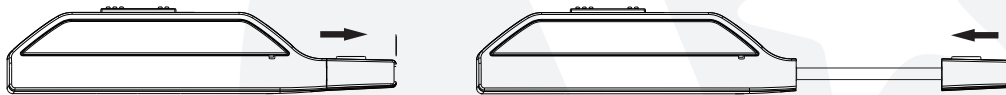


Once connected, go into the Bluetooth function of the first mobile phone and manually select ‘Valore M711’ to connect to the wireless earpiece.

## 6) Wireless earpiece controls

### a) Answering an incoming call

- Pull the microphone out to pick up.
- Push the microphone back to end a call.



### b) Rejecting an incoming call

- Press and hold the ‘Multi-functional’ button for about 2 seconds to reject the call.

### c) Answering a second call (2 mobile phones connected)

- Press the ‘Multi-functional’ button twice to pick up the new incoming call and the first call would be put on hold.
- Press again to end the call and resume the previous call.

### d) Rejecting the second call (2 mobile phones connected)

- Press and hold the ‘Multi-functional’ button for about 2 seconds to reject the second call.

### f) Volume and track controls

#### i) Volume

- Control the volume via the Bluetooth device itself;
- Control the volume by press the Volume +/- buttons

#### ii) Play and Pause music

- Press Play/Pause button to pause the music
- Press again to resume playback

#### iii) Next and Previous track

- Press and hold volume “+” button to go to next track
- Press and hold volume “-” button to go to previous track

## **7) Taking photo**

Switch on the Camera APP of your mobile phone and double press the volume '-' button to take a picture.

(Compatible with iOS 4.0 and Android 4.0 or above system. For smart phones cannot work with this device, please set the volume button as shutter button or simply download the app"Camera 360"from Google Play. )

## **8) Turning OFF the earpiece**

Turn the On/Off button to off and the LED indicator at will flash Red once. There will be a voice prompt playing, "Power off" before shutting down.

# **TROUBLESHOOTING**

## **Issue 1: Earpiece is unable to connect successfully to your mobile device**

Problem 1: Earpiece's battery is flat

Solution: Fully charge the earpiece (2 hours) and retry connection with your mobile phone.

Problem 2: Earpiece not paired to your mobile phone

Solution: Make sure that the earpiece is successfully paired upon selecting 'Valore M711' in the device list.

Problem 3: Earpiece and mobile phone too far apart

Solution: Make sure that the earpiece is within a metre range during pairing and connection.

Problem 4: Earpiece is already connected to two mobile phones

Solution: Make sure that the earpiece has already been disconnected from one or both mobile phones before making a new connection with a new phone.

## **Issue 2: Sound from the earpiece is too soft or silent**

Problem 1: Earpiece's battery is low / flat

Solution: Fully charge the earpiece (2 hours) and retry connection with your mobile phone.

Problem 2: Earpiece or mobile phone's volume is too low

Solution: Turn the volume of the earpiece or mobile phone up to increase the volume.

Problem 3: Music track may not be audible

Solution: Make sure that the music track is of a playable format for the mobile phone.

Problem 4: Earpiece and mobile phone might not be connected properly.

Solution: Repeat the connection step via Bluetooth again to make sure that it is connected properly and try again.

**Issue 3: The user manual instructions does not work**

Solution: Contact the manufacturer or the staff at the store of purchase for assistance.

**Issue 4: Unable to hear from both side of the answered call via the earpiece**

Problem 1: Earpiece not paired properly

Solution: Make sure the earpiece is properly paired.

Problem 2: Earpiece volume may be too low

Solution: Turn up the volume of the earpiece and phone.

Problem 3: Microphone may be obstructed

Solution: Make sure the microphone is not being obstructed by other objects.



## TECHNICAL SUPPORT & WARRANTY

- For Technical Support, email us at [v.info@valore.sg](mailto:v.info@valore.sg).
- For Warranty Registration, visit [www.valore.sg](http://www.valore.sg).

### Cautions:

Read all the instructions and warnings carefully prior to using this product.

- Do not store the earpiece in a high temperature environment.
- Do not place the earpiece near a fire or other excessively hot environments.
- Do not expose the earpiece to moisture or submerge it in liquid. Keep earpiece dry at all times.
- Do not attempt to charge the earpiece using any other method or connection other than the earpiece's provided charging cable.
- Do not disassemble this earpiece or attempt to repair or modify it in any manner.
- Be cautious of excessive drops, bumps, abrasions or other impacts to this earpiece. If there is any damage to the earpiece such as dents, punctures, tears, deformities or corrosion, stop using the earpiece and contact us immediately via email at [v.info@valore.sg](mailto:v.info@valore.sg), or return this product to the store where you have purchased it from.
- If the product produces an abnormal smell, high temperature (low temperature during normal use), discolours or changes shape abnormally, stop using the product and contact us immediately via email at [v.info@valore.sg](mailto:v.info@valore.sg).

### DISCLAIMER & TRADEMARKS

All information, trademarks, logos, graphics, and images ("Materials") provided on this user manual are copyrighted or trademarked and are the property of Valore Lifestyle Pte Ltd. Any unauthorized use of any material contained on the instruction manual may violate copyright laws, trademark laws, laws of privacy and communications statutes.

The trademarks, service marks and logos used and displayed in the Materials are registered and unregistered trademarks and service marks of Valore and others. All other registered and unregistered company names, product names and marks mentioned herein the ("Materials") are the property of their respective owners and may be trademarks or registered trademarks.

Complies with  
IDA standards  
DA 103331



Inspired by Valore Singapore

For full range of Valore products visit [www.valore.sg](http://www.valore.sg)