

Outdoor Bicycle Wireless Speaker (NB23)

VALORE

Thank you for purchasing the Valore Outdoor Bicycle Wireless Speaker (NB23).

Take your music anywhere with you on the great outdoors. Mount the speaker on bike handlebars or railings with the bracket provided and enjoy full control of your wireless speaker with the remote.

Important: Please read the user manual thoroughly before using your wireless speaker.

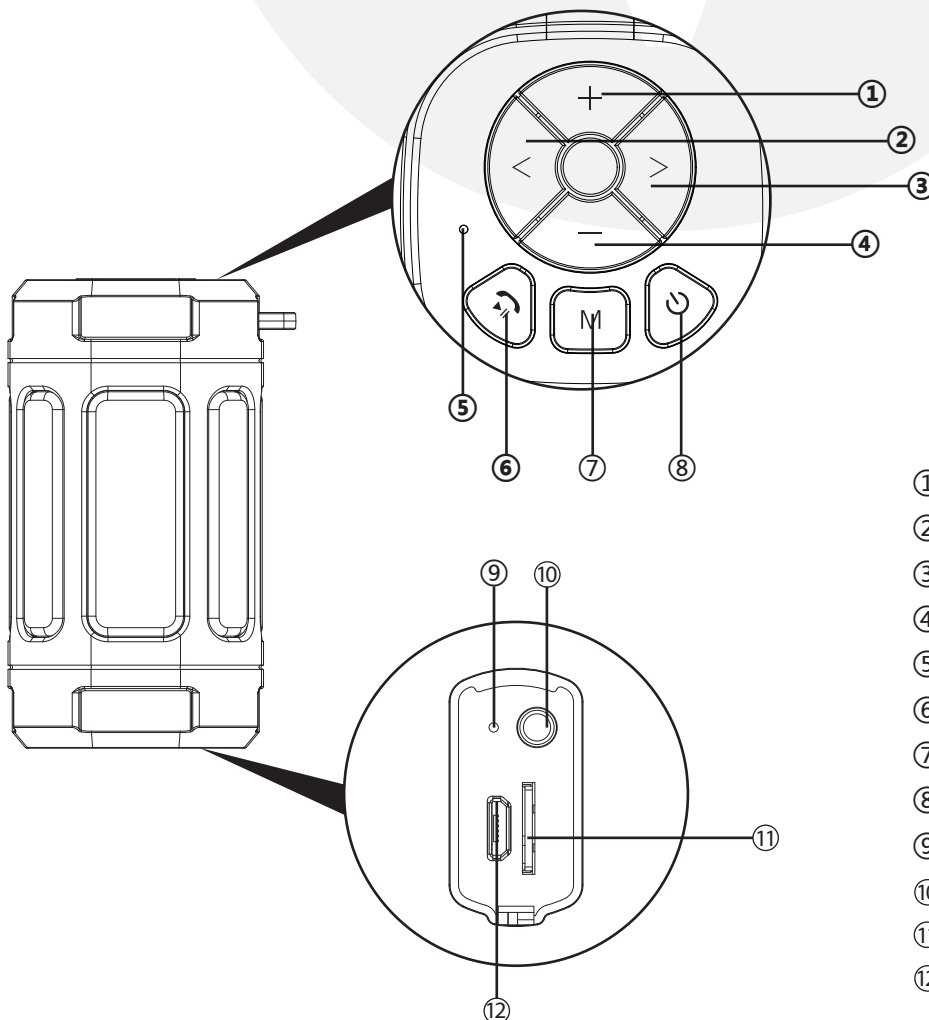
Specifications:

- Wireless range: Up to 10m
- Battery type: 2500mAh (lithium polymer)
- Standby time: Up to 60 hours
- Charging time: Up to 6 hours
- Playback time: Up to 10 hours
- Power input: DC5V/1A
- Dimension (L x W x H): 60 x 68 x 111mm
- Material: TPU
- Weight: 295g

Package Contents:

- Outdoor Bicycle Wireless Speaker
- Auxiliary cable (615mm)
- Micro USB charging cable (620mm)
- Remote controller
- Mounting bracket
- Cable tie x 6
- Anti-slip strip
- Allen key
- Screw x 2
- Carabiner

UNDERSTANDING THE PRODUCT



- ① Volume '+'
- ② Previous track
- ③ Next track
- ④ Volume '-'
- ⑤ Mic
- ⑥ Play / Pause / Call
- ⑦ Mode switch (M)
- ⑧ On/Off button
- ⑨ Charging indicator
- ⑩ Remote controller port
- ⑪ Micro SD card slot
- ⑫ Micro USB charging port

START USING THE WIRELESS SPEAKER

1) Charging the wireless speaker

Connect the USB charging cable to the speaker located on the base of the speaker.

Note: Please charge the speaker for at least 8 hours before first use. Please make sure that the speaker is switched off when charging is in progress.

Light indication:

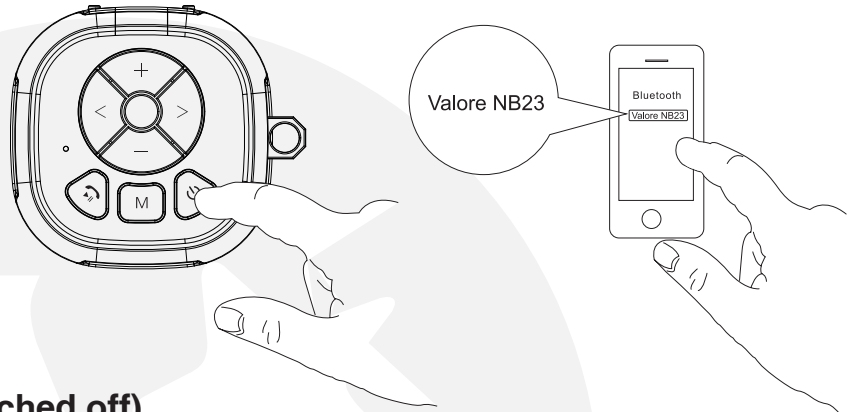
Pairing: Blinking blue

Paired successful: Solid blue

Micro SD card reader: Solid red

Charging: Solid red

Off when full charged



2) Pairing the wireless speaker (switched off)

Step 1: Activate Bluetooth function on your mobile device to begin pairing with speaker.

Step 2: Press and hold onto the On/Off button located on the side of the speaker to turn on, blue LED light will be blinking. The speaker now have entered pairing mode.

Step 3: Connect to the speaker by selecting 'Valore NB23' under the device list. Enter '0000' for password if required.

Step 4: Once connected, the LED light at the Bluetooth button will be solid blue.

Note: If the pairing is not successful, please turn off wireless speaker first, and then re-pair again. After pairing is successful, paired devices will remember each other. Unless pairing information is deleted because of new pairing, no need to pair when using the next time.

If you want to pair the wireless speaker with other devices, please turn off Bluetooth function of existing source device, and pair the wireless speaker with the new device according to steps 1-4 mentioned above.

3) Wireless speaker controls

On/Off button: Press and hold for 2 seconds to switch on/off. When switched on, the speaker will remember the mode you used the last time. Press and hold for 10 seconds to reset.

Mode switch (M) : Press to change modes between Bluetooth/Micro SD card and Aux mode.

* Only use the Aux cable provided as it requires a Micro USB to 3.5mm cable

* To switch back to Bluetooth mode from Micro SD card mode, Press M.

Play/Pause/Call button : In Bluetooth mode, click to play/pause music. Press and hold to disconnect.

In Micro SD card mode, click to play/pause. Press and hold to switch folder in Micro SD card.

In Aux mode, click to mute/play.

When phone rings, click to answer the call, press and hold to reject.

When answering the phone, press to hand up, press and hold to switch to answer by mobile device.

Volume + : Press to increase the volume

Volume - : Press to decrease the volume

Previous track : In Bluetooth mode, click to play last music.

In Micro SD card mode, click to play last song, hold on to fast reverse.

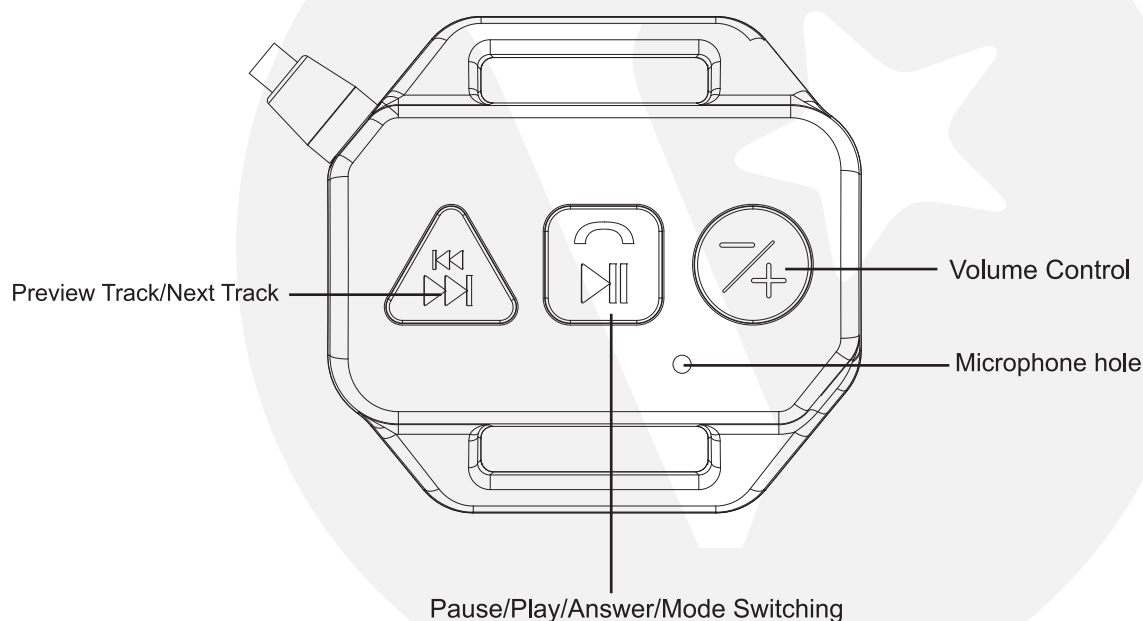
In Aux mode, this button is invalid.

Next track: In Bluetooth mode, click to play next track.

In Micro SD card mode, click to play next track, hold on to fast forward.

In Aux mode, this button is invalid.

4) Remote Controller



Volume Control:

Click to increase volume, long press to decrease volume.

Pause/Play/Answer/Mode Switching

In Bluetooth/TF card mode: click to pause/play.

In TF card mode: hold on to switch folders in TF card.

In any mode: quickly double press to switch mode

Answer calls: click to answer coming call in any mode, hold on to reject the call.

When answering the call, click to hang up.

In Bluetooth model, hold on to recall last call.

Preview Track/Next Track: click to next song, hold on to previous/next song.

TROUBLESHOOTING

Issue 1: speaker is unable to connect successfully to your mobile device

Problem 1: speaker's battery is flat

Solution: Fully charge the speaker (2.5 hours) and retry connection with your mobile device.

Problem 2: speaker not paired to your mobile device

Solution: Make sure that the speaker is successfully paired upon selecting 'Valore NB23' in the device list.

Problem 3: speaker and mobile device too far apart

Solution: Make sure that the speaker is within a metre range during pairing and connection.

Problem 4: speaker is connected to other mobile device

Solution: Make sure that the speaker has already been disconnected before making a new connection with a new device.

Issue 2: Sound from the speaker is too soft or silent

Problem 1: speaker's battery is low / flat

Solution: Fully charge the speaker (2.5 hours) and retry connection with your mobile device.

Problem 2: speaker or mobile device's volume is too low

Solution: Turn the volume of the speaker or mobile device up to increase the volume.

Problem 3: Music track may not be audible

Solution: Make sure that the music track is of a playable format for the mobile device.

Problem 4: speaker and mobile device might not be connected properly.

Solution: Repeat the connection step via Bluetooth/auxiliary cable again to make sure that it is connected properly and try again.

TECHNICAL SUPPORT & WARRANTY

- For Technical Support, email us at v.info@valore.sg.
- For Warranty Registration, visit www.valore.sg.

Cautions:

Read all the instructions and warnings carefully prior to using this product.

- Do not store the speaker in a high temperature environment.
- Do not place the speaker near a fire or other excessively hot environments.
- Do not expose this speaker to moisture or submerge it in liquid. Keep speaker dry at all times.
- Do not attempt to charge the speaker using any other method or connection other than the speaker's provided charging cable.
- Do not disassemble this speaker or attempt to repair or modify it in any manner.
- Be cautious of excessive drops, bumps, abrasions or other impacts to this speaker. If there is any damage to the speaker such as dents, punctures, tears, deformities or corrosion, stop using the speaker and contact us immediately via email at v.info@valore.sg, or return this product to the store where you have purchased it from.
- If the product produces an abnormal smell, high temperature (low temperature during normal use), discolours or changes shape abnormally, stop using the product and contact us immediately via email at v.info@valore.sg.

DISCLAIMER & TRADEMARKS

All information, trademarks, logos, graphics, and images ("Materials") provided on this user manual are copyrighted or trademarked and are the property of Valore Lifestyle Pte Ltd. Any unauthorized use of any material contained on the instruction manual may violate copyright laws, trademark laws, laws of privacy and communications statutes.

The trademarks, service marks and logos used and displayed in the Materials are registered and unregistered trademarks and service marks of Valore and others. All other registered and unregistered company names, product names and marks mentioned herein the ("Materials") are the property of their respective owners and may be trademarks or registered trademarks.

Complies with
IMDA Standards
DA103331



Inspired by Valore Singapore

For full range of Valore products visit www.valore.sg