

Valore 6000mAh Power Bank (PB02)

VALORE

Thank you for purchasing the Valore 6000mAh Power Bank.

Hassle-free charging in between iOS and Android devices with Valore power bank that comes with a detachable 8-pin adaptor.

Important: Please read the user manual thoroughly before using your 6000mAh Power Bank.

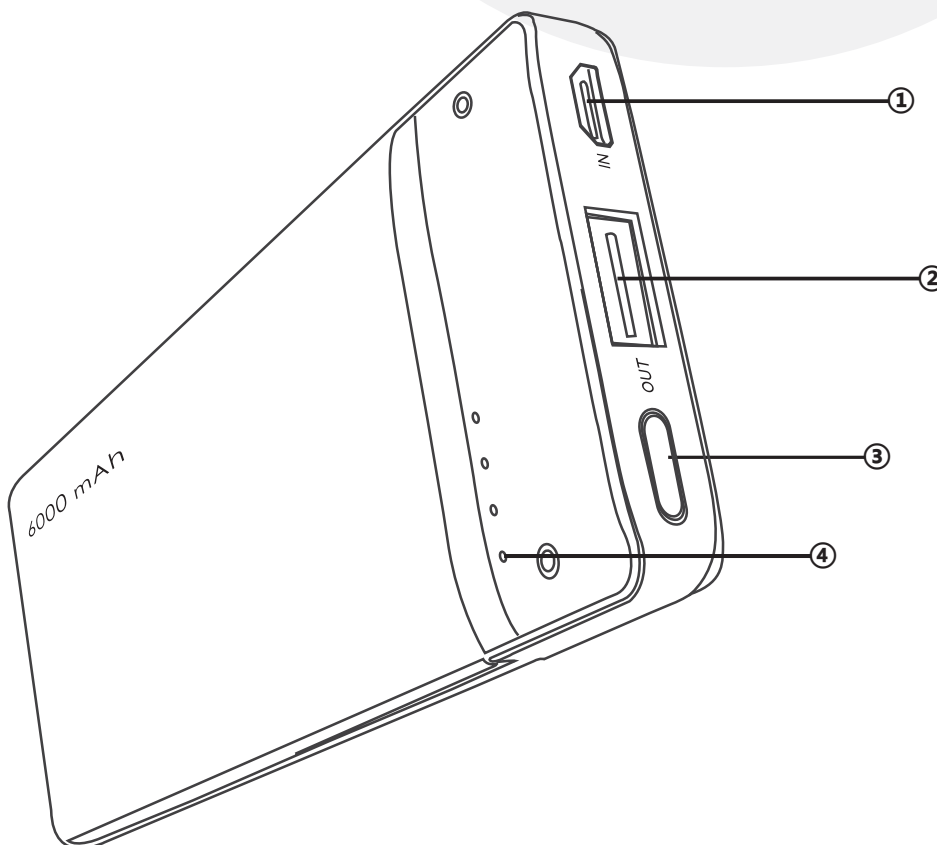
Specifications:

- Battery capacity: 6000mAh
- Battery type: Built-in Li-Polymer
- Charging time: 3.5 hours (5V/2.0A USB adapter)
- Recharge cycle: 500 times
- Power output: 5V/2.0A (Max)
- Power input: 5V/2.0A (Max)
- Transfer rate: 85%
- Material: PC + ABS
- Dimension (L x W x H): 150 x 57 x 10mm
- Weight: 134g

Package Contents:

- 6000mAh Power Bank
- Micro USB cable
- Detachable 8-pin adaptor

UNDERSTANDING THE PRODUCT



- ① Micro USB input (5V/2.0A)
- ② USB output (5V/2.0A)
- ③ Power On/Off button
- ④ LED indicator

START USING THE 6000MAH POWER BANK

1) Charging the power bank (2.0A USB adapter to wall plug)

Connect your power bank to the USB adapter (2.0A) using the provided charging cable.

When the LED indicator displays 4 blue LED lights, it indicates that the battery is fully charged.

Power level:

One LED: <25%

Two LED: <50%

Three LED: <75%

Four LED: <=100%

**The above mentioned is for reference only*

Note: Fully charge the power bank for at least 14-16 hours before first use. This is to maximise the battery performance and prolonging the life of lithium ion batteries.

Recharge your power bank once every three months when not in use or seldom used.

2) Charging of mobile devices (5V/2.0A)

Connect your power bank to your mobile device (2.0A) using the provided charging cable.

TROUBLESHOOTING

Issue 1:

Power bank is unable to charge your mobile device

Problem 1: Power bank battery is flat

Solution: Fully charge the power bank and resume charging your mobile device..

Problem 2: Incompatible cable (User's)

Solution: Use the original cable provided by either Valore or your mobile device.

Issue 2:

Power bank drains off quickly

Problem: Running multiple applications on your mobile device

Solution: Turn off all running applications on the mobile device and leave it to charge till full.

Extra consumption of energy would be due to heat produced during the charging of your mobile device.

Issue 3:

Unable to charge (power indicator is not flashing)

Problem 1: The voltage of the power adapter is too low.

Solution: Use 5V supply with at least 800mAR for charging.

Problem 2: Faulty cable

Solution: Check the cable to ensure that it is well connected or replace damaged cables.

TECHNICAL SUPPORT & WARRANTY

- For Technical Support, email us at v.info@valore.sg.
- For Warranty Registration, visit www.valore.sg.

Cautions:

Read all the instructions and warnings carefully prior to using this product.

- Do not store the product in a high temperature environment.
- Do not place the product near a fire or other excessively hot environments.
- Do not expose its product to moisture or submerge it in liquid. Keep product dry at all times.
- Do not attempt to charge the product using any other method or connection other than the product's provided charging cable.
- Do not disassemble this product or attempt to repair or modify it in any manner.
- Power bank usage by children under 9 years old should be supervised by an adult.
- Be cautious of excessive drops, bumps, abrasions or other impacts to this product. If there is any damage to the product such as dents, punctures, tears, deformities or corrosion, stop using the product and contact us immediately via email at v.info@valore.sg, or return this product to the store where you have purchased it from.
- If the product produces an abnormal smell, high temperature (low temperature during normal use), discolours or changes shape abnormally, stop using the product and contact us immediately via email at v.info@valore.sg.

DISCLAIMER & TRADEMARKS

All information, trademarks, logos, graphics, and images ("Materials") provided on this user manual are copyrighted or trademarked and are the property of Valore Lifestyle Pte Ltd. Any unauthorized use of any material contained on the instruction manual may violate copyright laws, trademark laws, laws of privacy and communications statutes. The trademarks, service marks and logos used and displayed in the Materials are registered and unregistered trademarks and service marks of Valore and others. All other registered and unregistered company names, product names and marks mentioned herein the ("Materials") are the property of their respective owners and may be trademarks or registered trademarks.



Inspired by Valore Singapore

For full range of Valore products visit www.valore.sg