

Thank you for purchasing the Valore Wireless Earpiece (R551).

Compact in size yet big on features! Experience hands-free high quality calls wirelessly for safe driving with the Valore wireless earpiece, connecting up to two mobile phones simultaneously. Enjoy your favourite music and podcast wherever you go, whenever you need with the built-in A2DP feature.

Important: Please read the user manual thoroughly before using your wireless earpiece.

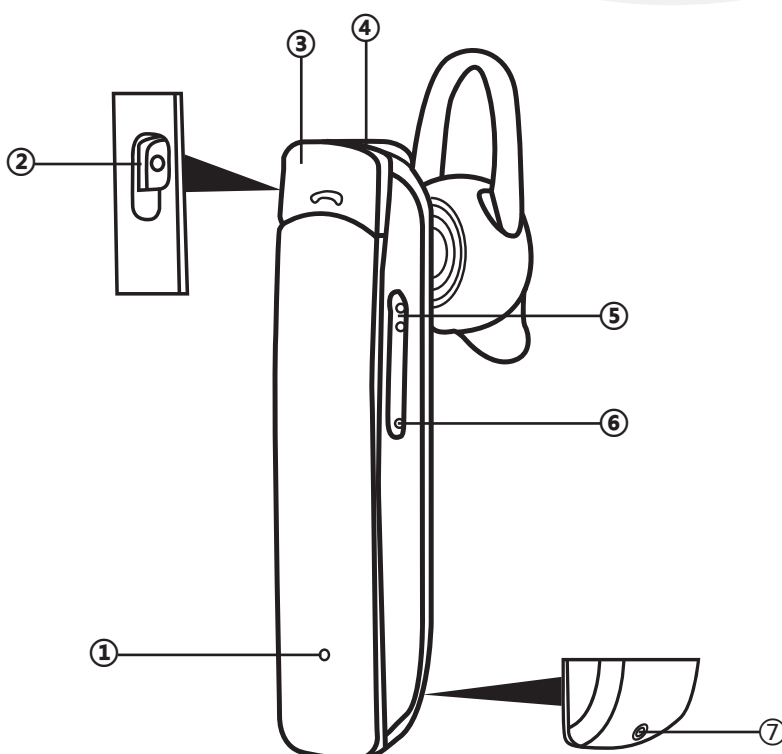
Specifications:

- Wireless range: Up to 10m
- Support: A2DP/AVRCP
- Battery type: Polymer lithium-ion 100mAh
- Standby time: Up to 160 hours
- Charging time: Up to 2 hours
- Playback time: Up to 4.5 hours
- Power input: DC5V
- Material: ABS + PC
- Dimensions (L x W x H): 65 x 15 x 27mm
- Weight : 9g

Package Contents:

- Wireless earpiece
- USB charging cable
- Earcap x 2
- Earhook x 1

UNDERSTANDING THE PRODUCT



- ① LED indicator
- ② On/Off switch
- ③ Multi-functional button (M)
- ④ Micro USB charging port
- ⑤ Volume '+'
- ⑥ Volume '-'
- ⑦ Mic

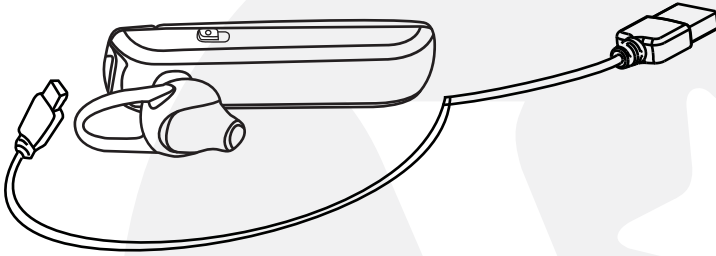
START USING THE WIRELESS EARPIECE

1) Power On/Off

Slide down the On/Off switch to turn the wireless earpiece on.

2) Charging the wireless earpiece

Connect the USB charging cable provided to the micro USB charging port located at the top of the earpiece. A red LED turns on during charging and turns off when it is fully charged. When battery is low, red LED light will be flashing.



Note: Please charge the earpiece for at least 8 hours before first use. Please make sure that the earpiece is switched off when charging is in progress.

3) Pairing the wireless earpiece (switched off)

Step 1: Activate Bluetooth function on your mobile device to begin pairing with headset.

Step 2: Press and hold the Multi-functional button till LED indicator flashes red and blue.

Step 3: Connect to the earpiece by selecting 'Valore R551' under the device list.

Step 4: Once connected, the LED light at the will be slow flashing blue.

Note: If the pairing is not successful, please turn off wireless earpiece first, and then re-pair again. After pairing is successful, paired devices will remember each other. Unless pairing information is deleted because of new pairing, no need to pair when using the next time.

If you want to pair the wireless earpiece with other devices, please turn off Bluetooth function of existing source device, and pair the wireless earpiece with the new device according to steps 1-4 mentioned above.

4) Wireless earpiece controls

Multi-functional button

When there is an incoming call, short press this button to answer phone calls. Short press again to end call.

Long press this button to reject a call.

Long press this button to redial last remembered call.

During a call, double press this button to switch to speak through cellphone.

When playing music, short press this button to play or pause.

Volume '+'/ Next song

Long press to go to next song. Short press to increase volume.

Volume ‘-/ Previous song

Long press to go to previous song. Short press to decrease volume.

TROUBLESHOOTING

Issue 1: Earpiece is unable to connect successfully to your mobile device

Problem 1: Earpiece’s battery is flat

Solution: Fully charge the earpiece (2.5 hours) and retry connection with your mobile device.

Problem 2: Earpiece not paired to your mobile device

Solution: Make sure that the earpiece is successfully paired upon selecting ‘Valore BTS-126’ in the device list.

Problem 3: Earpiece and mobile device too far apart

Solution: Make sure that the earpiece is within a metre range during pairing and connection.

Problem 4: Earpiece is connected to other mobile device

Solution: Make sure that the earpiece has already been disconnected before making a new connection with a new device.

Issue 2: Sound from the earpiece is too soft or silent

Problem 1: Earpiece’s battery is low / flat

Solution: Fully charge the earpiece (2 hours) and retry connection with your mobile device.

Problem 2: Earpiece or mobile device’s volume is too low

Solution: Turn the volume of the earpiece or mobile device up to increase the volume.

Problem 3: Music track may not be audible

Solution: Make sure that the music track is of a playable format.

Problem 4: Earpiece and mobile device might not be connected properly.

Solution: Repeat the connection step via Bluetooth again to make sure that it is connected properly and try again.

TECHNICAL SUPPORT & WARRANTY

- For Technical Support, email us at v.info@valore.sg.
- For Warranty Registration, visit www.valore.sg.

Cautions:

Read all the instructions and warnings carefully prior to using this product.

- Do not store the earpiece in a high temperature environment.
- Do not place the earpiece near a fire or other excessively hot environments.
- Do not expose this earpiece to moisture or submerge it in liquid. Keep earpiece dry at all times.
- Do not attempt to charge the earpiece using any other method or connection other than the headset's provided charging cable.
- Do not disassemble this earpiece or attempt to repair or modify it in any manner.
- Be cautious of excessive drops, bumps, abrasions or other impacts to this headset. If there is any damage to the earpiece such as dents, punctures, tears, deformities or corrosion, stop using the earpiece and contact us immediately via email at v.info@valore.sg, or return this product to the store where you have purchased it from.
- If the product produces an abnormal smell, high temperature (low temperature during normal use), discolours or changes shape abnormally, stop using the product and contact us immediately via email at v.info@valore.sg.

DISCLAIMER & TRADEMARKS

All information, trademarks, logos, graphics, and images ("Materials") provided on this user manual are copyrighted or trademarked and are the property of Valore Lifestyle Pte Ltd. Any unauthorized use of any material contained on the instruction manual may violate copyright laws, trademark laws, laws of privacy and communications statutes.

The trademarks, service marks and logos used and displayed in the Materials are registered and unregistered trademarks and service marks of Valore and others. All other registered and unregistered company names, product names and marks mentioned herein the ("Materials") are the property of their respective owners and may be trademarks or registered trademarks.

Complies with
IMDA Standards
DA103331



Inspired by Valore Singapore

For full range of Valore products visit www.valore.sg