

Bluetooth Optical Mouse (V-AC8802)

VALORE

Thank you for purchasing the Valore Bluetooth Optical Mouse.

The integrated DPI button with 1000 DPI sensor delivers quick-response cursor control. The elegant, compact design makes this a stylish addition to any work place.

Important: Please read the user manual thoroughly before using your Bluetooth optical mouse.

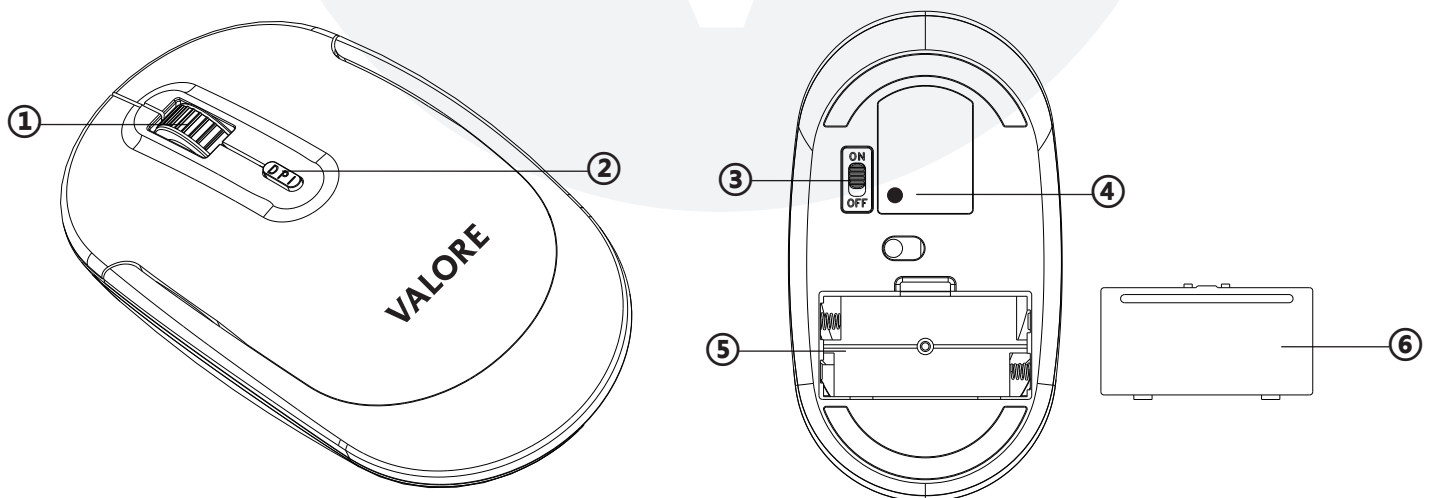
Specifications:

- Model: V-AC8802
- Bluetooth Version: 3.0
- Wireless range: Up to 10 metres
- Battery type: 2 x AAA batteries (not included)
- Working time: 6 months
- DPI level: 1000/1200/1600
- Material: ABS
- Dimension (L x W x D): 108 × 57 × 26mm
- Weight: 56g

Package contents:

- Bluetooth optical mouse

UNDERSTANDING THE PRODUCT

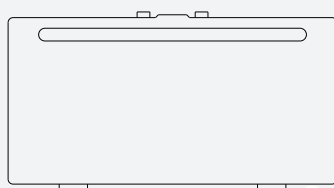
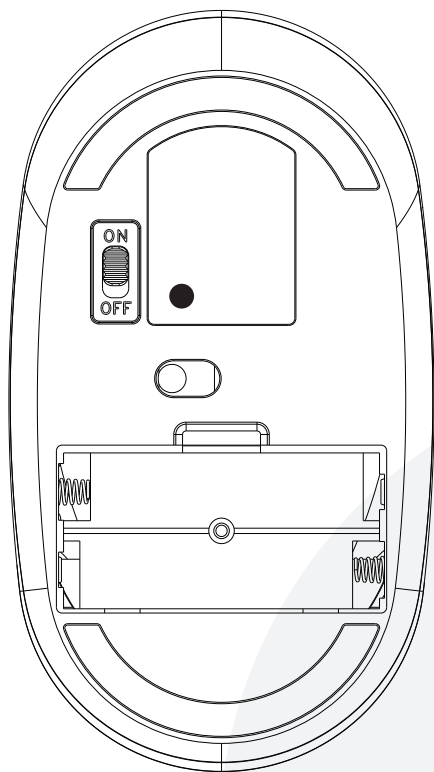


- | | |
|-----------------|----------------------------|
| ① Scroll wheel | ④ Bluetooth pairing button |
| ② DPI button | ⑤ Battery compartment |
| ③ On/Off switch | ⑥ Battery cover |

START USING THE MOUSE

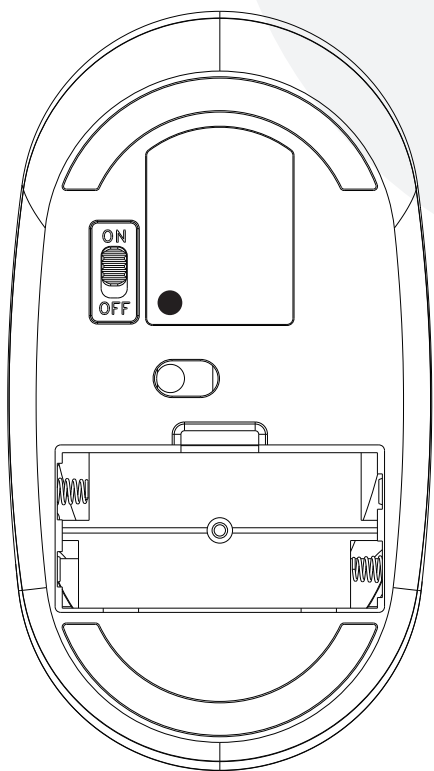
Step 1

Remove the Battery cover.



Step 2

Insert 2xAAA batteries into the battery compartment, making sure the polarity is correct.



Step 3

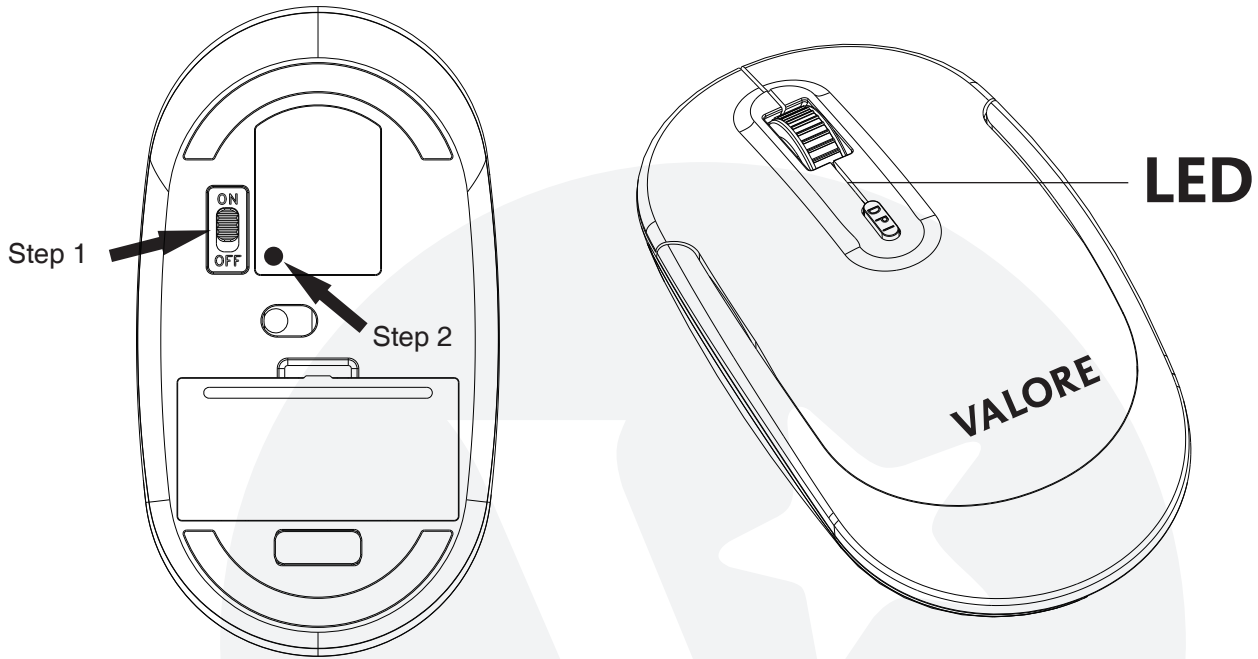
Pairing the wireless optical mouse

Step 1: Turn on the wireless mouse.

Step 2: Press and hold the 'Bluetooth Pairing' button of the mouse until the Blue LED light flashes alternately.

Step 3: Activate Bluetooth function on your laptop/PC to begin pairing with the mouse.

Step 4: Connect to the mouse by selecting 'Valore-AC8802' under the device list.



Re-pairing the wireless optical mouse

Each time the wireless optical mouse is turned on, it will attempt to connect to the last device it was paired with automatically (laptop/PC with Bluetooth function turned on).

The wireless optical mouse will do as follows:

1. Connect to last connected devices automatically;
2. Be listed in the screen of devices as an output channel. Select 'Valore-AC8802' to connect.

DPI Button

Short press the "DPI" button, cursor sensitivity will rotate among 3 levels of 1000 (default), 1200 and 1600DPI.

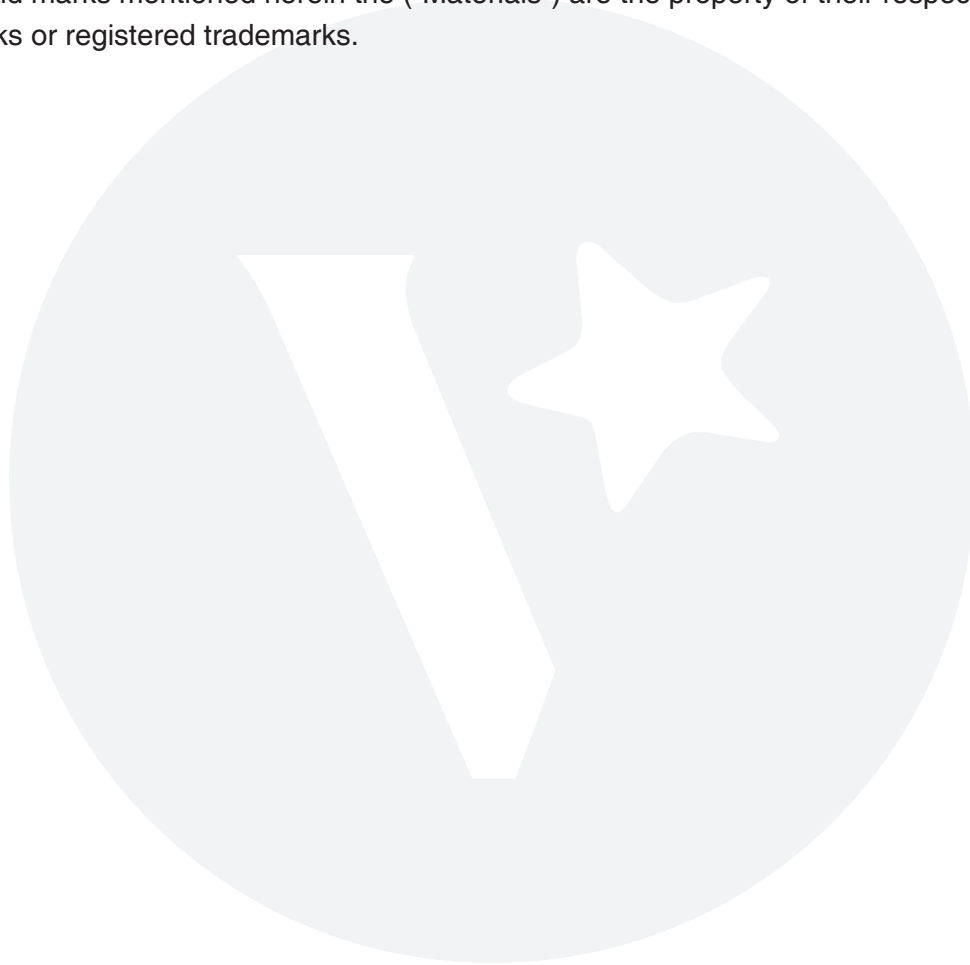
TECHNICAL SUPPORT & WARRANTY

- For Technical Support, email us at v.info@valore.sg.
- For Warranty Registration, visit www.valore.sg.

DISCLAIMER & TRADEMARKS

All information, trademarks, logos, graphics, and images (“Materials”) provided on this user manual are copyrighted or trademarked and are the property of Valore Lifestyle Pte Ltd. Any unauthorized use of any material contained on the instruction manual may violate copyright laws, trademark laws, laws of privacy and communications statutes.

The trademarks, service marks and logos used and displayed in the Materials are registered and unregistered trademarks and service marks of Valore and others. All other registered and unregistered company names, product names and marks mentioned herein the (“Materials”) are the property of their respective owners and may be trademarks or registered trademarks.



Complies with
IDA standards
DA 103331



Inspired by Valore Singapore
For full range of Valore products visit www.valore.sg