

# Valore Touch LED Table Lamp With Digital Clock (V-LTL9306)

# VALORE

Thank you for purchasing the Valore Touch LED Table Lamp With Digital Clock (V-LTL9306)

Brighten up your work space with this modern, white-finish LED table lamp that also comes with digital clock and alarm functions. Two touch-dimmer switches let you choose the intensity of the brightness from 10 to 99.

**Important:** Please read the user manual thoroughly before using your table lamp.

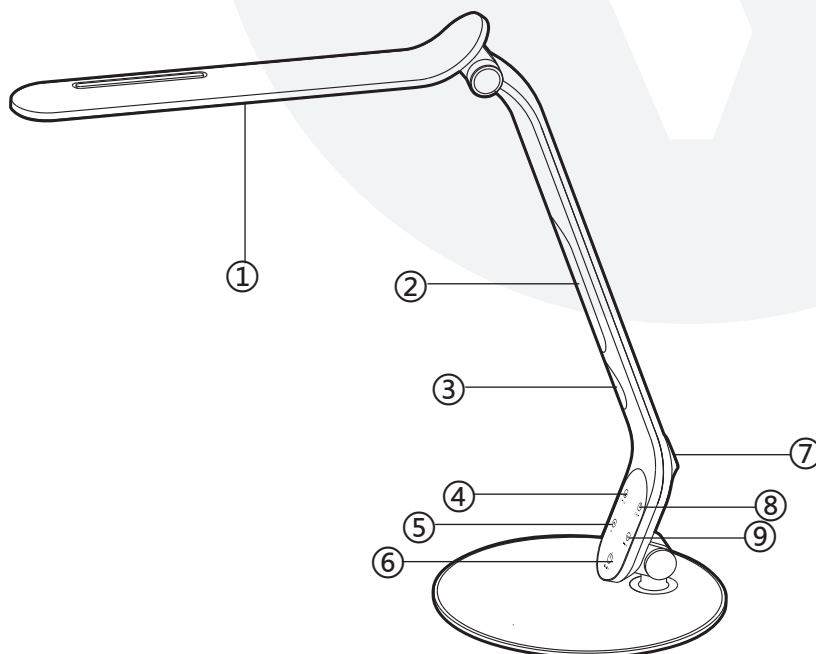
## Specifications:

- Input: DC12V/1.5A
- Voltage: 100-240V
- Power: 9.5W
- LED: 2835 LED Chip
- Illumination: 250lm
- Colour temperature: 4000k
- Material: ABS
- Dimensions (L x W x H): 180 x 180 x 420mm
- Weight: 1050g

## Package Contents:

- Touch LED table lamp
- AC adapter

## UNDERSTANDING THE PRODUCT



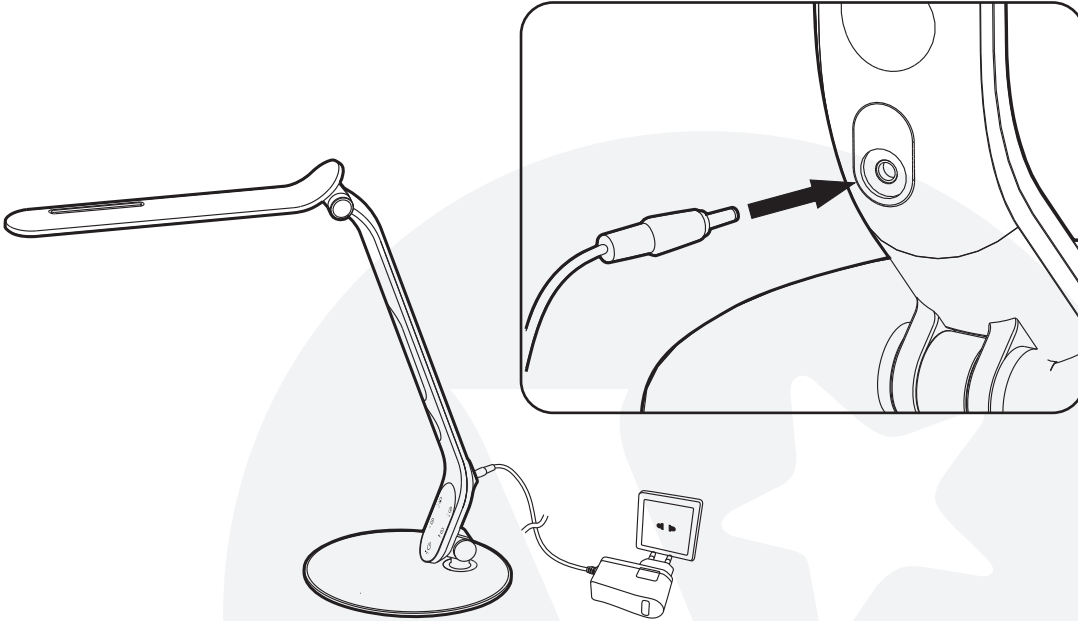
- ① LED light
- ② Digital clock display
- ③ Brightness level display
- ④ Screen button
- ⑤ Up button
- ⑥ On/Off button
- ⑦ AC port
- ⑧ Sleep button
- ⑨ Down button

# START USING THE TOUCH LED TABLE LAMP

## 1) Charging the touch LED Table Lamp (AC adapter to wall plug)

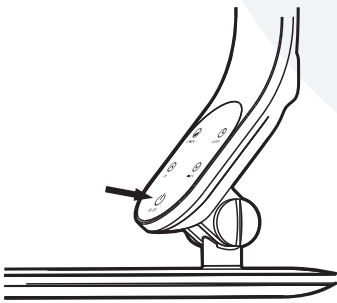
Adjust the table lamp to a working position and plug the AC adapter into the AC port located at the back of the table lamp and connect it to a wall plug.

Note: Please note that the AC adapter provided should not be used to charge/power up other products.



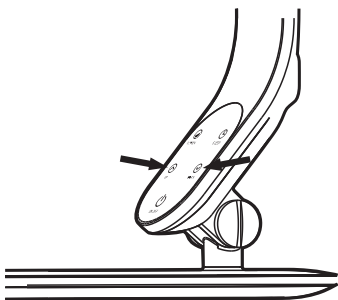
## 2) Turning On/Off the table lamp

Gently touch the ON/OFF switch to turn ON the lights of the LED table lamp. Touch and hold the same switch for 2-3 seconds to turn off the LED lights.



## 3) Adjusting the table lamp brightness

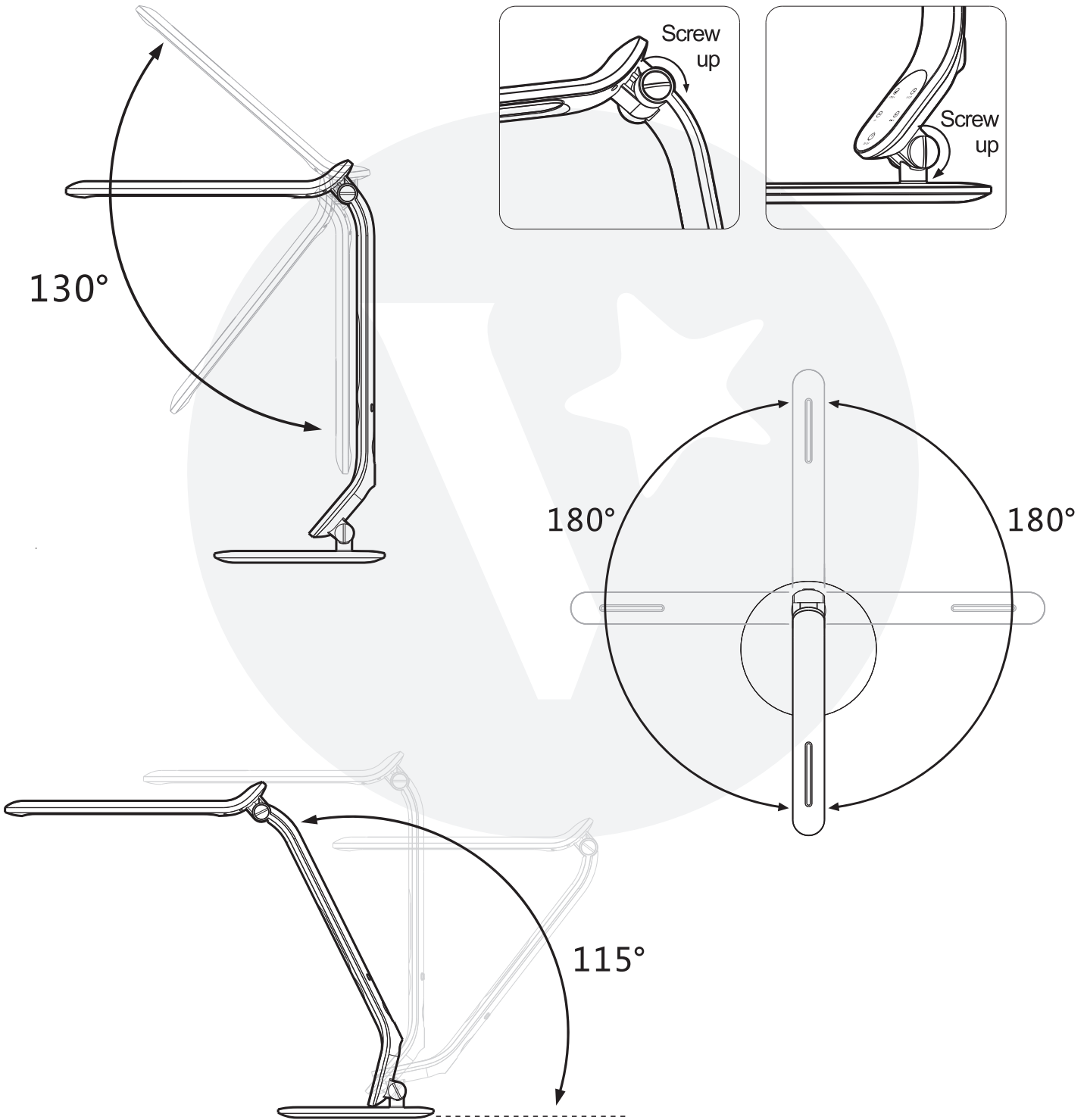
Press and hold the up button to increase the intensity and down button to reduce the intensity of the LED light.



#### 4) Proper use of table lamp

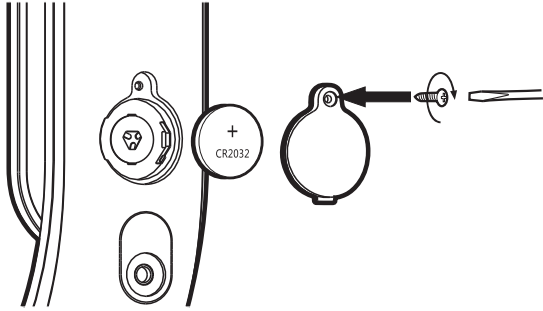
Do not exceed the safety angles as shown below. Do not adjust the angle of the table lamp too often, as doing so will damage and wear off the joints of the table lamp, causing it to be loose. If the lamp joint is loose, you could tighten up the screw located at the joint.

Do not exert too much force on the lamp head to avoid toppling the table lamp causing damage.



## 5) Replace CMOS battery

Unscrew the lock and remove the battery case to replace the CMOS battery



## 5) Clock and alarm setting

Press 'Set' button to enter into setting mode.

The settings may be set in the following sequence:

Hour > Minute > Exit setting

a) Hour/Minute setting:

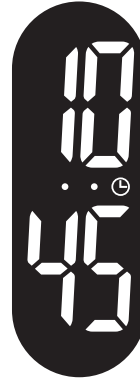
The 'Hour/Minute' section will flash

Press the 'Up' / 'Down' button to select the hour and press the 'Set' button to set the hour and minute. Press the 'Set' button to confirm and move on.


b) Alarm setting:

Press 'Mode' button to enter into alarm setting mode.  sign will lit up

Press 'Set' button to select hour follow by pressing the 'Up' / 'Down' button to select the hour and press the 'Set' button to set the minute. Press the 'Set' button to confirm.



## 6) Shortcut Key

In normal mode, press 'Up' button to activate the alarm. When alarm activated,  sign will lit up.

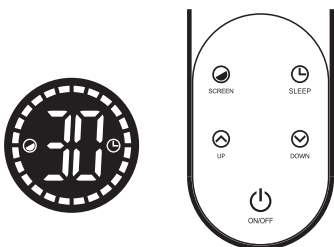
In normal mode, press 'Down' button to switch between 12H/24H.

Press any key to stop the alarm.

## 7) Sleep function

Press the 'Sleep' button to select the shut down timer

10 minutes - 30 minutes - 60 minutes - 90 minutes (00 means shut off)



## TECHNICAL SUPPORT & WARRANTY

- For Technical Support, email us at [v.info@valore.sg](mailto:v.info@valore.sg).
- For Warranty Registration, visit [www.valore.sg](http://www.valore.sg).

### Cautions:

Read all the instructions and warnings carefully prior to using this product.

- Do not store the table lamp in a high temperature environment.
- Do not place the table lamp near a fire or other excessively hot environments.
- Do not expose its table lamp to moisture or submerge it in liquid. Keep table lamp dry at all times.
- Do not attempt to charge the table lamp using any other method or connection other than the table lamp's provided charging cable.
- Do not disassemble this table lamp or attempt to repair or modify it in any manner.
- Be cautious of excessive drops, bumps, abrasions or other impacts to this table lamp. If there is any damage to the table lamp such as dents, punctures, tears, deformities or corrosion, stop using the table lamp and contact us immediately via email at [v.info@valore.sg](mailto:v.info@valore.sg), or return this product to the store where you have purchased it from.
- If the product produces an abnormal smell, high temperature (low temperature during normal use), discolours or changes shape abnormally, stop using the product and contact us immediately via email at [v.info@valore.sg](mailto:v.info@valore.sg).

### DISCLAIMER & TRADEMARKS

All information, trademarks, logos, graphics, and images ("Materials") provided on this user manual are copyrighted or trademarked and are the property of Valore Lifestyle Pte Ltd. Any unauthorized use of any material contained on the instruction manual may violate copyright laws, trademark laws, laws of privacy and communications statutes.

The trademarks, service marks and logos used and displayed in the Materials are registered and unregistered trademarks and service marks of Valore and others. All other registered and unregistered company names, product names and marks mentioned herein the ("Materials") are the property of their respective owners and may be trademarks or registered trademarks.