

Thank you for purchasing the Valore Smart Watch (VHA-19).

- Step, calorie & distance counter
- Sleep monitoring & exercise mode
- Call & alarm clock reminder
- Incoming call, text & app notification display^
- Multi-sports tracking

**Important:** Please read the user manual thoroughly before using your Smart Watch.

Note: The data collected on the smart watch is not for medical usage.

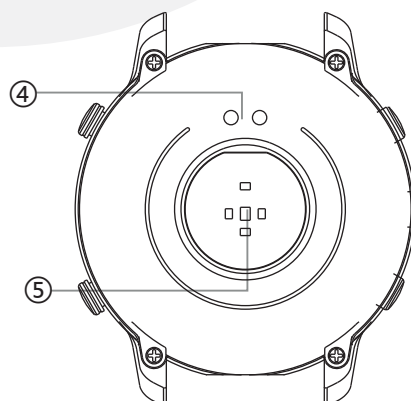
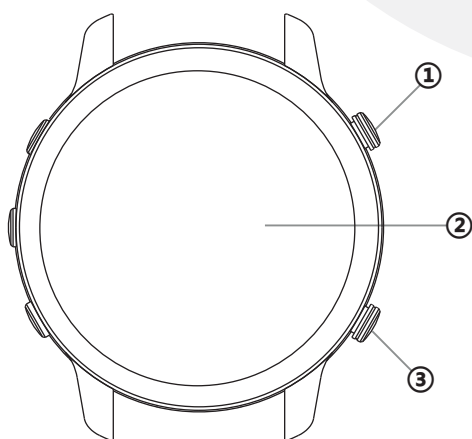
### Specifications:

- Battery type: 200mAh lithium battery
- Working time: Up to 7 days
- Standby time: Up to 30 days
- Charging time: Approximately 4 hours
- Support: Android 4.4 and above, iOS 8.2 and above
- Colour display screen size: 1.3"

### Package Contents:

- Smart watch
- Extra brown microfiber leather strap
- Extra orange rubber strap
- Charging cable

## UNDERSTANDING THE PRODUCT

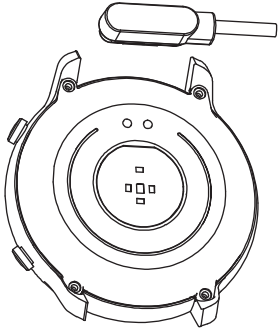


- ① Up button  
(Power button/Back button)
- ② Touch display
- ③ Down button  
(Sports shortcut)
- ④ Charging contact
- ⑤ Heart rate sensor

# START USING THE SMART WATCH

## 1) Charging the smart watch

Align pin from charger to charging point located at the back correctly.



## 2) Install application

Scan the following QR codes or go to the application store to download and install "GloryFit".



Android



iOS



Google Play

## 3) Main interface/dial

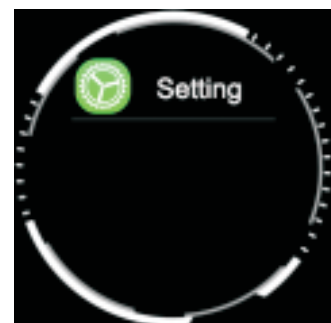
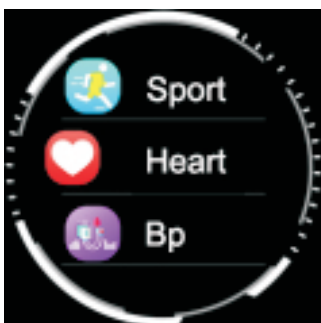
Press and hold the touch screen on the main interface to enter.

Slide left and right to switch and click OK. (The dial has 5 styles)



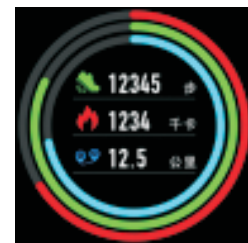
## 4) Function page

Press the up button on the main interface to enter the function page, right slides back to the main interface.



### 5) Step/distance/calorie

View the number of steps taken at any time of the day, walking distance and calories burned. Can be synchronised to the app in time to view the sports data.



### 6) Heart rate interface

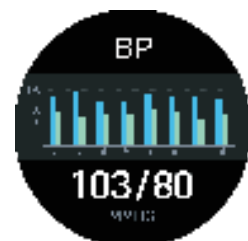
Switch to the heart rate test interface to enter the heart rate real time monitoring, measurement data can be synchronised to the app in time with the test report.



### 7) Blood pressure interface

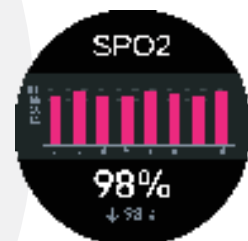
Switch to the blood pressure interface to enter the blood pressure real-time monitoring. Measurement data can be synchronised to the app in time with test report.

**Note: Test results are for reference only and cannot be used as medical data.**



### 8) Blood oxygen interface

Switch to the blood oxygen test interface to enter the real-time detection of blood oxygen. Test results are displayed directly on the bracelet interface.



### 9) Stopwatch

Click the stopwatch icon to enter the stopwatch function. Switpe right



### 10) Music player controller

After connecting the device, you can remotely control the music player on the phone. When th mobil phone is playing music, you can use the watch to control the mobile phone to play/pause, go to previous/next song operation.



### 11) Weather interface

The weather interface will display the current weather, air quality information, and the situation tomorrow. Weather information needs to be connected to the app.



## 12) Message interface

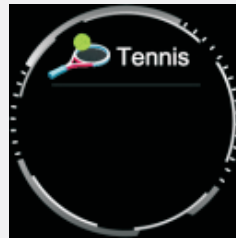
On the main interface, slide into the message interface and click the message icon to view the message. Click to turn the page, view the message to exit or right to exit.



## 13) Sports interface

Press the button on the main interface to enter the motion interface, right slides back to the main interface. Click on the motion map, the target can enter the motion mode detection. Running, cycling, swimming, skipping, table tennis, badminton or tennis.

Press the button on the main interface to enter, slide up and down to switch, click to start calculation, right slide to exit Sports mode.



## 14) Setting function interface

In the main interface, slide down to enter the setting function interface, you can choose "Find phone", "Brightness adjustment", "About" "More features". Click the icon to enter the corresponding function settings.



## 15) Find the phone interface

In the connected state, click the "Find" icon to enter, click, the phone will give a vibrate or ringtone reminder.

## 16) Brightness adjustment interface

You can freely choose the screen brightness by clicking the brightness adjustment icon.

## 17) About the interface

Click on the icon to display the model number of the machine and the last four digits of the Bluetooth address.

## 18) Restore interface

Click the restore icon to enter.

## 19) Shutdown interface

Click on the shutdown page to enter.

## 20) Other feature reminders

The reminder function needs to set the open reminder switch on the application and keep the mobile phone and the bracelet in the Bluetooth connection.

In the successful state, the message is a vibration reminder.

## 21) Sleep monitoring function

When you fall asleep, the bracelet will automatically judge to enter the sleep detection mode, automatically detecting your deep sleep, shallow all night sleep, wake up time, calculate your sleep quality; sleep data only supports on application view.

**Note: Sleep data will only be available when you wear the bracelet to sleep.**



## TECHNICAL SUPPORT & WARRANTY

- For Technical Support, email us at [v.info@valore.sg](mailto:v.info@valore.sg).
- For Warranty Registration, visit [www.valore.sg](http://www.valore.sg).

### Cautions:

Read all the instructions and warnings carefully prior to using this product.

- Do not attempt to replace battery or open the enclosure or disassemble this product. Doing so will void the warranty and can result in safety hazard.
- Do not store the smart watch in a high temperature environment.
- Do not place the smart watch near a fire or other excessively hot environments.
- Do not expose this smart watch to moisture or submerge it in liquid. Keep smart watch dry at all times.
- Do not disassemble this smart watch or attempt to repair or modify it in any manner.
- Be cautious of excessive drops, bumps, abrasions or other impacts to this smart watch. If there is any damage to the smart watch such as dents, punctures, tears, deformities or corrosion, stop using the smart watch and contact us immediately via email at [v.info@valore.sg](mailto:v.info@valore.sg), or return this product to the store where you have purchased it from.
- If the product produces an abnormal smell, high temperature (low temperature during normal use), discolours or changes shape abnormally, stop using the product and contact us immediately via email at [v.info@valore.sg](mailto:v.info@valore.sg).

### DISCLAIMER & TRADEMARKS

All information, trademarks, logos, graphics, and images (“Materials”) provided on this user manual are copyrighted or trademarked and are the property of Challenger Technologies Limited. Any unauthorized use of any material contained on the instruction manual may violate copyright laws, trademark laws, laws of privacy and communications statutes.

The trademarks, service marks and logos used and displayed in the Materials are registered and unregistered trademarks and service marks of Valore and others. All other registered and unregistered company names, product names and marks mentioned herein the (“Materials”) are the property of their respective owners and may be trademarks or registered trademarks.

Complies with  
IMDA Standards  
DA103331



IOS is a trademark or registered trademark of Cisco in the U.S. and other countries and is used under license.

Inspired by Valore Singapore

For full range of Valore products visit [www.valore.sg](http://www.valore.sg)