

# MAXIMAL – 1080P Full HD WiFi Action Camera (VMS56)

# VALORE

Thank you for purchasing Valore MAXIMAL – 1080P Full HD WiFi Action Camera (VMS56).

Get ready for any adventure with the Valore MAXIMAL and capture stunningly smooth video in full HD quality. The WiFi-enabled feature gives you the option to control the camera and download the video instantly using your smart mobile devices.

**Important:** Please read the user manual thoroughly before using your WiFi action camera.

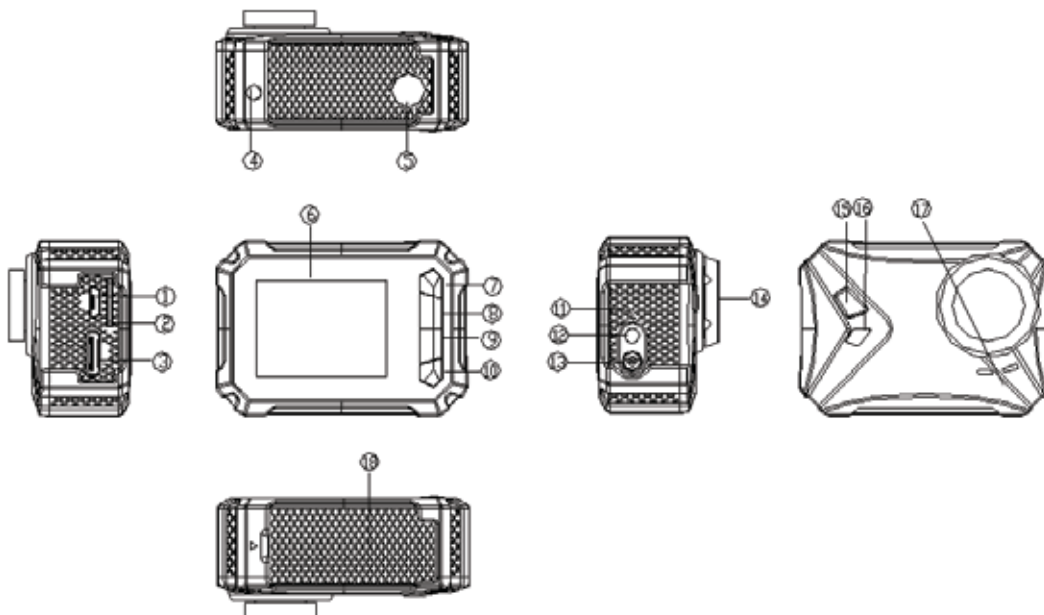
## Specifications:

- Image sensor: OV2720
- LCD: 1.5" TFT screen
- Lens: 170° ultra wide-angle
- Resolution: 1920 x 1080P @30fps / 1280 x 720P @60fps / 1280 x 720P @30fps
- Photo resolution: 12M / 10M / 8M / 6M / 3M / 2M / VGA
- Input: 5-12V
- Water-resistance: Up to 30m
- Battery type: 3.7V Lithium battery 750mAh
- Video format: MOV
- Video codec: H.264
- Photo format: JPG
- Storage: Min 8GB, Max 32GB Class 10 microSD™ card (not included)
- Dimension(L x W x H): 59 x 41 x 29.8mm
- Weight: 55g (with waterproof case 130g)

## Package Contents:

- 1080P Full HD action camera
- Waterproof case
- Bicycle holder
- Bandage x 4
- Switch support x 3
- Adaptor
- Helmet base x 2
- Clip
- Wire rope
- Cable tie x 4
- Lens cloth
- Battery
- USB cable

## UNDERSTANDING THE PRODUCT



1. Micro USB port
2. TF card holder
3. HDMI-D port
4. Charge indicator
5. Ok key
6. Screen
7. Menu key
8. Up key
9. Down key
10. Mode key/Back key
11. MIC
12. WIFI indicator
13. WIFI key
14. Lens
15. Power/Mode key
16. Work indicator
17. Speaker
18. Battery cover

## **1) Controls**

### **Menu key**

In standby state, short press to enter the main menu function list. Press the Up and Down key to choose your desired option. Press the OK key to confirm. After setup, press the Menu key to exit.

### **Up key**

In menu setup and replay mode, this key is to page upward.

In video recording mode, short press to turn on/off audio recording.

### **Video key/Image key/OK key**

In video recording mode, short press to start/stop recording.

In photograph mode, short press to take a picture.

In file browsing mode, short press to play video.

### **Down key**

In menu setup and replay mode, this key is to page downward.

In record mode, if it detected that the vehicle has collision, press to activate emergency video lock key, the lock icon will appear on the bottom of the screen.

### **Power key**

In power off state, long press to turn on. Long press to switch off.

Short press to switch between video recording/photograph/replay mode.

## **2) Charging battery**

Connect the USB charging cable provided to PC or a charging adaptor. You may charge the battery even if the camera is off. In charging, the charging indicator will be on. After it is fully charge, the indicator will be off.

## **2) WiFi Mode**

Install the application "iSport Cam" from your mobile's application store.

a) In default, this function is inactivated. Press and hold the WiFi key till the LCD screen display 'WiFi connection'.

b) Activate the WiFi function on your mobile device.

c) Connect to 'VMS56' from your WiFi list. Key in "12345678" if password is required.

d) The LCD screen of the device will display "WiFi connection ready" when successful.

Launch the installed iSport Cam application.

## TECHNICAL SUPPORT & WARRANTY

- For Technical Support, email us at [v.info@valore.sg](mailto:v.info@valore.sg).
- For Warranty Registration, visit [www.valore.sg](http://www.valore.sg).

### Cautions:

Read all the instructions and warnings carefully prior to using this product.

- Do not store the action camera in a high temperature environment.
- Do not place the action camera near a fire or other excessively hot environments.
- Do not expose this action camera to moisture or submerge it in liquid. Keep action camera dry at all times.
- Do not attempt to charge the action camera using any other method or connection other than the action camera's provided charging cable.
- Do not disassemble this action camera or attempt to repair or modify it in any manner.
- Be cautious of excessive drops, bumps, abrasions or other impacts to this action camera. If there is any damage to the action camera such as dents, punctures, tears, deformities or corrosion, stop using the action camera and contact us immediately via email at [v.info@valore.sg](mailto:v.info@valore.sg), or return this product to the store where you have purchased it from.
- If the product produces an abnormal smell, high temperature (low temperature during normal use), discolours or changes shape abnormally, stop using the product and contact us immediately via email at [v.info@valore.sg](mailto:v.info@valore.sg).

### DISCLAIMER & TRADEMARKS

All information, trademarks, logos, graphics, and images ("Materials") provided on this user manual are copyrighted or trademarked and are the property of Valore Lifestyle Pte Ltd. Any unauthorized use of any material contained on the instruction manual may violate copyright laws, trademark laws, laws of privacy and communications statutes.

The trademarks, service marks and logos used and displayed in the Materials are registered and unregistered trademarks and service marks of Valore and others. All other registered and unregistered company names, product names and marks mentioned herein the ("Materials") are the property of their respective owners and may be trademarks or registered trademarks.



Inspired by Valore Singapore

For full range of Valore products visit [www.valore.sg](http://www.valore.sg)