

Thank you for purchasing the Valore LED Table Lamp (LTL07).

Slim and sleek, this lamp's precise construction allows for ultimate task-lighting control with 330° adjustability. The modern style for this lamp makes it an ideal addition for your work desk or bed side.

**Important:** Please read the user manual thoroughly before using your table lamp.

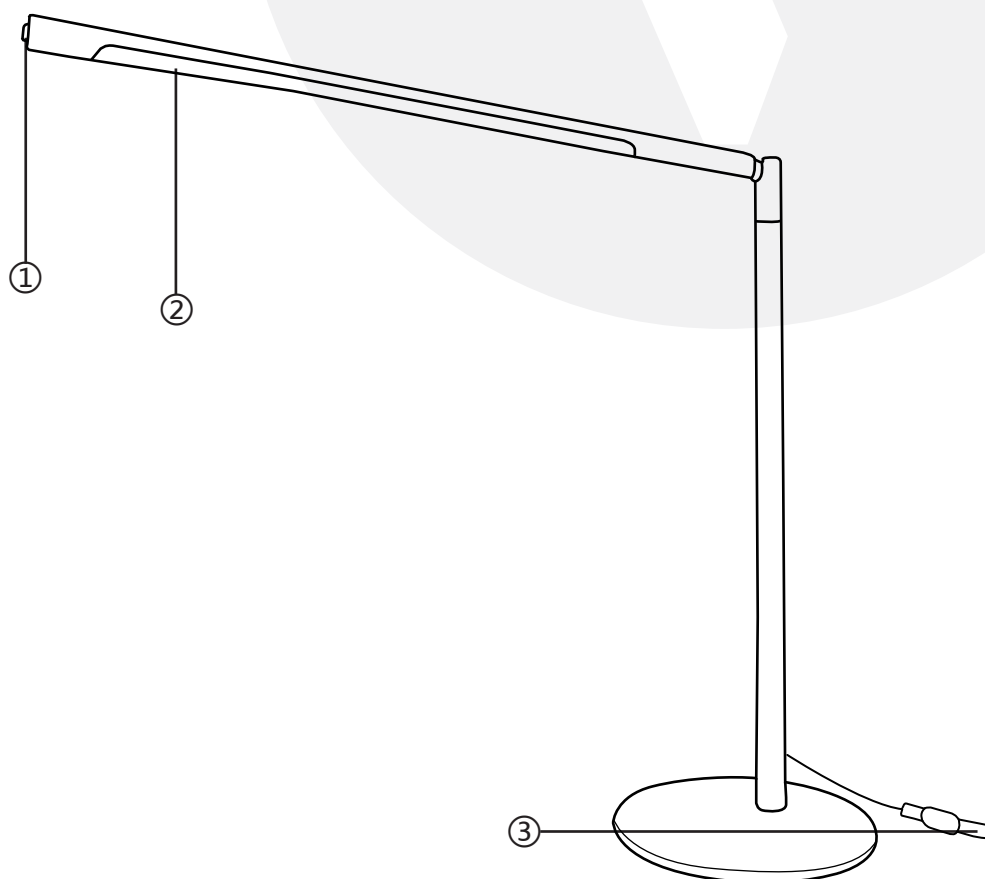
## Specifications:

- Voltage: AC100V – 240V
- Power input:
  - DC12V/1.5A (max) (adaptor)
  - DC5V/2A (max) (USB charging)
- Light type: 2835 LED chip
- Colour temperature: 5500K – 6000K
- Illumination: 60 – 480lm
- Material: Iron (Chrome plated)
- Dimensions (L x W x H): 155 x 155 x 395mm
- Weight: 1050g

## Package Contents:

- LED tube
- USB charging cable
- Adaptor
- Allen key

## UNDERSTANDING THE PRODUCT



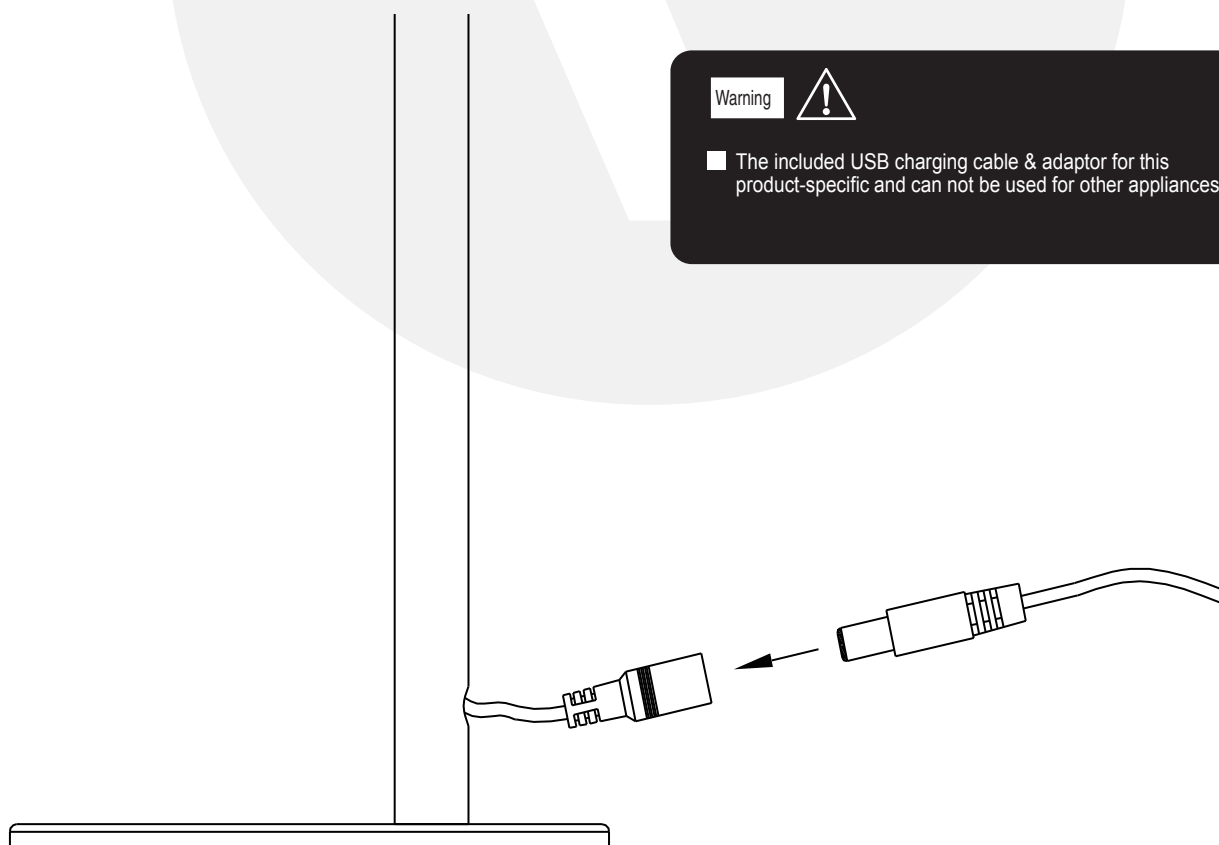
- ① On/Off switch
- ② LED light
- ③ DC charging port

Attach the LED light tube to the lamp body, as shown below.

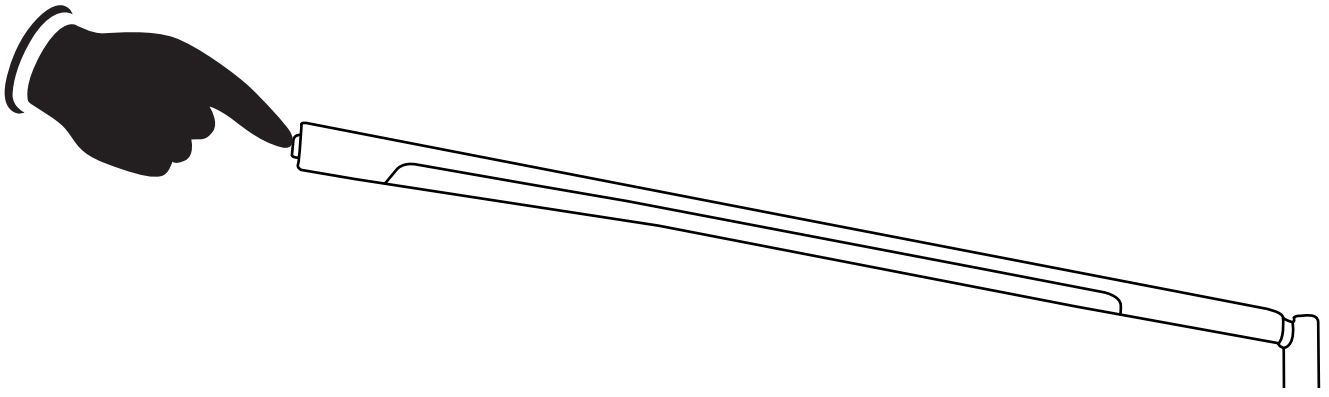


## START USING THE LED TABLE LAMP

Connect the USB charging cable / adaptor into the DC port on the rear of the lamp to power.



Switch on the LED table lamp by pressing the On/Off switch located at the end of the LED tube.



## TECHNICAL SUPPORT & WARRANTY

- For Technical Support, email us at [v.info@valore.sg](mailto:v.info@valore.sg).
- For Warranty Registration, visit [www.valore.sg](http://www.valore.sg).

### Cautions:

Read all the instructions and warnings carefully prior to using this product.

- Do not store the table lamp in a high temperature environment.
- Do not place the table lamp near a fire or other excessively hot environments.
- Do not expose its table lamp to moisture or submerge it in liquid. Keep table lamp dry at all times.
- Do not attempt to charge the table lamp using any other method or connection other than the table lamp's provided charging cable.
- Do not disassemble this table lamp or attempt to repair or modify it in any manner.
- Be cautious of excessive drops, bumps, abrasions or other impacts to this table lamp. If there is any damage to the table lamp such as dents, punctures, tears, deformities or corrosion, stop using the table lamp and contact us immediately via email at [v.info@valore.sg](mailto:v.info@valore.sg), or return this product to the store where you have purchased it from.
- If the product produces an abnormal smell, high temperature (low temperature during normal use), discolours or changes shape abnormally, stop using the product and contact us immediately via email at [v.info@valore.sg](mailto:v.info@valore.sg).

### DISCLAIMER & TRADEMARKS

All information, trademarks, logos, graphics, and images ("Materials") provided on this user manual are copyrighted or trademarked and are the property of Valore Lifestyle Pte Ltd. Any unauthorized use of any material contained on the instruction manual may violate copyright laws, trademark laws, laws of privacy and communications statutes.

The trademarks, service marks and logos used and displayed in the Materials are registered and unregistered trademarks and service marks of Valore and others. All other registered and unregistered company names, product names and marks mentioned herein the ("Materials") are the property of their respective owners and may be trademarks or registered trademarks.